



Chipsmall Limited consists of a professional team with an average of over 10 year of expertise in the distribution of electronic components. Based in Hongkong, we have already established firm and mutual-benefit business relationships with customers from,Europe,America and south Asia,supplying obsolete and hard-to-find components to meet their specific needs.

With the principle of “Quality Parts,Customers Priority,Honest Operation,and Considerate Service”,our business mainly focus on the distribution of electronic components. Line cards we deal with include Microchip,ALPS,ROHM,Xilinx,Pulse,ON,Everlight and Freescale. Main products comprise IC,Modules,Potentiometer,IC Socket,Relay,Connector.Our parts cover such applications as commercial,industrial, and automotives areas.

We are looking forward to setting up business relationship with you and hope to provide you with the best service and solution. Let us make a better world for our industry!



Contact us

Tel: +86-755-8981 8866 Fax: +86-755-8427 6832

Email & Skype: info@chipsmall.com Web: www.chipsmall.com

Address: A1208, Overseas Decoration Building, #122 Zhenhua RD., Futian, Shenzhen, China



SMD Tactile Switch

B3FS-4

12 × 12-mm Surface-mounting Switches for High-density Mounting

- Surface-mounting device of B3F-4000 series.
- Distinctive snapping action and extended mechanical/electrical durability.
- Available in embossed tapping packages for automatic mounting.
- B32-series Key Tops mount to models with projected plungers.

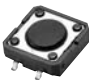

RoHS Compliant



Ordering Information

List of Models

12 × 12 mm Models

| Type | Contact material | Plunger type | Height | Operating force (OF) | Plunger color | Embossed taping | |
|------------------|------------------|---|--------|----------------------|---------------|-------------------|----------------------|
| | | | | | | Model | Minimum packing unit |
| B3FS-4000 Series | Silver plated |  | 4.3 mm | 1.47 N | Black | B3FS-4002P | 1,000 |
| | | | | 2.55 N | | B3FS-4005P | |
| | |  | 7.3 mm | 1.47 N | | B3FS-4052P | 500 |
| | | | | 2.55 N | | B3FS-4055P | |

Note: Order in multiples of the minimum order unit. Switches are not sold individually.

Specifications

Ratings/Characteristics

| | |
|---|---|
| Rating (resistive load) | 1 to 50 mA, 3 to 24 VDC |
| Minimum applicable load (reference value) | 10 μA at 1 VDC (resistive load) |
| Ambient operating temperature | -25 to +70 degC at 60%RH max. (with no icing or condensation) |
| Ambient operating humidity | 35 to 85%RH (at +5 to +35 degC) |
| Contact configuration | SPST-NO |
| Contact resistance (initial value) | 100 mΩ max. |
| Insulation resistance | 100 MΩ (at 250 VDC with insulation tester) |
| Dielectric strength | 500 VAC 50/60 Hz for 1 min |
| Vibration resistance | Malfunction: 10 to 55 Hz, 1.5-mm double amplitude |
| Shock resistance | Destruction: 1,000 m/s ² {approx. 100 G} max. Malfunction: 100 m/s ² {approx. 10 G} max. |
| Durability | 3,000,000 operations min. (OF: 1.47 N {150 gf}) 1,000,000 operations min. (OF: 2.55 N {260 gf}) |
| Weight | Approx. 1 g |
| Degree of protection | IEC IP00 |
| Washing | Not possible |

Operating Characteristics

| Item | Type | B3FS-4000 Series | |
|----------------------|-------|-------------------------|-------------------------|
| | | Operating force (OF) | Model |
| Operating force (OF) | Model | 1.47 N | B3FS-40□2P |
| | | 2.55 N | B3FS-40□5P |
| Operating force (OF) | | 1.47±0.49 N {150±50 gf} | 2.55±0.69 N {260±70 gf} |
| Releasing force (RF) | | 0.15 N {15 gf} min. | 0.29 N {30 gf} min. |
| Pretravel (PT) | | 0.25±0.15 mm | 0.25±0.15 mm |

■ Dimensions

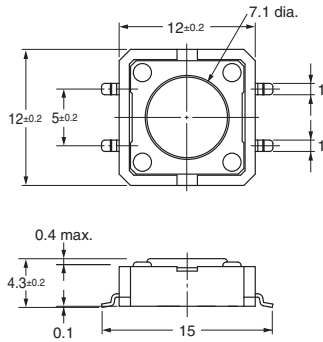
Note: 1. All units are in millimeters unless otherwise indicated. Unless otherwise specified, a tolerance of ± 0.4 mm applies to all dimensions.

Note: 2. The numbers used for terminals in the following graphics are indicated in the "Bottom View" diagram in the right. In this diagram, the Switch is rotated so that the terminals are on the right and left-hand sides, and the OMRON logo appears the right way up.

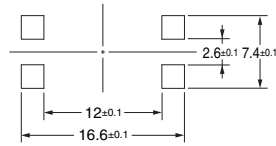


● Flat type

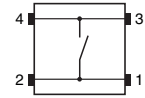
B3FS-4002P
B3FS-4005P



PCB Pad (Example)
(TOP VIEW)
(PCB t= 1.6)

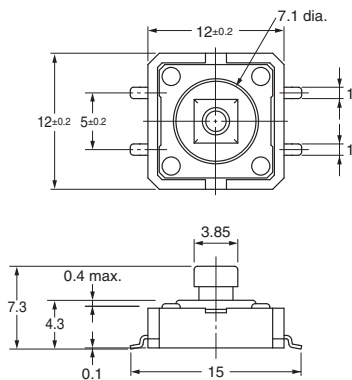


Terminal Arrangement/
Internal Connection
(Top View)

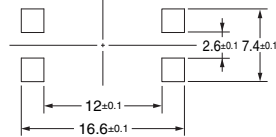


● Projected type

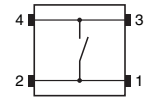
B3FS-4052P
B3FS-4055P



PCB Pad (Example)
(TOP VIEW)
(PCB t= 1.6)



Terminal Arrangement/
Internal Connection
(Top View)



■ Key Tops

B32-series Key Tops are available for projected plungers. Refer to the Datasheet of B32 for details.

■ Precautions

Be sure to read the safety precautions common to all Tactile Switches for correct use.

- Application examples provided in this document are for reference only. In actual applications, confirm equipment functions and safety before using the product.
- Consult your OMRON representative before using the product under conditions which are not described in the manual or applying the product to nuclear control systems, railroad systems, aviation systems, vehicles, combustion systems, medical equipment, amusement machines, safety equipment, and other systems or equipment that may have a serious influence on lives and property if used improperly. Make sure that the ratings and performance characteristics of the product provide a margin of safety for the system or equipment, and be sure to provide the system or equipment with double safety mechanisms.

Note: Do not use this document to operate the Unit.