



Chipsmall Limited consists of a professional team with an average of over 10 year of expertise in the distribution of electronic components. Based in Hongkong, we have already established firm and mutual-benefit business relationships with customers from,Europe,America and south Asia,supplying obsolete and hard-to-find components to meet their specific needs.

With the principle of "Quality Parts,Customers Priority,Honest Operation,and Considerate Service",our business mainly focus on the distribution of electronic components. Line cards we deal with include Microchip,ALPS,ROHM,Xilinx,Pulse,ON,Everlight and Freescale. Main products comprise IC,Modules,Potentiometer,IC Socket,Relay,Connector.Our parts cover such applications as commercial,industrial, and automotives areas.

We are looking forward to setting up business relationship with you and hope to provide you with the best service and solution. Let us make a better world for our industry!



Contact us

Tel: +86-755-8981 8866 Fax: +86-755-8427 6832

Email & Skype: info@chipsmall.com Web: www.chipsmall.com

Address: A1208, Overseas Decoration Building, #122 Zhenhua RD., Futian, Shenzhen, China



Aluminum electrolytic capacitors

Snap-in capacitors

Series/Type: B43547

Date: December 2016

© EPCOS AG 2016. Reproduction, publication and dissemination of this publication, enclosures hereto and the information contained therein without EPCOS' prior express consent is prohibited.

EPCOS AG is a TDK Group Company.

Long-life grade capacitors

Applications

- Frequency converters
- Solar inverters
- Uninterruptible power supplies
- Professional power supplies
- Medical appliances

Features

- Outstanding ripple current capability
- Base cooling available upon request for case sizes with diameters of 30 to 35 mm and lengths of 35 to 55 mm
- Very long useful life
- High CV product, compact
- High reliability
- Extremely improved performance at high frequencies
- Outstanding low ESR at operating conditions above 50 °C
- Optimized internal thermal resistance
- Capacitors with all insulation versions pass the needle flame test according to IEC 60695-11-5 for all flame exposure times up to 120 s
- RoHS-compatible

Construction

- Charge/discharge-proof, polar
- Aluminum case, fully insulated with PET or PVC
- Version with additional PET insulation cap on terminal side available for insulating the capacitor from the PCB
- Snap-in solder pins to hold component in place on PC-board
- Minus pole marking on case surface
- Minus pole not insulated from case
- Overload protection by safety vent on the case wall

Terminals

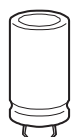
- Standard version with 2 terminals,
2 lengths available: 6.3 and 4.5 mm
- 3 terminals to ensure correct insertion: length 4.5 mm




Specifications and characteristics in brief

Rated voltage V_R	200 ... 500 V DC		
Surge voltage V_S	1.15 · V_R (for $V_R \leq 250$ V DC) 1.10 · V_R (for $V_R \geq 400$ V DC)		
Rated capacitance C_R	56 ... 2200 μ F		
Capacitance tolerance	$\pm 20\%$ \triangleq M		
Dissipation factor $\tan \delta$ (20 °C, 120 Hz)	$V_R \leq 400$ V DC: $\tan \delta \leq 0.15$ $V_R > 400$ V DC: $\tan \delta \leq 0.20$		
Leakage current I_{leak} (5 min, 20 °C)	$I_{leak} \leq 0.3 \mu\text{A} \cdot \left(\frac{C_R}{\mu\text{F}} \cdot \frac{V_R}{V} \right)^{0.7} + 4 \mu\text{A}$		
Self-inductance ESL	Approx. 20 nH		
Useful life ¹⁾ 105 °C; V_R ; $I_{AC,R}$	> 8000 h	Requirements: $ \Delta C/C \leq 20\%$ of initial value $\tan \delta \leq 2$ times initial specified limit $I_{leak} \leq$ initial specified limit	
Voltage endurance test 105 °C; V_R	3000 h	Post test requirements: $ \Delta C/C \leq 10\%$ of initial value $\tan \delta \leq 1.3$ times initial specified limit $I_{leak} \leq$ initial specified limit	
Vibration resistance test	To IEC 60068-2-6, test Fc: Frequency range 10 Hz ... 55 Hz, displacement amplitude 0.35 mm, acceleration max. 5 g, duration 3 × 2 h. Capacitor mounted by its body which is rigidly clamped to the work surface.		
Characteristics at low temperature	Max. impedance ratio at 100 Hz	V_R	≤ 400 V 450 V 500 V
		$Z_{-25^\circ\text{C}} / Z_{20^\circ\text{C}}$	3 5 7
		$Z_{-40^\circ\text{C}} / Z_{20^\circ\text{C}}$	7 10 14
IEC climatic category	To IEC 60068-1: $V_R \leq 450$ V DC: 40/105/56 (–40 °C/+105 °C/56 days damp heat test) $V_R = 500$ V DC: 25/105/56 (–25 °C/+105 °C/56 days damp heat test) The capacitors can be operated in the temperature range of –40 °C to +105 °C but the impedance at –40 °C must be taken into consideration.		
Detail specification	Similar to CECC 30301-809		
Sectional specification	IEC 60384-4		

1) Refer to chapter "General technical information, 5 Useful life" on how to interpret useful life.

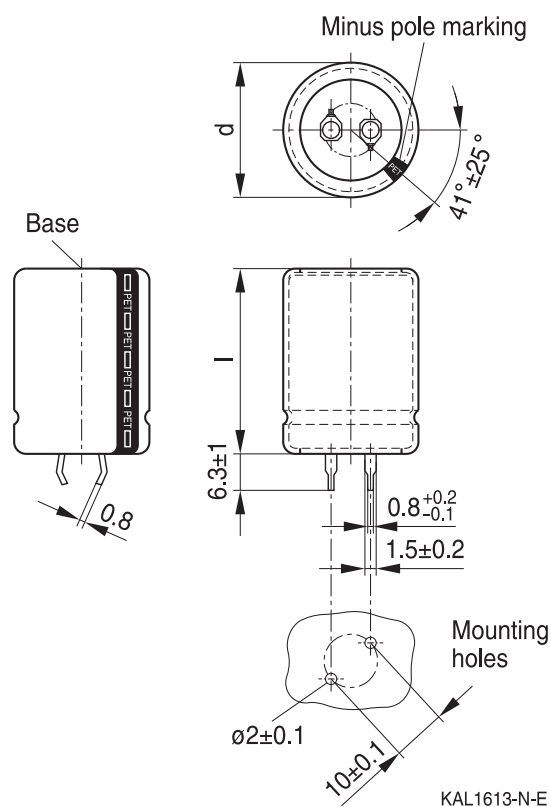


B43547

Outstanding ripple current, compact – 105 °C

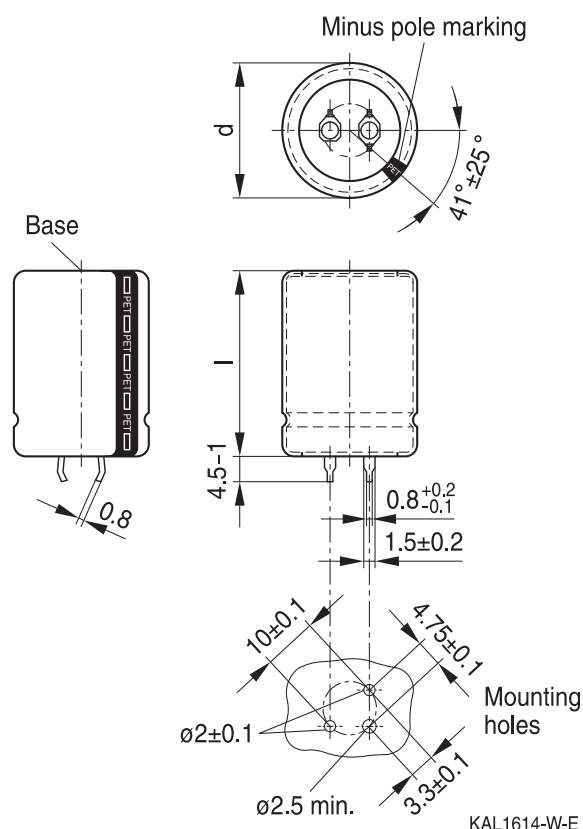
Dimensional drawings

Snap-in capacitors with standard insulation (PET or PVC)



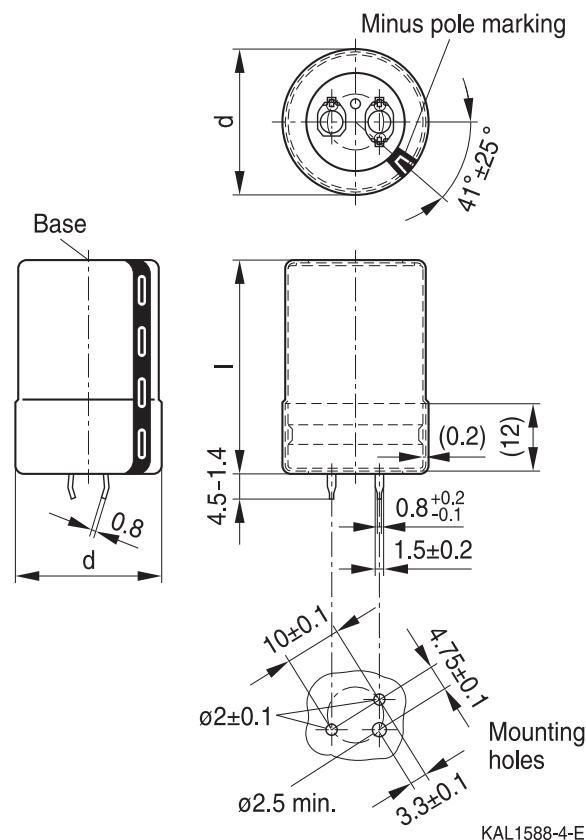
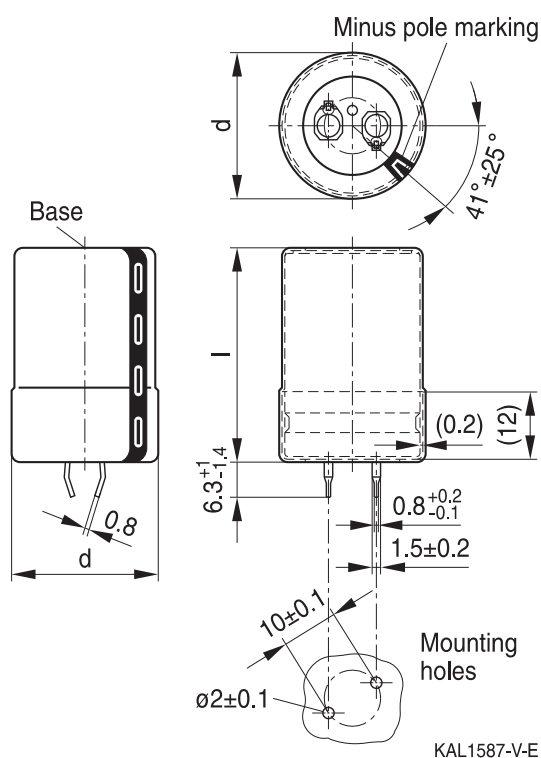
Snap-in terminals, length (6.3 ± 1) mm. Also available in a shorter version with a length of ($4.5 - 1$) mm. PET insulation is marked with "PET" on the sleeve. Safety vent on the case wall.

Dimensions (mm)		Approx. weight (g)	Packing units (pcs.)
d +1	l ±2		
25	25	13	130
25	30	17	130
25	35	19	130
25	40	22	130
25	45	25	130
25	50	29	130
25	55	32	130



Snap-in capacitors are also available with 3 terminals (length ($4.5 - 1$) mm). PET insulation is marked with "PET" on the sleeve. Safety vent on the case wall.

Dimensions (mm)		Approx. weight (g)	Packing units (pcs.)
d +1	l ±2		
30	25	17	80
30	30	23	80
30	35	29	80
30	40	36	80
30	45	41	80
30	50	46	80
30	55	53	80
35	25	22	60
35	30	29	60
35	35	36	60
35	40	41	60
35	45	56	60
35	50	70	60
35	55	81	60

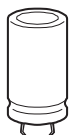

Snap-in capacitors with PVC insulation and PET insulation cap on terminal side


Snap-in terminals, length (6.3 +1/-1.4) mm. Also available in a shorter version with a length of (4.5 -1.4) mm. PET insulation cap is positioned under the insulation sleeve. Safety vent on the case wall.

Dimensions (mm)		Approx. weight (g)	Packing units (pcs.)
d +1.4	l +2.2/-2		
25	25	13	115
25	30	17	115
25	35	19	115
25	40	22	115
25	45	25	115
25	50	29	115
25	55	32	115

Snap-in capacitors are also available with 3 terminals (length (4.5 -1.4) mm). PET insulation cap is positioned under the insulation sleeve. Safety vent on the case wall.

Dimensions (mm)		Approx. weight (g)	Packing units (pcs.)
d +1.4	l +2.2/-2		
30	25	17	80
30	30	23	80
30	35	29	80
30	40	36	80
30	45	41	80
30	50	46	80
30	55	53	80
35	25	22	60
35	30	29	60
35	35	36	60
35	40	41	60
35	45	56	60
35	50	70	60
35	55	81	60



B43547

Outstanding ripple current, compact – 105 °C

Packing of snap-in capacitors



For ecological reasons the packing is pure cardboard.

Ordering codes for terminal styles and insulation features

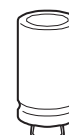
Identification in 3rd block of ordering code

Snap-in capacitors

Terminal version	Insulation version		
	PVC	PET	PVC plus PET cap
Standard terminals 6.3 mm	M000	M060	M080
Short terminals 4.5 mm	M007	M067	M087
3 terminals 4.5 mm	M002	M062	M082

Ordering examples:

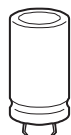
- B43547A5107M007 } snap-in capacitor with short terminals and PVC insulation
- B43547A5107M062 } snap-in capacitor with 3 terminals and PET insulation
- B43547A5107M080 } snap-in capacitor with standard terminals and PVC insulation with additional PET insulation cap on terminal side



Overview of available types

The capacitance and voltage ratings listed below are available in different case sizes upon request. Other voltage and capacitance ratings are also available upon request.

V_R (V DC)	200	250	400	450	500
	Case dimensions $d \times l$ (mm)				
C_R (μ F)					
56					25 × 25
68					25 × 30
82				25 × 25	25 × 30 30 × 25
100			25 × 25	25 × 30	25 × 35 30 × 30
120			25 × 30	25 × 35 30 × 25	25 × 40 30 × 30 35 × 25
150			25 × 35 30 × 25	25 × 40 30 × 30 35 × 25	25 × 45 30 × 35 35 × 30
180			25 × 35 30 × 30	25 × 45 30 × 35 35 × 30	25 × 55 30 × 40 35 × 35
220		25 × 25	25 × 45 30 × 35 35 × 25	25 × 50 30 × 40 35 × 30	30 × 45 35 × 35
270		25 × 30	25 × 50 30 × 35 35 × 30	30 × 45 35 × 35	30 × 55 35 × 40
330	25 × 25	25 × 30 30 × 25	25 × 55 30 × 40 35 × 35	30 × 50 35 × 40	35 × 50
390	25 × 30	25 × 35 30 × 30	30 × 50 35 × 40	30 × 55 35 × 45	35 × 55
470	25 × 30 30 × 25	25 × 40 30 × 30 35 × 25	30 × 55 35 × 45	35 × 50	
560	25 × 35 30 × 30	25 × 45 30 × 35 35 × 30	35 × 50	35 × 55	
680	25 × 40 30 × 30 35 × 25	25 × 50 30 × 40 35 × 30	35 × 55		



B43547

Outstanding ripple current, compact – 105 °C

Overview of available types

The capacitance and voltage ratings listed below are available in different case sizes upon request. Other voltage and capacitance ratings are also available upon request.

V_R (V DC)	200	250	400	450	500
	Case dimensions $d \times l$ (mm)				
C_R (μF)					
820	25 × 45 30 × 35 35 × 30	30 × 45 35 × 35			
1000	25 × 50 30 × 40 35 × 30	30 × 50 35 × 40			
1200	30 × 45 35 × 35	35 × 45			
1500	30 × 50 35 × 40	35 × 55			
1800	35 × 45				
2200	35 × 55				


Technical data and ordering codes

C_R 100 Hz 20 °C μF	Case dimensions $d \times l$ mm	ESR_{typ} 100 Hz 20 °C $\text{m}\Omega$	ESR_{typ} 300 Hz 60 °C $\text{m}\Omega$	Z_{max} 10 kHz 20 °C $\text{m}\Omega$	$I_{\text{AC,max}}$ 100 Hz 60 °C A	$I_{\text{AC,max}}$ 100 Hz 85 °C A	$I_{\text{AC,R}}$ 100 Hz 105 °C A	Ordering code (composition see below)
$V_R = 200 \text{ V DC}$								
330	25 × 25	210	80	280	3.32	2.45	1.32	B43547A2337M0*#
390	25 × 30	170	60	230	3.79	2.80	1.51	B43547A2397M0*#
470	25 × 30	150	55	200	4.16	3.08	1.65	B43547A2477M0*#
470	30 × 25	140	45	190	4.65	3.43	1.85	B43547B2477M0*#
560	25 × 35	120	45	170	4.75	3.52	1.89	B43547A2567M0*#
560	30 × 30	120	40	160	5.26	3.89	2.10	B43547B2567M0*#
680	25 × 40	100	40	140	5.45	4.03	2.17	B43547A2687M0*#
680	30 × 30	100	34	130	5.86	4.33	2.33	B43547B2687M0*#
680	35 × 25	100	40	140	5.90	4.36	2.34	B43547C2687M0*#
820	25 × 45	85	34	120	6.22	4.60	2.47	B43547A2827M0*#
820	30 × 35	80	28	110	6.69	4.94	2.66	B43547B2827M0*#
820	35 × 30	85	30	110	6.80	5.03	2.88	B43547C2827M0*#
1000	25 × 50	70	28	95	7.13	5.28	2.84	B43547A2108M0*#
1000	30 × 40	65	24	90	7.69	5.69	3.26	B43547B2108M0*#
1000	35 × 30	70	28	95	7.43	5.49	3.14	B43547C2108M0*#
1200	30 × 45	55	20	75	8.73	6.46	3.70	B43547A2128M0*#
1200	35 × 35	60	22	80	8.47	6.26	3.58	B43547B2128M0*#
1500	30 × 50	45	16	60	10.1	7.53	4.31	B43547A2158M0*#
1500	35 × 40	45	19	65	9.77	7.23	4.13	B43547B2158M0*#
1800	35 × 45	40	16	55	11.0	8.17	4.67	B43547A2188M0*#
2200	35 × 55	32	13	45	12.9	9.54	5.46	B43547A2228M0*#

Composition of ordering code

* = Insulation feature

0 = PVC insulation

6 = PET insulation

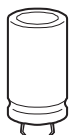
8 = PVC insulation with additional PET insulation
cap on terminal side

= Terminal style

0 = snap-in standard terminals (6.3 mm)

2 = snap-in 3 terminals (4.5 mm)

7 = snap-in short terminals (4.5 mm)



B43547

Outstanding ripple current, compact – 105 °C

Technical data and ordering codes

C_R 100 Hz 20 °C μF	Case dimensions $d \times l$ mm	ESR_{typ} 100 Hz 20 °C $\text{m}\Omega$	ESR_{typ} 300 Hz 60 °C $\text{m}\Omega$	Z_{max} 10 kHz 20 °C $\text{m}\Omega$	$I_{\text{AC,max}}$ 100 Hz 60 °C A	$I_{\text{AC,max}}$ 100 Hz 85 °C A	$I_{\text{AC,R}}$ 100 Hz 105 °C A	Ordering code (composition see below)
$V_R = 250 \text{ V DC}$								
220	25 × 25	320	110	440	2.77	2.04	1.10	B43547E2227M0*#
270	25 × 30	260	85	350	3.20	2.37	1.28	B43547E2277M0*#
330	25 × 30	220	75	300	3.58	2.65	1.42	B43547E2337M0*#
330	30 × 25	210	65	280	3.93	2.90	1.56	B43547F2337M0*#
390	25 × 35	180	65	250	4.06	3.00	1.61	B43547E2397M0*#
390	30 × 30	170	55	240	4.42	3.27	1.76	B43547F2397M0*#
470	25 × 40	150	55	210	4.64	3.43	1.85	B43547E2477M0*#
470	30 × 30	150	50	200	4.93	3.64	1.96	B43547F2477M0*#
470	35 × 25	150	55	210	5.02	3.71	1.99	B43547G2477M0*#
560	25 × 45	130	45	180	5.27	3.89	2.10	B43547E2567M0*#
560	30 × 35	120	40	170	5.58	4.12	2.22	B43547F2567M0*#
560	35 × 30	120	40	170	5.72	4.23	2.43	B43547G2567M0*#
680	25 × 50	110	40	150	6.05	4.47	2.41	B43547E2687M0*#
680	30 × 40	100	32	140	6.40	4.73	2.71	B43547F2687M0*#
680	35 × 30	110	40	150	6.31	4.66	2.67	B43547G2687M0*#
820	30 × 45	85	28	120	7.30	5.39	3.09	B43547E2827M0*#
820	35 × 35	85	32	120	7.19	5.31	3.04	B43547F2827M0*#
1000	30 × 50	70	24	95	8.40	6.20	3.56	B43547E2108M0*#
1000	35 × 40	70	26	100	8.21	6.07	3.48	B43547F2108M0*#
1200	35 × 45	60	22	85	9.29	6.87	3.93	B43547E2128M0*#
1500	35 × 55	50	17	70	10.9	8.10	4.64	B43547E2158M0*#

Composition of ordering code

* = Insulation feature

0 = PVC insulation

6 = PET insulation

8 = PVC insulation with additional PET insulation
cap on terminal side

= Terminal style

0 = snap-in standard terminals (6.3 mm)

2 = snap-in 3 terminals (4.5 mm)

7 = snap-in short terminals (4.5 mm)


Technical data and ordering codes

C_R 100 Hz 20 °C μF	Case dimensions $d \times l$ mm	ESR_{typ} 100 Hz 20 °C $\text{m}\Omega$	ESR_{typ} 300 Hz 60 °C $\text{m}\Omega$	Z_{max} 10 kHz 20 °C $\text{m}\Omega$	$I_{\text{AC,max}}$ 100 Hz 60 °C A	$I_{\text{AC,max}}$ 100 Hz 85 °C A	$I_{\text{AC,R}}$ 100 Hz 105 °C A	Ordering code (composition see below)
$V_R = 400 \text{ V DC}$								
100	25 × 25	520	170	700	2.06	1.52	0.82	B43547A9107M0*#
120	25 × 30	430	140	580	2.34	1.73	0.93	B43547A9127M0*#
150	25 × 35	340	110	460	2.73	2.02	1.09	B43547A9157M0*#
150	30 × 25	340	110	460	2.88	2.13	1.14	B43547B9157M0*#
180	25 × 35	290	100	390	3.06	2.26	1.22	B43547A9187M0*#
180	30 × 30	280	90	380	3.26	2.41	1.30	B43547B9187M0*#
220	25 × 45	240	75	320	3.58	2.66	1.43	B43547A9227M0*#
220	30 × 35	230	75	310	3.73	2.76	1.49	B43547B9227M0*#
220	35 × 25	240	80	320	3.81	2.82	1.51	B43547C9227M0*#
270	25 × 50	190	65	260	4.15	3.07	1.65	B43547A9277M0*#
270	30 × 35	190	60	260	4.25	3.14	1.69	B43547B9277M0*#
270	35 × 30	190	65	260	4.40	3.25	1.86	B43547C9277M0*#
330	25 × 55	160	55	220	4.82	3.57	1.92	B43547A9337M0*#
330	30 × 40	160	50	210	4.91	3.63	2.08	B43547B9337M0*#
330	35 × 35	160	50	210	5.02	3.72	2.13	B43547C9337M0*#
390	30 × 50	130	40	180	5.57	4.13	2.36	B43547A9397M0*#
390	35 × 40	130	45	180	5.62	4.16	2.38	B43547B9397M0*#
470	30 × 55	110	36	150	6.38	4.72	2.71	B43547A9477M0*#
470	35 × 45	110	36	150	6.37	4.72	2.70	B43547B9477M0*#
560	35 × 50	95	32	130	7.19	5.33	3.05	B43547A9567M0*#
680	35 × 55	75	26	110	8.23	6.09	3.49	B43547A9687M0*#

Composition of ordering code

* = Insulation feature

0 = PVC insulation

6 = PET insulation

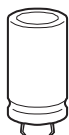
8 = PVC insulation with additional PET insulation
cap on terminal side

= Terminal style

0 = snap-in standard terminals (6.3 mm)

2 = snap-in 3 terminals (4.5 mm)

7 = snap-in short terminals (4.5 mm)



B43547

Outstanding ripple current, compact – 105 °C

Technical data and ordering codes

C_R 100 Hz 20 °C μF	Case dimensions $d \times l$ mm	ESR_{typ} 100 Hz 20 °C $\text{m}\Omega$	ESR_{typ} 300 Hz 60 °C $\text{m}\Omega$	Z_{max} 10 kHz 20 °C $\text{m}\Omega$	$I_{\text{AC,max}}$ 100 Hz 60 °C A	$I_{\text{AC,max}}$ 100 Hz 85 °C A	$I_{\text{AC,R}}$ 100 Hz 105 °C A	Ordering code (composition see below)
$V_R = 450 \text{ V DC}$								
82	25 × 25	920	250	1330	1.73	1.36	0.73	B43547B5826M0*#
100	25 × 30	750	200	1090	2.12	1.56	0.84	B43547A5107M0*#
120	25 × 35	630	170	910	2.41	1.78	0.96	B43547A5127M0*#
120	30 × 25	620	170	900	2.53	1.86	1.00	B43547B5127M0*#
150	25 × 40	500	140	730	2.82	2.08	1.12	B43547A5157M0*#
150	30 × 30	500	130	720	2.93	2.16	1.17	B43547B5157M0*#
150	35 × 25	500	140	730	3.07	2.26	1.22	B43547C5157M0*#
180	25 × 45	420	110	610	3.21	2.37	1.28	B43547A5187M0*#
180	30 × 35	410	110	600	3.32	2.45	1.32	B43547B5187M0*#
180	35 × 30	420	110	600	3.47	2.56	1.47	B43547C5187M0*#
220	25 × 50	340	95	500	3.73	2.75	1.48	B43547A5227M0*#
220	30 × 40	340	90	490	3.83	2.83	1.62	B43547B5227M0*#
220	35 × 30	340	95	500	3.91	2.88	1.65	B43547C5227M0*#
270	30 × 45	280	75	400	4.42	3.26	1.88	B43547A5277M0*#
270	35 × 35	280	75	410	4.48	3.31	1.90	B43547B5277M0*#
330	30 × 50	230	60	330	5.11	3.77	2.17	B43547A5337M0*#
330	35 × 40	230	65	330	5.14	3.79	2.18	B43547B5337M0*#
390	30 × 55	190	50	280	5.79	4.27	2.45	B43547A5397M0*#
390	35 × 45	190	55	280	5.77	4.25	2.44	B43547B5397M0*#
470	35 × 50	160	45	240	6.57	4.85	2.79	B43547A5477M0*#
560	35 × 55	140	40	200	7.27	5.37	3.08	B43547A5567M0*#

Composition of ordering code

* = Insulation feature

0 = PVC insulation

6 = PET insulation

8 = PVC insulation with additional PET insulation
cap on terminal side

= Terminal style

0 = snap-in standard terminals (6.3 mm)

2 = snap-in 3 terminals (4.5 mm)

7 = snap-in short terminals (4.5 mm)


Technical data and ordering codes

C_R 100 Hz 20 °C μF	Case dimensions $d \times l$ mm	ESR_{typ} 100 Hz 20 °C $\text{m}\Omega$	ESR_{typ} 300 Hz 60 °C $\text{m}\Omega$	Z_{max} 10 kHz 20 °C $\text{m}\Omega$	$I_{\text{AC,max}}$ 100 Hz 60 °C A	$I_{\text{AC,max}}$ 100 Hz 85 °C A	$I_{\text{AC,R}}$ 100 Hz 105 °C A	Ordering code (composition see below)
$V_R = 500 \text{ V DC}$								
56	25 × 25	1120	330	1500	1.18	1.11	0.52	B43547A6566M0*#
68	25 × 30	920	270	1230	1.43	1.27	0.60	B43547A6686M0*#
82	25 × 30	770	230	1030	1.73	1.42	0.67	B43547A6826M0*#
82	30 × 25	760	220	1020	1.73	1.51	0.71	B43547B6826M0*#
100	25 × 35	630	190	840	2.11	1.64	0.77	B43547A6107M0*#
100	30 × 30	620	180	830	2.11	1.73	0.82	B43547B6107M0*#
120	25 × 40	520	160	700	2.52	1.87	0.88	B43547A6127M0*#
120	30 × 30	520	150	700	2.53	1.94	0.91	B43547B6127M0*#
120	35 × 25	520	160	700	2.53	2.02	0.95	B43547C6127M0*#
150	25 × 45	420	120	560	2.96	2.20	1.04	B43547A6157M0*#
150	30 × 35	420	120	560	3.04	2.25	1.06	B43547B6157M0*#
150	35 × 30	420	120	560	3.16	2.34	1.18	B43547C6157M0*#
180	25 × 55	350	100	470	3.42	2.54	1.20	B43547A6187M0*#
180	30 × 40	350	100	470	3.45	2.56	1.29	B43547B6187M0*#
180	35 × 35	350	100	470	3.56	2.65	1.33	B43547C6187M0*#
220	30 × 45	280	85	380	3.98	2.95	1.49	B43547A6227M0*#
220	35 × 35	290	85	390	4.03	2.99	1.50	B43547B6227M0*#
270	30 × 55	230	65	310	4.65	3.45	1.74	B43547A6277M0*#
270	35 × 40	230	70	320	4.65	3.45	1.73	B43547B6277M0*#
330	35 × 50	190	55	260	5.36	3.99	2.01	B43547A6337M0*#
390	35 × 55	160	50	220	6.05	4.49	2.26	B43547A6397M0*#

Composition of ordering code

* = Insulation feature

0 = PVC insulation

6 = PET insulation

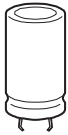
8 = PVC insulation with additional PET insulation
cap on terminal side

= Terminal style

0 = snap-in standard terminals (6.3 mm)

2 = snap-in 3 terminals (4.5 mm)

7 = snap-in short terminals (4.5 mm)



B43547

Outstanding ripple current, compact – 105 °C

Useful life¹⁾

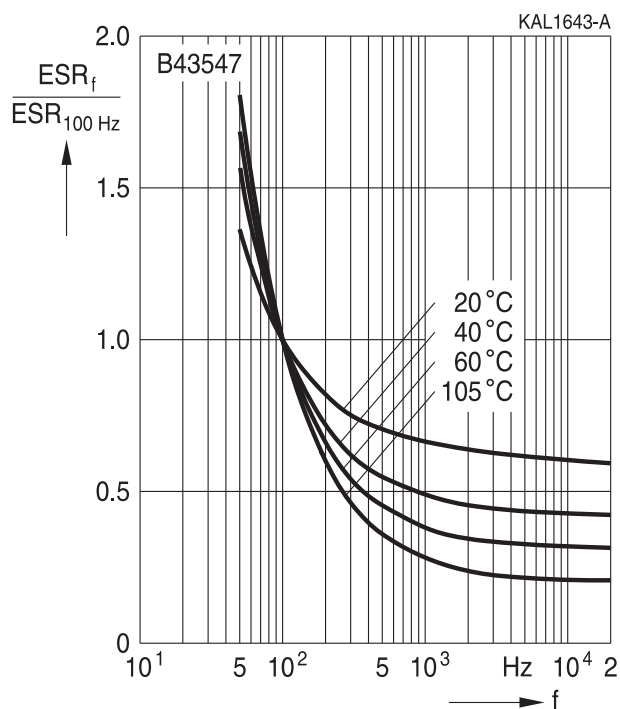
For useful life calculations, please use our web-based "AlCap Useful Life Calculation Tool", which can be found on the Internet under the following link:

http://www.epcos.com/designtools/alu_useful_life/Useful_life.swf

The AlCap Useful Life Calculation Tool provides calculations of useful life as well as additional data for selected capacitor types under operating conditions defined by the user.

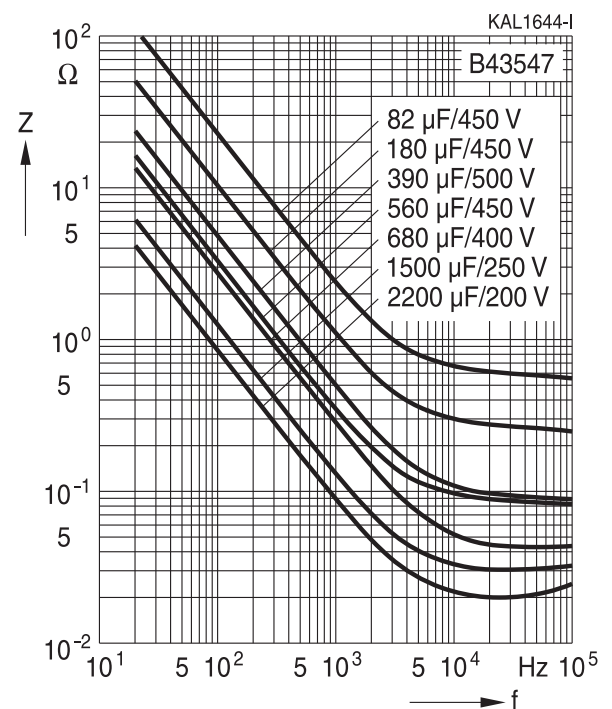
Frequency characteristics of ESR

Typical behavior



Impedance Z versus frequency f

Typical behavior at 20 °C



1) Refer to chapter "General technical information, 5 Useful life" on how to interpret useful life.



Cautions and warnings

Personal safety

The electrolytes used by EPCOS have been optimized both with a view to the intended application and with regard to health and environmental compatibility. They do not contain any solvents that are detrimental to health, e.g. dimethyl formamide (DMF) or dimethyl acetamide (DMAC).

Furthermore, some of the high-voltage electrolytes used by EPCOS are self-extinguishing.

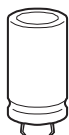
As far as possible, EPCOS does not use any dangerous chemicals or compounds to produce operating electrolytes, although in exceptional cases, such materials must be used in order to achieve specific physical and electrical properties because no alternative materials are currently known. We do, however, restrict the amount of dangerous materials used in our products to an absolute minimum.

Materials and chemicals used in EPCOS aluminum electrolytic capacitors are continuously adapted in compliance with the EPCOS Corporate Environmental Policy and the latest EU regulations and guidelines such as RoHS, REACH/SVHC, GADSL, and ELV.

MDS (Material Data Sheets) are available on the EPCOS website for all types listed in the data book. MDS for customer specific capacitors are available upon request.

MSDS (Material Safety Data Sheets) are available for all of our electrolytes upon request.

Nevertheless, the following rules should be observed when handling aluminum electrolytic capacitors: No electrolyte should come into contact with eyes or skin. If electrolyte does come into contact with the skin, wash the affected areas immediately with running water. If the eyes are affected, rinse them for 10 minutes with plenty of water. If symptoms persist, seek medical treatment. Avoid inhaling electrolyte vapor or mists. Workplaces and other affected areas should be well ventilated. Clothing that has been contaminated by electrolyte must be changed and rinsed in water.



B43547

Outstanding ripple current, compact – 105 °C

Product safety

The table below summarizes the safety instructions that must be observed without fail. A detailed description can be found in the relevant sections of chapter "General technical information".

Topic	Safety information	Reference chapter "General technical information"
Polarity	Make sure that polar capacitors are connected with the right polarity.	1 "Basic construction of aluminum electrolytic capacitors"
Reverse voltage	Voltages of opposite polarity should be prevented by connecting a diode.	3.1.6 "Reverse voltage"
Mounting position of screw-terminal capacitors	Screw terminal capacitors must not be mounted with terminals facing down unless otherwise specified.	11.1. "Mounting positions of capacitors with screw terminals"
Robustness of terminals	The following maximum tightening torques must not be exceeded when connecting screw terminals: M5: 2.5 Nm M6: 4.0 Nm	11.3 "Mounting torques"
Mounting of single-ended capacitors	The internal structure of single-ended capacitors might be damaged if excessive force is applied to the lead wires. Avoid any compressive, tensile or flexural stress. Do not move the capacitor after soldering to PC board. Do not pick up the PC board by the soldered capacitor. Do not insert the capacitor on the PC board with a hole space different to the lead space specified.	11.4 "Mounting considerations for single-ended capacitors"
Soldering	Do not exceed the specified time or temperature limits during soldering.	11.5 "Soldering"
Soldering, cleaning agents	Do not allow halogenated hydrocarbons to come into contact with aluminum electrolytic capacitors.	11.6 "Cleaning agents"
Upper category temperature	Do not exceed the upper category temperature.	7.2 "Maximum permissible operating temperature"
Passive flammability	Avoid external energy, e.g. fire.	8.1 "Passive flammability"

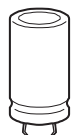


Topic	Safety information	Reference chapter "General technical information"
Active flammability	Avoid overload of the capacitors.	8.2 "Active flammability"
Maintenance	Make periodic inspections of the capacitors. Before the inspection, make sure that the power supply is turned off and carefully discharge the capacitors. Do not apply excessive mechanical stress to the capacitor terminals when mounting.	10 "Maintenance"
Storage	Do not store capacitors at high temperatures or high humidity. Capacitors should be stored at +5 to +35 °C and a relative humidity of ≤ 75%.	7.3 "Shelf life and storage conditions"
		Reference chapter "Capacitors with screw terminals"
Breakdown strength of insulating sleeves	Do not damage the insulating sleeve, especially when ring clips are used for mounting.	"Screw terminals – accessories"

Display of ordering codes for EPCOS products

The ordering code for one and the same product can be represented differently in data sheets, data books, other publications and the website of EPCOS, or in order-related documents such as shipping notes, order confirmations and product labels. The varying representations of the ordering codes are due to different processes employed and do not affect the specifications of the respective products.

Detailed information can be found on the Internet under www.epcos.com/orderingcodes.



B43547

Outstanding ripple current, compact – 105 °C

Symbols and terms

Symbol	English	German
C	Capacitance	Kapazität
C_R	Rated capacitance	Nennkapazität
C_S	Series capacitance	Serienkapazität
$C_{S,T}$	Series capacitance at temperature T	Serienkapazität bei Temperatur T
C_f	Capacitance at frequency f	Kapazität bei Frequenz f
d	Case diameter, nominal dimension	Gehäusedurchmesser, Nennmaß
d_{max}	Maximum case diameter	Maximaler Gehäusedurchmesser
ESL	Self-inductance	Eigeninduktivität
ESR	Equivalent series resistance	Ersatzserienwiderstand
ESR_f	Equivalent series resistance at frequency f	Ersatzserienwiderstand bei Frequenz f
ESR_T	Equivalent series resistance at temperature T	Ersatzserienwiderstand bei Temperatur T
f	Frequency	Frequenz
I	Current	Strom
I_{AC}	Alternating current (ripple current)	Wechselstrom
$I_{AC,RMS}$	Root-mean-square value of alternating current	Wechselstrom, Effektivwert
$I_{AC,f}$	Ripple current at frequency f	Wechselstrom bei Frequenz f
$I_{AC,max}$	Maximum permissible ripple current	Maximal zulässiger Wechselstrom
$I_{AC,R}$	Rated ripple current	Nennwechselstrom
I_{leak}	Leakage current	Reststrom
$I_{leak,op}$	Operating leakage current	Betriebsreststrom
l	Case length, nominal dimension	Gehäuselänge, Nennmaß
l_{max}	Maximum case length (without terminals and mounting stud)	Maximale Gehäuselänge (ohne Anschlüsse und Gewindebolzen)
R	Resistance	Widerstand
R_{ins}	Insulation resistance	Isolationswiderstand
R_{symm}	Balancing resistance	Symmetrierwiderstand
T	Temperature	Temperatur
ΔT	Temperature difference	Temperaturdifferenz
T_A	Ambient temperature	Umgebungstemperatur
T_C	Case temperature	Gehäusetemperatur
T_B	Capacitor base temperature	Temperatur des Gehäusebodens
t	Time	Zeit
Δt	Period	Zeitraum
t_b	Service life (operating hours)	Brauchbarkeitsdauer (Betriebszeit)



Symbol	English	German
V	Voltage	Spannung
V _F	Forming voltage	Formierspannung
V _{op}	Operating voltage	Betriebsspannung
V _R	Rated voltage, DC voltage	Nennspannung, Gleichspannung
V _S	Surge voltage	Spitzenspannung
X _C	Capacitive reactance	Kapazitiver Blindwiderstand
X _L	Inductive reactance	Induktiver Blindwiderstand
Z	Impedance	Scheinwiderstand
Z _T	Impedance at temperature T	Scheinwiderstand bei Temperatur T
tan δ	Dissipation factor	Verlustfaktor
λ	Failure rate	Ausfallrate
ε ₀	Absolute permittivity	Elektrische Feldkonstante
ε _r	Relative permittivity	Dielektrizitätszahl
ω	Angular velocity; 2 · π · f	Kreisfrequenz; 2 · π · f

Note

All dimensions are given in mm.

Important notes

The following applies to all products named in this publication:

1. Some parts of this publication contain **statements about the suitability of our products for certain areas of application**. These statements are based on our knowledge of typical requirements that are often placed on our products in the areas of application concerned. We nevertheless expressly point out **that such statements cannot be regarded as binding statements about the suitability of our products for a particular customer application**. As a rule, EPCOS is either unfamiliar with individual customer applications or less familiar with them than the customers themselves. For these reasons, it is always ultimately incumbent on the customer to check and decide whether an EPCOS product with the properties described in the product specification is suitable for use in a particular customer application.
2. We also point out that **in individual cases, a malfunction of electronic components or failure before the end of their usual service life cannot be completely ruled out in the current state of the art, even if they are operated as specified**. In customer applications requiring a very high level of operational safety and especially in customer applications in which the malfunction or failure of an electronic component could endanger human life or health (e.g. in accident prevention or lifesaving systems), it must therefore be ensured by means of suitable design of the customer application or other action taken by the customer (e.g. installation of protective circuitry or redundancy) that no injury or damage is sustained by third parties in the event of malfunction or failure of an electronic component.
3. **The warnings, cautions and product-specific notes must be observed.**
4. In order to satisfy certain technical requirements, **some of the products described in this publication may contain substances subject to restrictions in certain jurisdictions (e.g. because they are classed as hazardous)**. Useful information on this will be found in our Material Data Sheets on the Internet (www.epcos.com/material). Should you have any more detailed questions, please contact our sales offices.
5. We constantly strive to improve our products. Consequently, **the products described in this publication may change from time to time**. The same is true of the corresponding product specifications. Please check therefore to what extent product descriptions and specifications contained in this publication are still applicable before or when you place an order. We also **reserve the right to discontinue production and delivery of products**. Consequently, we cannot guarantee that all products named in this publication will always be available. The aforementioned does not apply in the case of individual agreements deviating from the foregoing for customer-specific products.
6. Unless otherwise agreed in individual contracts, **all orders are subject to the current version of the "General Terms of Delivery for Products and Services in the Electrical Industry" published by the German Electrical and Electronics Industry Association (ZVEI)**.

Important notes

7. The trade names EPCOS, CeraDiode, CeraLink, CeraPad, CeraPlas, CSMP, CSSP, CTVS, DeltaCap, DigiSiMic, DSSP, ExoCore, FilterCap, FormFit, LeaXield, MiniBlue, MiniCell, MKD, MKK, MotorCap, PCC, PhaseCap, PhaseCube, PhaseMod, PhiCap, PQSine, SIFERRIT, SIFI, SIKOREL, SilverCap, SIMDAD, SiMic, SIMID, SineFormer, SIOV, SIP5D, SIP5K, TFAP, ThermoFuse, WindCap are **trademarks registered or pending** in Europe and in other countries. Further information will be found on the Internet at www.epcos.com/trademarks.