



Chipsmall Limited consists of a professional team with an average of over 10 year of expertise in the distribution of electronic components. Based in Hongkong, we have already established firm and mutual-benefit business relationships with customers from,Europe,America and south Asia,supplying obsolete and hard-to-find components to meet their specific needs.

With the principle of “Quality Parts,Customers Priority,Honest Operation,and Considerate Service”,our business mainly focus on the distribution of electronic components. Line cards we deal with include Microchip,ALPS,ROHM,Xilinx,Pulse,ON,Everlight and Freescale. Main products comprise IC,Modules,Potentiometer,IC Socket,Relay,Connector.Our parts cover such applications as commercial,industrial, and automotives areas.

We are looking forward to setting up business relationship with you and hope to provide you with the best service and solution. Let us make a better world for our industry!



## Contact us

Tel: +86-755-8981 8866 Fax: +86-755-8427 6832

Email & Skype: info@chipsmall.com Web: www.chipsmall.com

Address: A1208, Overseas Decoration Building, #122 Zhenhua RD., Futian, Shenzhen, China



# Titanis 2.4 GHz Swivel SMA Antenna

Part No. B4844 / B4844-R

gigaNOVA®

Product Specification

## 1 Features

- Designed for 2.4 GHz applications: Bluetooth®, Wi-Fi® (802.11a/b/g/n), ZigBee®, etc.
- Antenna with a SMA male connector
- Also available as SMA reverse thread to meet FCC regulations, part 15
- High efficiency
- Supplied in bulk

## 2 Description

Titanis is intended for use with all 2.4 GHz applications. The antenna is fitted with a SMA male connector and a blade made of flexible material that can be rotated 360 degree.

No external matching network required.

## 3 Applications

- Development tools
- Test equipment
- Access points, routers, etc
- Printers



## 4 Part number

**Standard SMA – male: B4844**

**Reverse thread SMA – male: B4844-R**

## 5 General data

<b>Product name</b>	Titanis 2.4 GHz
<b>Part Number</b>	B4844 (Standard SMA – male)
	B4844-R (Reverse thread SMA – male)
<b>Frequency</b>	2.4 – 2.5 GHz
<b>Polarization</b>	Linear
<b>Operating temperature</b>	-40 °C to +85 °C
<b>Impedance</b>	50 Ω
<b>Weight</b>	7.1 g
<b>Antenna type</b>	<sup>1</sup> Swivel external
<b>Dimensions</b>	20 x 19.5 x 62.5 [mm]

<sup>1</sup>The blade of the antenna is the only part that swivels. DO NOT twist the plastic housing of the antenna blade. The housing is NOT designed to twist or turn and any attempt to do so will likely result in permanent damage to the antenna and its performance and will not be covered by warranty. Installation and removal of the antenna should only be done by turning the metal SMA connector.

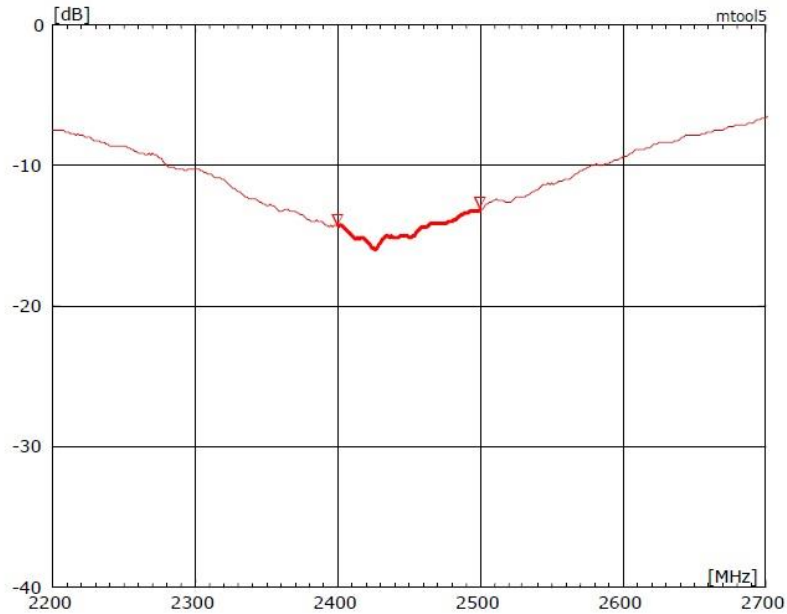
Titanis is not suitable for outdoor use or applications.

## 6 Electrical characteristics

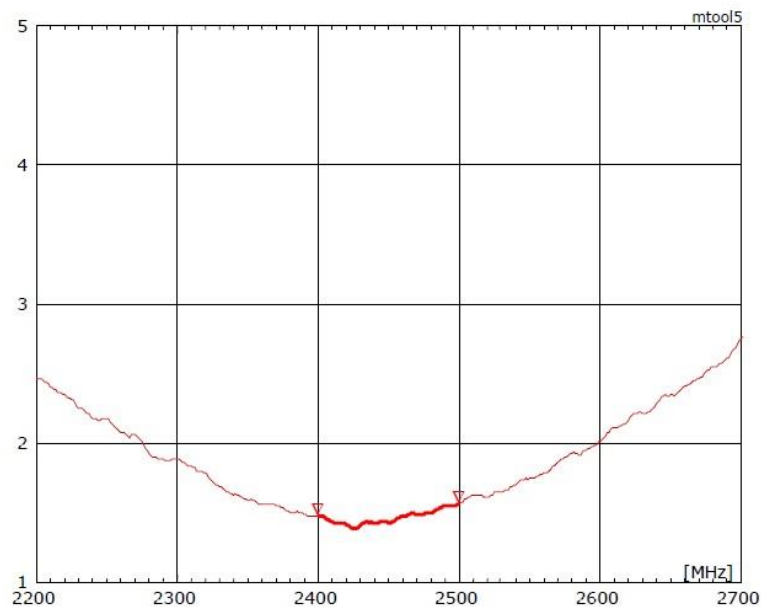
	Typical performance	Conditions
<b>Peak gain</b>	2.2 dBi	Data given for the 2.4 – 2.5 GHz frequency range
<b>Average gain</b>	-1.0 dBi	
<b>Average efficiency</b>	80%	
<b>Maximum Return Loss</b>	-13 dB	
<b>Maximum VSWR</b>	1.6:1	

## 7 Electrical performance

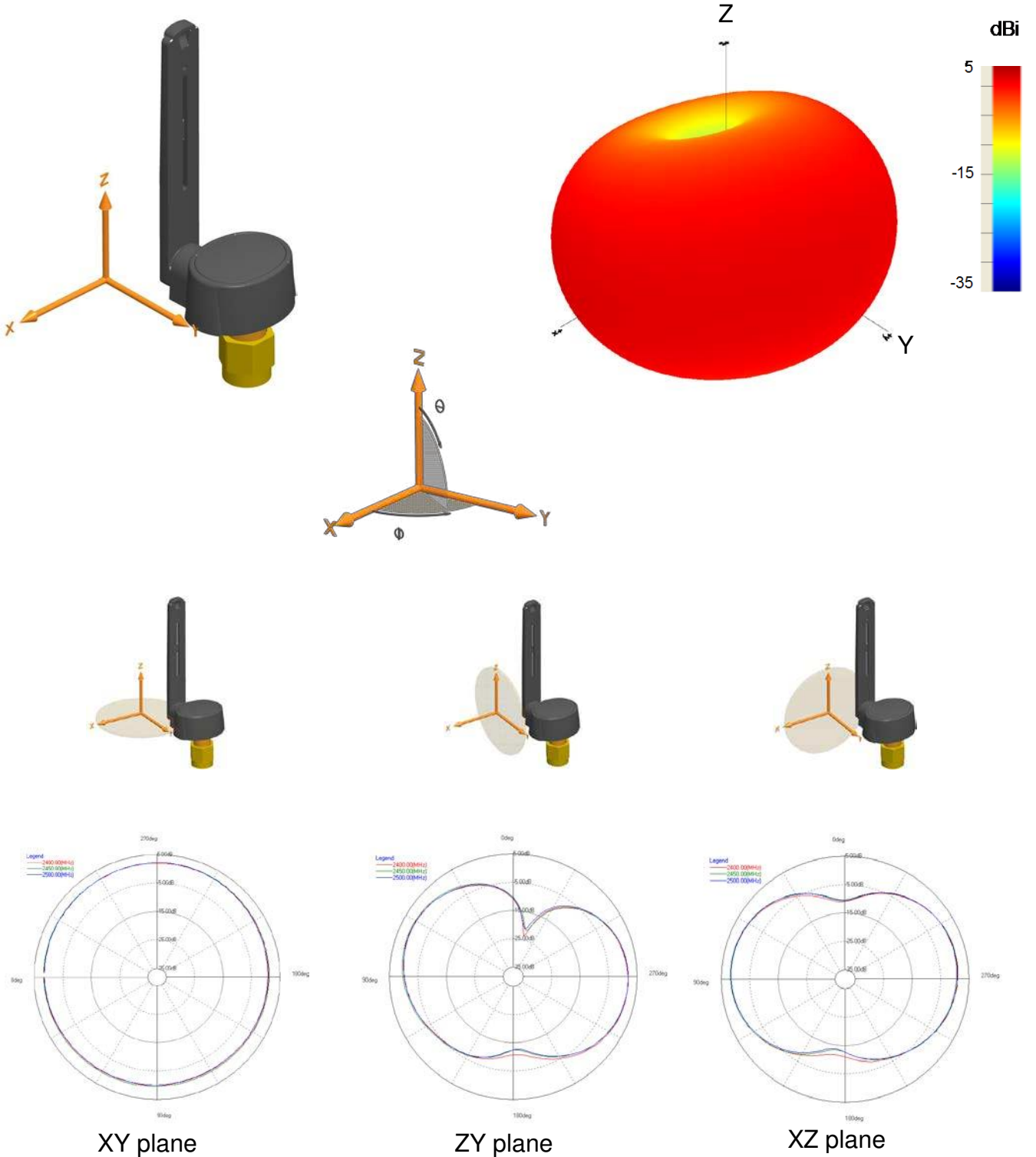
### 7-1 Return Loss



### 7-2 VSWR

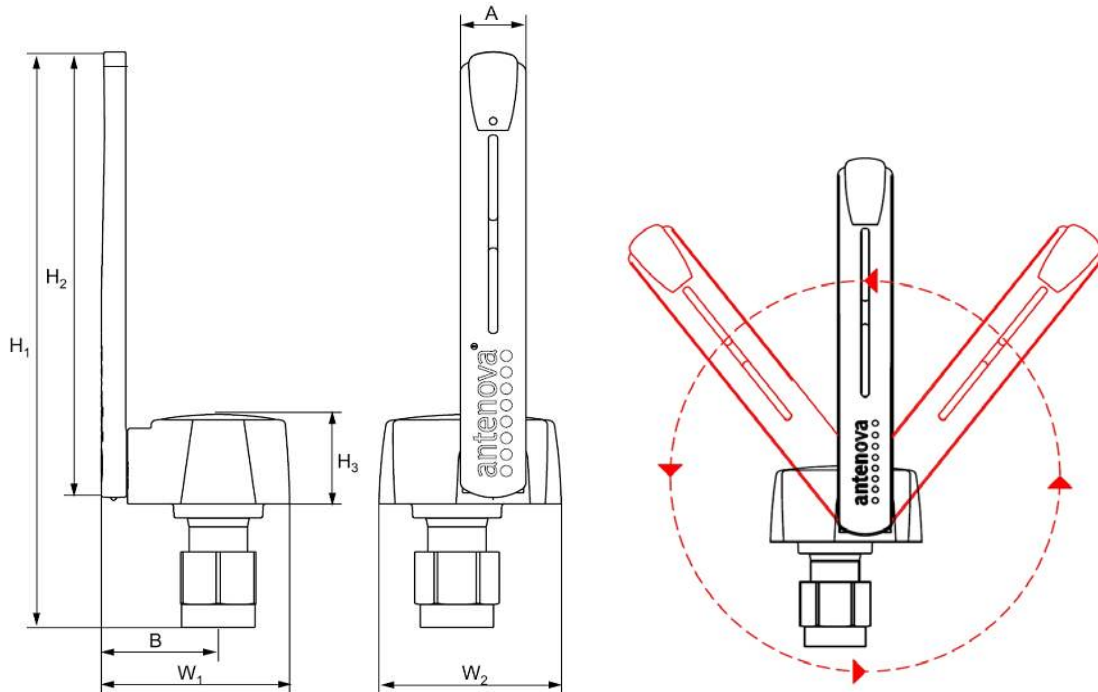


### 7-3 Antenna patterns



Patterns show combined polarisations

## 8 Antenna dimensions



A	B	H1	H2	H3	W1	W2
		Height	Height	Height	Width	Width
7 ± 0.2	12.5 ± 0.5	62.5 ± 0.5	48.3 ± 0.5	9.5 ± 0.5	20 ± 0.3	19.5 ± 0.3

Dimensions in mm

**Warning:** The blade of the antenna is the only part that swivels. **DO NOT** twist the plastic housing of the antenna blade. The housing is **NOT** designed to twist or turn and any attempt to do so will likely result in permanent damage to the antenna and its performance and is not covered by warranty. Installation and removal of the antenna should only be done by turning the metal SMA connector.

## 9 Hazardous material regulation conformance

The antenna has been tested to conform to RoHS requirements. A certificate of conformance is available from Antenova M2M's website.

## 10 Packaging

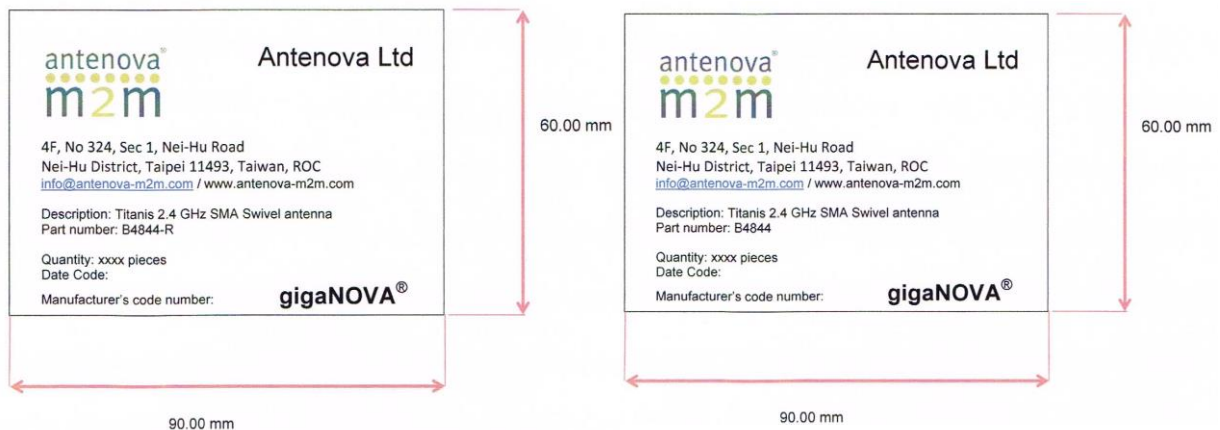
### 10-1 Optimal storage conditions

<b>Temperature</b>	-10°C to 40°C
<b>Humidity</b>	Less than 75% RH
<b>Shelf Life</b>	48 Months
<b>Storage place</b>	Away from corrosive gas and direct sunlight

### 10-2 Packaging information

The antennas are delivered in bulk, enclosed in plastic bags.

### 10-3 Bag label information



Dimensions in mm



**[www.antenova-m2m.com](http://www.antenova-m2m.com)**

**Corporate Headquarters**

Antenova Ltd.  
2<sup>nd</sup> Floor Titan Court  
3 Bishop Square  
Hatfield  
AL10 9NA

**Tel:** +44 1223 810600  
**Email:** sales@antenova-m2m.com

**North America Headquarters**

Antenova Ltd.  
100 Brush Creek Road, Suite 103  
Santa Rosa  
California, 95404  
USA

**Tel:** +1 707 890 5202  
**Email:** sales@antenova-m2m.com

**Asia Headquarters**

Antenova Asia Ltd.  
4F, No. 324, Sec. 1, Nei-Hu Road  
Nei-Hu District  
Taipei 11493  
Taiwan, ROC

**Tel:** +886 (0) 2 8797 8630  
**Fax:** +886 (0) 2 8797 6890  
**Email:** sales@antenova-m2m.com

**Copyright® Antenova Ltd.** All Rights Reserved. Antenova®, Antenova M2M®, gigaNOVA®, the Antenova product family names, and the Antenova and Antenova M2M logos are trademarks and/or registered trademarks of Antenova Ltd. Any other names and/or trademarks belong to their respective companies.

The materials provided herein are believed to be reliable and correct at the time of print. Antenova does not warrant the accuracy or completeness of the information, text, graphics or other items contained within these information. Antenova further assumes no responsibility for the use of this information, and all such information shall be entirely at the user's risk.



Certificate No: 4598

**Antennas for Wireless M2M Applications**