



Chipsmall Limited consists of a professional team with an average of over 10 year of expertise in the distribution of electronic components. Based in Hongkong, we have already established firm and mutual-benefit business relationships with customers from,Europe,America and south Asia,supplying obsolete and hard-to-find components to meet their specific needs.

With the principle of "Quality Parts,Customers Priority,Honest Operation,and Considerate Service",our business mainly focus on the distribution of electronic components. Line cards we deal with include Microchip,ALPS,ROHM,Xilinx,Pulse,ON,Everlight and Freescale. Main products comprise IC,Modules,Potentiometer,IC Socket,Relay,Connector.Our parts cover such applications as commercial,industrial, and automotives areas.

We are looking forward to setting up business relationship with you and hope to provide you with the best service and solution. Let us make a better world for our industry!



Contact us

Tel: +86-755-8981 8866 Fax: +86-755-8427 6832

Email & Skype: info@chipsmall.com Web: www.chipsmall.com

Address: A1208, Overseas Decoration Building, #122 Zhenhua RD., Futian, Shenzhen, China

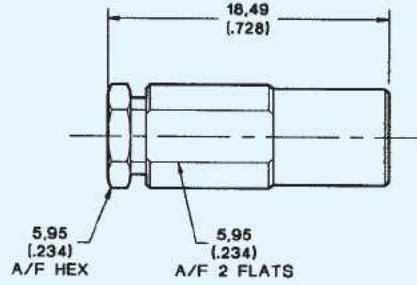


Straight Plugs and Jacks

SMB CONNECTORS HAVE SOLDER CENTER CONTACTS

Straight Clamp Plug

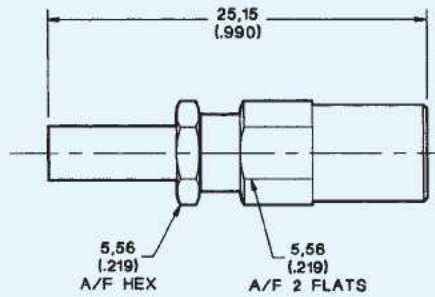
Part Number	Cable Numbers
B51-007-0000220	RG174/U, 316/U
B51-007-3196220	RG178/U, 196/U



Assembly Instruction BBAI-1213 (Page 135)

Straight Crimp Plug

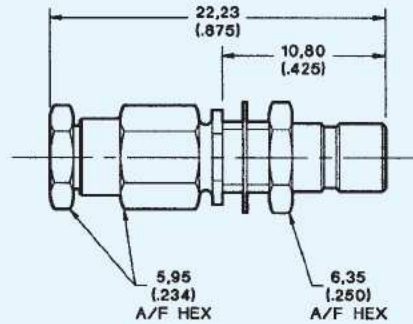
Part Number	Cable Numbers
B51-024-0000220	RG174/U, 316/U
B51-024-3196220	RG178/U, 196/U
B51-024-9399220	RD316, 179



Assembly Instruction BAI-003 (Page 122)

Straight Clamp Bulkhead Jack

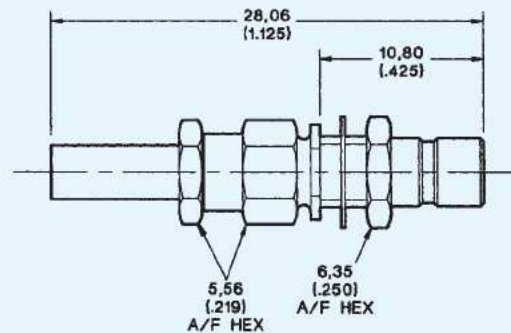
Part Number	Cable Numbers
051-010-0000220	RG174/U, 316/U
051-010-3196220	RG178/U, 196/U



Mounting Plan V (Page 109). Assembly Instruction BAI-001 (Page 130)

Straight Crimp Bulkhead Jack

Part Number	Cable Numbers
051-027-0000220	RG174/U, 316/U
051-027-3196220	RG178/U, 196/U
051-027-9399220	RD316, 179



Mounting Plan V (Page 109). Assembly Instruction BAI-003 (Page 122)