



Chipsmall Limited consists of a professional team with an average of over 10 year of expertise in the distribution of electronic components. Based in Hongkong, we have already established firm and mutual-benefit business relationships with customers from,Europe,America and south Asia,supplying obsolete and hard-to-find components to meet their specific needs.

With the principle of “Quality Parts,Customers Priority,Honest Operation,and Considerate Service”,our business mainly focus on the distribution of electronic components. Line cards we deal with include Microchip,ALPS,ROHM,Xilinx,Pulse,ON,Everlight and Freescale. Main products comprise IC,Modules,Potentiometer,IC Socket,Relay,Connector.Our parts cover such applications as commercial,industrial, and automotives areas.

We are looking forward to setting up business relationship with you and hope to provide you with the best service and solution. Let us make a better world for our industry!



Contact us

Tel: +86-755-8981 8866 Fax: +86-755-8427 6832

Email & Skype: info@chipsmall.com Web: www.chipsmall.com

Address: A1208, Overseas Decoration Building, #122 Zhenhua RD., Futian, Shenzhen, China





PTC Thermistor

Overcurrent protection

C0810-A0160-A070

Ordering code: B59810C0160A070

Data sheet

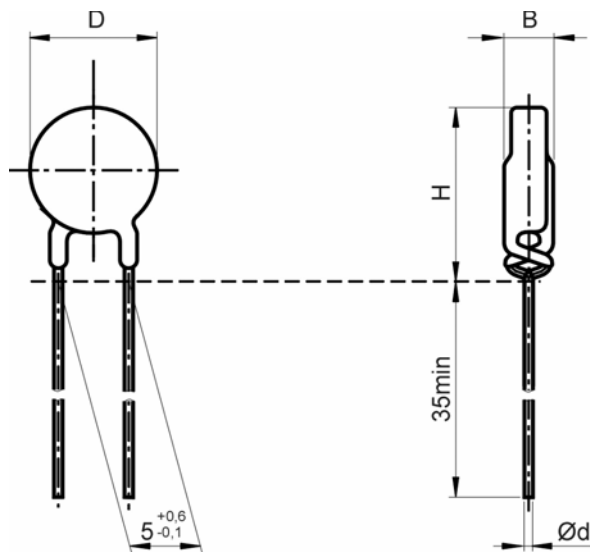
Form: FBLE3K/b

File name: C0810_A0160_A070a

MODIFICATIONS: New edition

REMARKS:

Prepared by	Collins-Hunt	Release	signed: PE / Collins-Hunt		signed: QS / Zödl		
			signed:		signed:		
ISSUE DATE	28.06.05	ISSUE	a	PUBLISHER	KB KH PE-PTC	PAGE	0/1

Data sheet


D _{max}	26.0	mm
Ød	0.8	mm
H _{max}	29.5	mm
B _{max}	5.0	mm

Max. operating voltage	V _{max}	160	V _{rms}
Rated voltage	V _R	110	V _{rms}
Rated resistance	R ₂₅	2.6	Ω
Resistance tolerance	ΔR	±25	%
Rated current	I _N	800	mA
Switching current	I _S	1600	mA
Maximal permissible switching current at V _{max}	I _{Smax}	10000	mA
Residual current at V _{max} (typ.) for information only	I _{res}	30	mA
Switching time at I _{Smax} and V _{max}	t _S	< 10	s
Reference temperature (typ.) for information only	T _{ref}	160	°C
Operating temperature range (V= 0)	T _{op(0)}	-40/+125	°C
Operating temperature range (V= V _{max})	T _{op(Vmax)}	0/60	°C

© EPCOS AG 2002. Reproduction, publication and dissemination of this data sheet, enclosures hereto and the information contained therein without EPCOS' prior express consent is prohibited.

Purchase orders are subject to the General Conditions for the Supply of Products and Services of the Electrical and Electronics Industry recommended by the ZVEI (German Electrical and Electronic Manufacturers' Association), unless otherwise agreed.

ISSUE DATE	28.06.05	ISSUE	a	PUBLISHER	KB KH PE-PTC	PAGE	1/1
------------	----------	-------	---	-----------	--------------	------	-----