



Chipsmall Limited consists of a professional team with an average of over 10 year of expertise in the distribution of electronic components. Based in Hongkong, we have already established firm and mutual-benefit business relationships with customers from,Europe,America and south Asia,supplying obsolete and hard-to-find components to meet their specific needs.

With the principle of “Quality Parts,Customers Priority,Honest Operation,and Considerate Service”,our business mainly focus on the distribution of electronic components. Line cards we deal with include Microchip,ALPS,ROHM,Xilinx,Pulse,ON,Everlight and Freescale. Main products comprise IC,Modules,Potentiometer,IC Socket,Relay,Connector.Our parts cover such applications as commercial,industrial, and automotives areas.

We are looking forward to setting up business relationship with you and hope to provide you with the best service and solution. Let us make a better world for our industry!



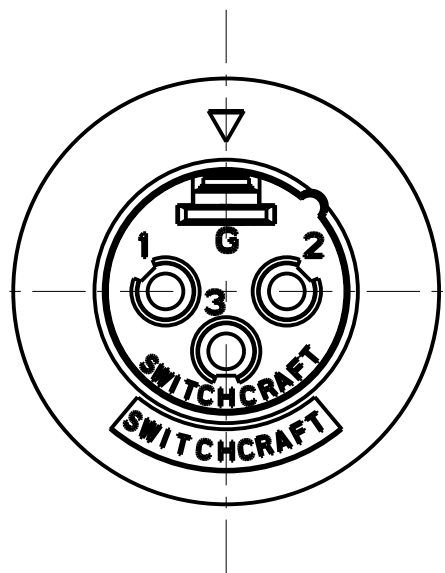
Contact us

Tel: +86-755-8981 8866 Fax: +86-755-8427 6832

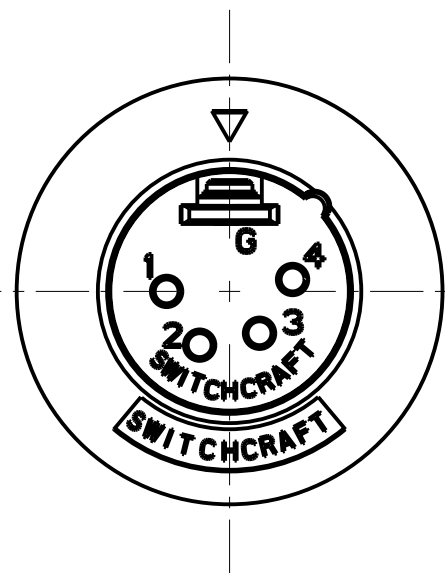
Email & Skype: info@chipsmall.com Web: www.chipsmall.com

Address: A1208, Overseas Decoration Building, #122 Zhenhua RD., Futian, Shenzhen, China

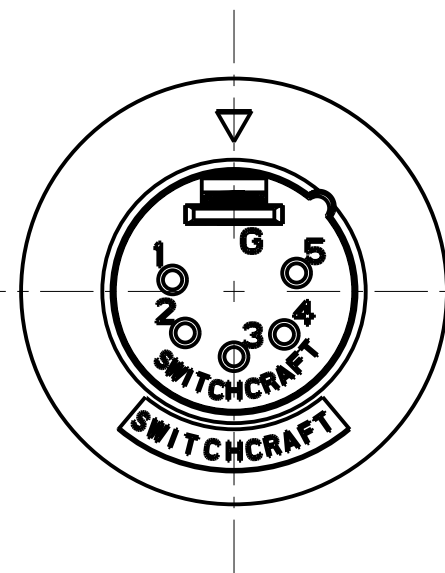




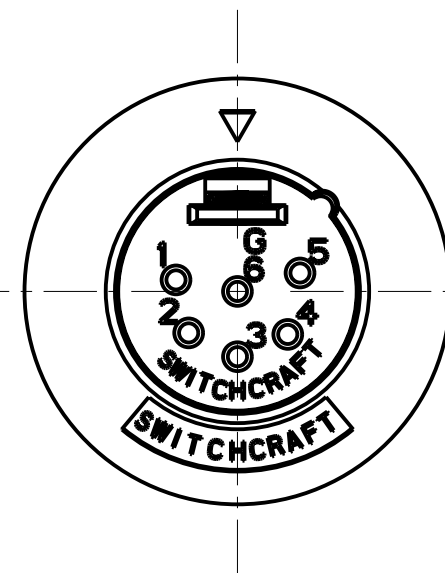
3 PIN



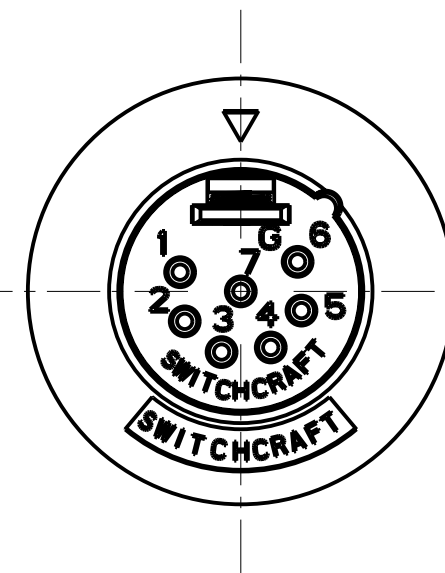
4 PIN



5 PIN

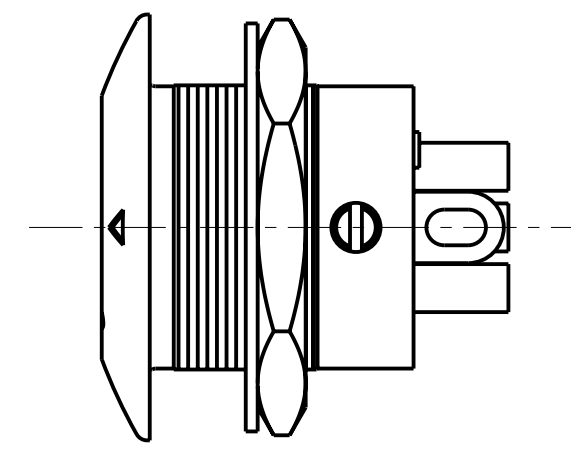


6 PIN



7 PIN

NOTES:
1. ALL DIMENSIONS REF. UNLESS OTHERWISE SPECIFIED.



STANDARD SERIES

SCREW - STAINLESS STEEL
 NUT - BRASS, NICKEL PLATED
 HOUSING - ZINC, NICKEL PLATED
 SOLDER TERMINAL - BRASS, ELECTRO TIN
 INSULATOR - POLYESTER, GREEN (UL94V-0)
 CONTACT PIN - BRASS, SILVER PLATED

CONTACT PLATING
 BLANK = SILVER (STANDARD)
 AU = GOLD

HOUSING FINISH
 BLANK = NICKEL PLATE (STANDARD)
 B = BLACK

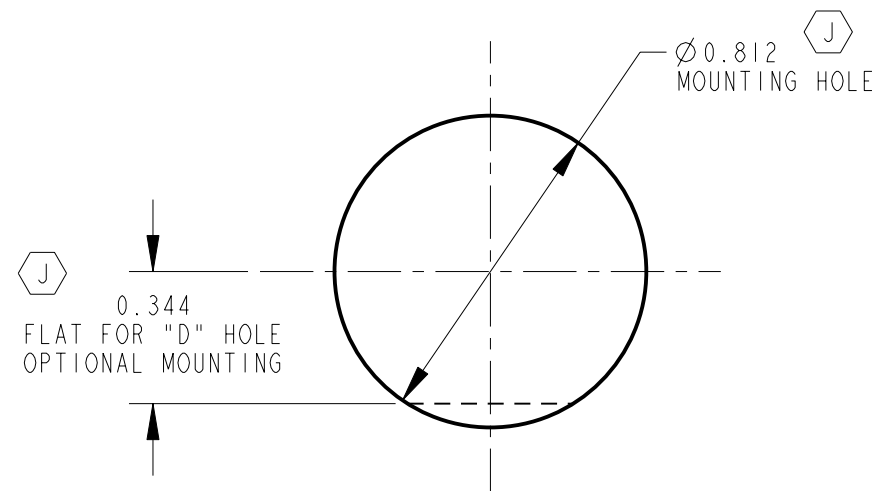
NO. OF CONTACTS:
 3 = 3 CONTACTS
 4 = 4 CONTACTS
 5 = 5 CONTACTS
 6 = 6 CONTACTS
 7 = 7 CONTACTS

PROFESSIONAL SERIES

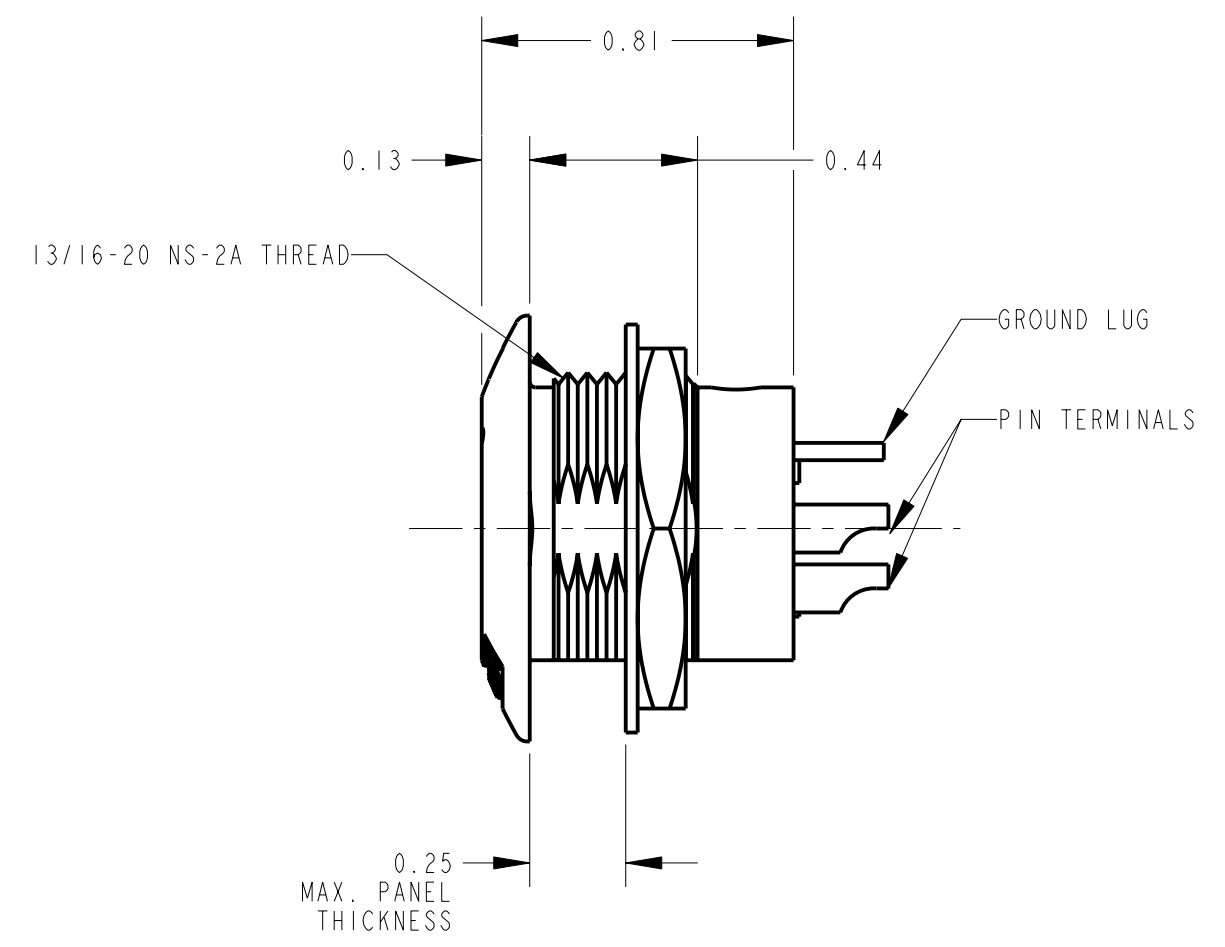
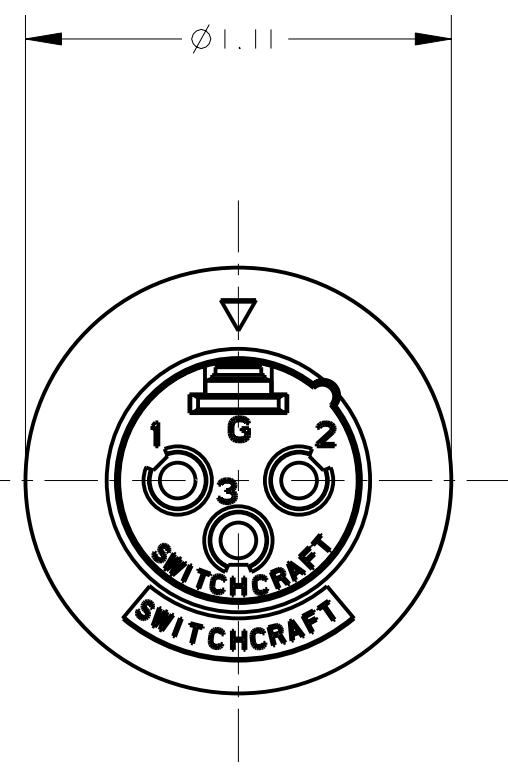
SAME AS ABOVE EXCEPT
 CONTACT PIN - PHOSPHOR BRONZE, GOLD OVER NICKEL

OGP 29

NO. OF CONTACTS:
 3 = 3 CONTACTS
 4 = 4 CONTACTS
 5 = 5 CONTACTS
 6 = 6 CONTACTS
 7 = 7 CONTACTS



RECOMMENDED PANEL CUT-OUT



CUSTOMER DRAWING

REV	ECO NUMBER	DATE	BY	APVD
G	22383	9-30-99	JL	DG
F	ECO #21070	2-3-97	MM	RB
E	ECO #21035	2-3-97	MM	RB
D	20627	1-20-96	SG	SG
J	26363	3-19-09	TJK	TJK
H	23590	12-27-00	RJ	DK

★ STAR SYMBOL DENOTES CRITICAL DIMENSION

UNLESS OTHERWISE SPECIFIED

1. ALL DIMENSIONS IN INCHES
 - TWO PLACE DECIMALS ±0.01
 - THREE PLACE DECIMALS ±0.005
 - ANGLES ±1°
 - ALL DIA. CONCENTRIC WITHIN 0.005 T.I.R.

2. FEATURES ON THE SAME CENTERLINE MUST BE ALIGNED WITHIN ±0.002

3. REMOVE ALL BURRS

DO NOT SCALE DRAWING

THIS DRAWING DESCRIBES A DESIGN CONSIDERED PROPRIETARY IN NATURE, DEVELOPED AND MANUFACTURED BY SWITCHCRAFT INC. AND IS RELEASED ON A CONFIDENTIAL BASIS FOR IDENTIFICATION PURPOSES ONLY.				
SIZE	WIDTH	MULT	LBS/M	TEMPER
FINISH		MATERIAL		
SPEC No.		SPEC No.		
FIRST USED ON		SCALE		
		2:1		
DATE DRAWN	BY	CHKD	APVD	Switchcraft
8-Aug-94	SG	SG	GHJ	
NAME				SHEET OF
B SERIES MALE OGP				REV
PART No.				J
B_M SERIES				