



Chipsmall Limited consists of a professional team with an average of over 10 year of expertise in the distribution of electronic components. Based in Hongkong, we have already established firm and mutual-benefit business relationships with customers from,Europe,America and south Asia,supplying obsolete and hard-to-find components to meet their specific needs.

With the principle of “Quality Parts,Customers Priority,Honest Operation,and Considerate Service”,our business mainly focus on the distribution of electronic components. Line cards we deal with include Microchip,ALPS,ROHM,Xilinx,Pulse,ON,Everlight and Freescale. Main products comprise IC,Modules,Potentiometer,IC Socket,Relay,Connector.Our parts cover such applications as commercial,industrial, and automotives areas.

We are looking forward to setting up business relationship with you and hope to provide you with the best service and solution. Let us make a better world for our industry!



Contact us

Tel: +86-755-8981 8866 Fax: +86-755-8427 6832

Email & Skype: info@chipsmall.com Web: www.chipsmall.com

Address: A1208, Overseas Decoration Building, #122 Zhenhua RD., Futian, Shenzhen, China





Ferrites and accessories

Toroids (ring cores) accessories
General information

Series/Type: **B64293, B64291, B64292**

Date: **May 2017**

© EPCOS AG 2017. Reproduction, publication and dissemination of this publication, enclosures hereto and the information contained therein without EPCOS' prior express consent is prohibited.

EPCOS AG is a TDK Group Company.

Toroids (ring cores) accessories

General information

Examples of final applications of ring core accessories

Application of ring core housings – horizontal / vertical version



Application of ring core base plate



Epoxy coated ring cores and accessories is ideal combination for current-compensated chokes. Combination of various wire diameters and hole/pin arrangement offer many alternatives of application.

Toroids (ring cores) accessories
Base plate for ring cores
B64293
Base plate for ring cores

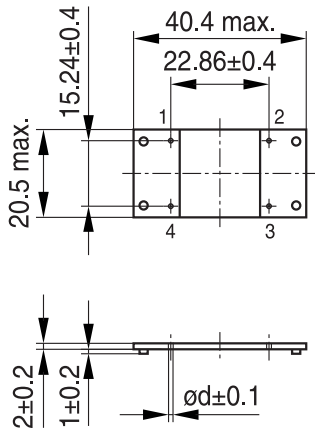
Material: GFR polycarbonate UL94 V-0
 Makrolon 9415 [E41613], color code blue, COVESTRO AG

Base plate					Ordering code
Figure	Dimensions mm	Hole diameter d mm	Lead spacing mm	Holes	
a	40.4 × 20.5	1.1	22.86 × 15.24	4	B64293A1000X000
	40.4 × 20.5	1.4	22.86 × 15.24	4	B64293A1100X000
b	∅ 47.8	1.7	see picture	8	B64293A1200X000 ¹⁾
c	∅ 64.0	2.9	see picture	6	B64293A1300X000 ²⁾
	∅ 64.0	2.1	see picture	6	B64293A1400X000 ²⁾

1) Combination with ring core housing B64291A1704X000

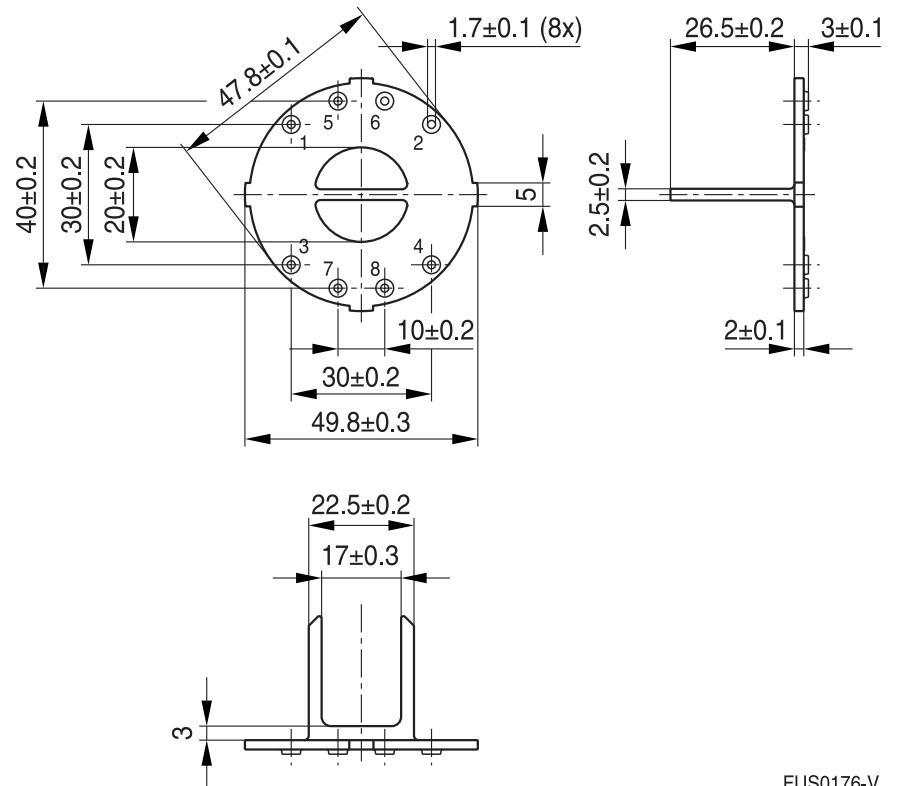
2) Hole diameter 1.0 ... 3.1 mm possible

Figure a



FUS0174-E

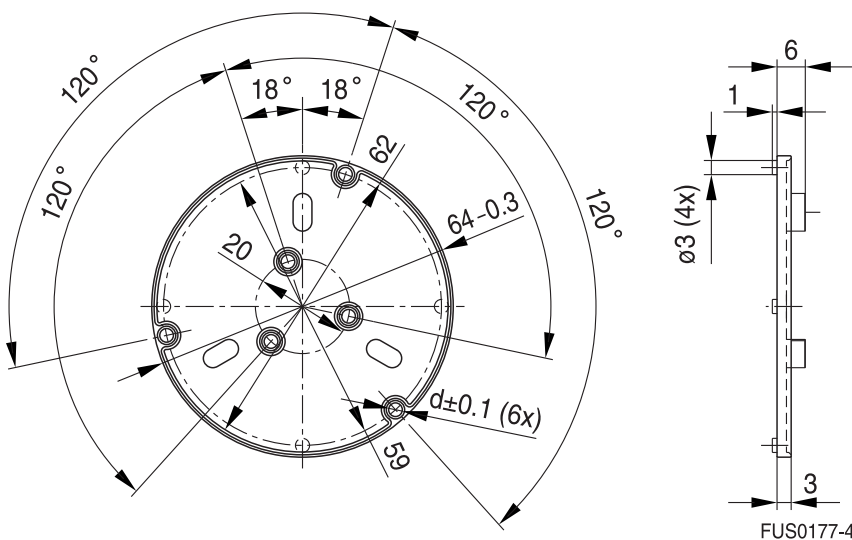
Figure b*)



FUS0176-V

*) Combination with ring core housing B64291A1704X000

Figure c



FUS0177-4

Tolerances to ISO 2768-C unless otherwise noted.
Dimensions in mm.

Please read *Cautions and warnings* and *Important notes* at the end of this document.

Toroids (ring cores) accessories
Housings for ring cores
B64291
Housings for ring cores – horizontal version

Material: B64291A: GFR polycarbonate UL94 V-0
 Makrolon 9415 [E41613], color code blue, COVESTRO AG
 B64291B: GFR liquid crystal polymer UL94 V-0
 Vectra E130i [E83005], color code natural, CELANESE INTERNATIONAL CORP.

Solderability (lead-free): to IEC 60068-2-20, test Ta, + 245 ± 5 °C, 3 ± 0.3 s
 Resistance to soldering heat (wave soldering): to IEC 60068-2-20, test Tb, + 260 ± 5 °C, 10 ± 1 s

Housings – horizontal version					Ordering code
Figure	Inner diameter d _i mm	Height mm	Lead spacing mm	Pins	
a	11.6	9.6	10 × 10	4	B64291A1004X000
b	12.0	8.0	see picture	8	B64291B1008X000
c	20.4	13.3	20 × 12.5	4	B64291A1104X000
d	26.0	16.8	25 × 15	4	B64291A1204X000
e	30.0	19.7	30 × 20	4	B64291A1304X000
f	30.0	25.0	30 × 20	4	B64291A1404X000
g	39.3	25.0	15 × 40	4	B64291A1504X000
h	39.3	30.0	15 × 40	4	B64291A1604X000
i	48.0	32.0	–	–	B64291A1704X000 ¹⁾
j	70.6	39.1	–	–	B64291A1804X000

1) Combination with base plate B64293A1200X000

Figure a

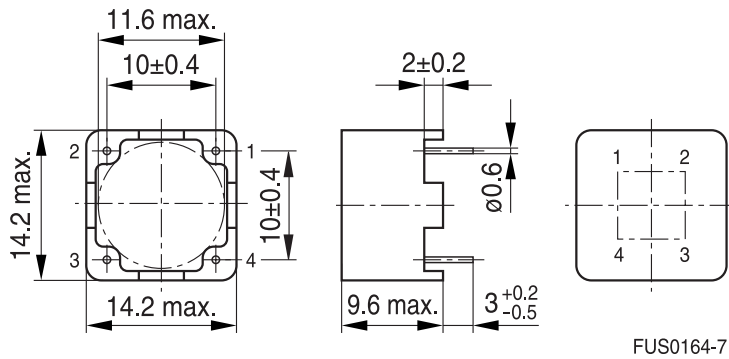
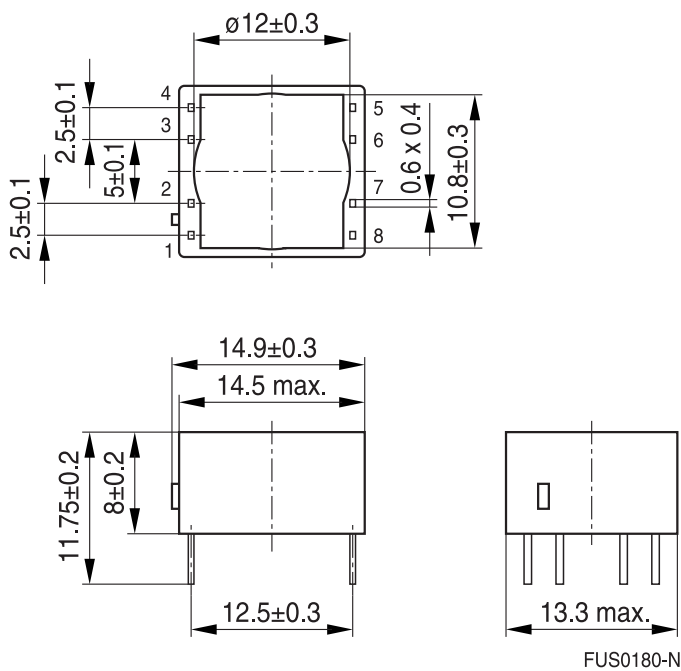


Figure b



Tolerances to ISO 2768-C unless otherwise noted.
Dimensions in mm.

Toroids (ring cores) accessories

Housings for ring cores

B64291

Figure c

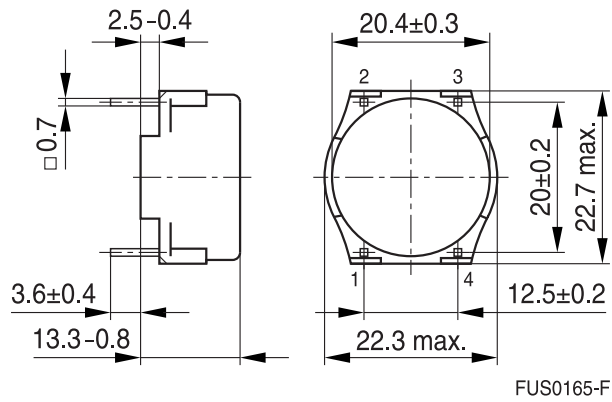


Figure d

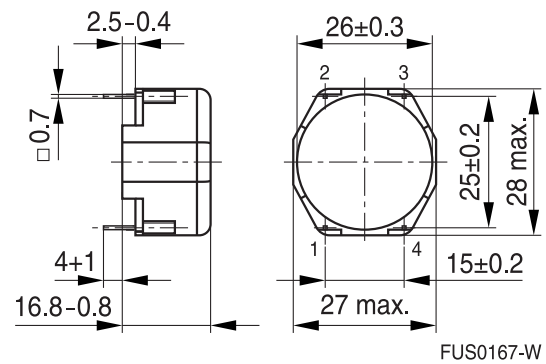


Figure e

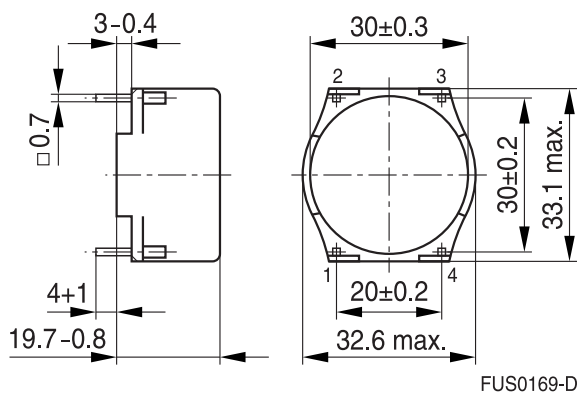


Figure f

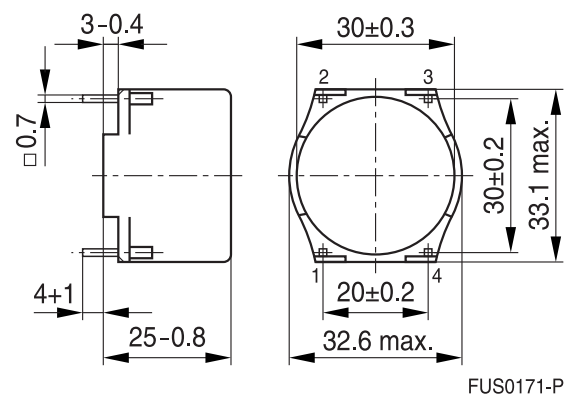
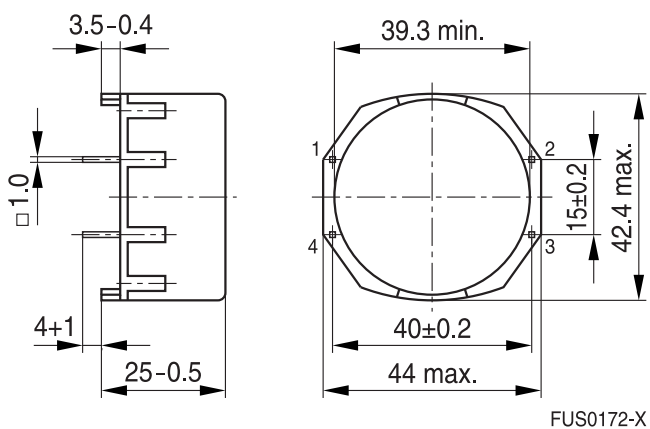


Figure g



Tolerances to ISO 2768-C unless otherwise noted.
Dimensions in mm.

Please read *Cautions and warnings* and *Important notes* at the end of this document.

Figure h

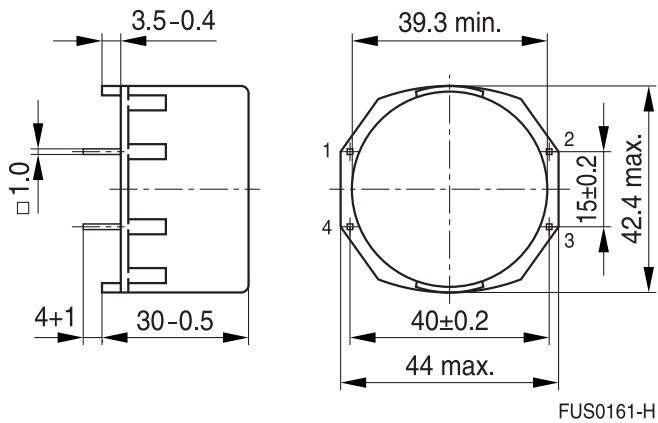


Figure i*)

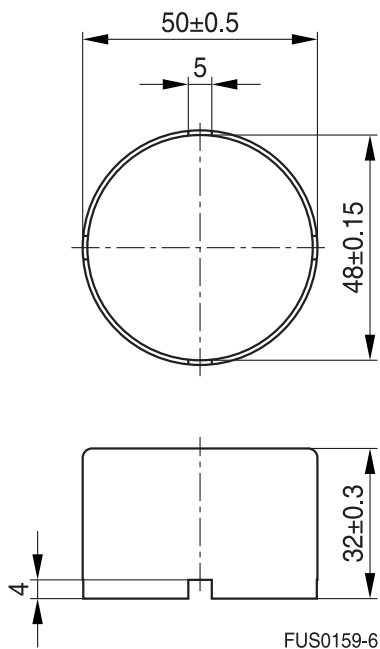
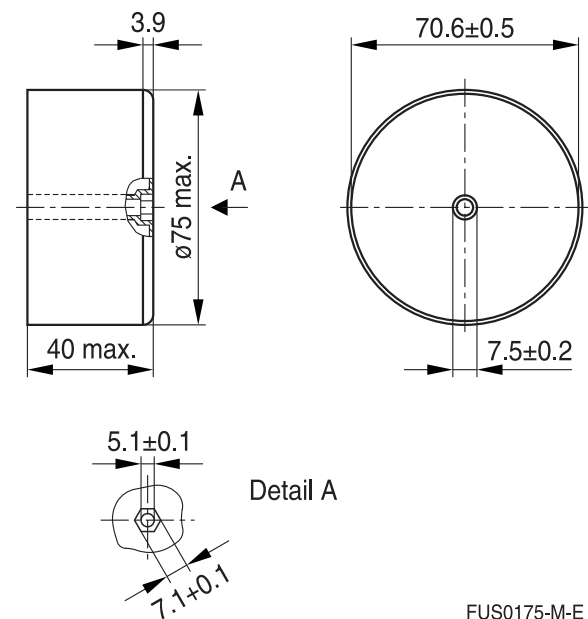


Figure j



*) Combination with base plate B64293A1200X000

Tolerances to ISO 2768-C unless otherwise noted.
Dimensions in mm.

Toroids (ring cores) accessories
Housings for ring cores
B64292
Housings for ring cores – vertical version

Material: B64292A: GFR polycarbonate UL94 V-0
 Makrolon 9415 [E41613], color code blue, COVESTRO AG
 B64292B: GFR liquid crystal polymer UL94 V-0
 Vectra E130i [E83005], color code natural, CELANESE INTERNATIONAL CORP.

Solderability (lead-free): to IEC 60068-2-20, test Ta, + 245 ± 5 °C, 3 ± 0.3 s

Resistance to soldering heat (wave soldering): to IEC 60068-2-20, test Tb, + 260 ± 5 °C, 10 ± 1 s

Housings – vertical version					Ordering code
Figure	Inner diameter d _i mm	Height mm	Lead spacing mm	Pins	
a	11.9 × 6.0	14.0	10.0 × 7.5	4	B64292A1004X000
	11.9 × 6.0	14.0	10.0 × 7.5	4	B64292B1004X000
	11.9 × 6.0	14.0	see picture	8	B64292A1008X000
b	21.0 × 10.5	25.4	10.0 × 12.5	4	B64292A1104X000
c	25.7 × 13.2	30.5	12.5 × 15.0	4	B64292A1204X000
d	29.0 × 11.3	33.2	12.5 × 15.0	4	B64292A1304X000
e	38.3 × 13.3	40.0	12.5 × 17.5	4	B64292A1404X000

1) B64292A1604X000 with unsymmetrical lead spacing (12.7 × 2.54/5.08 mm)

Figure a*)

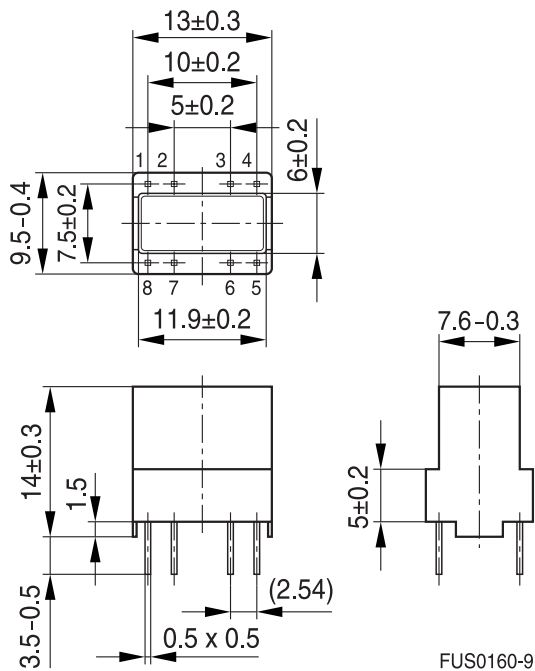
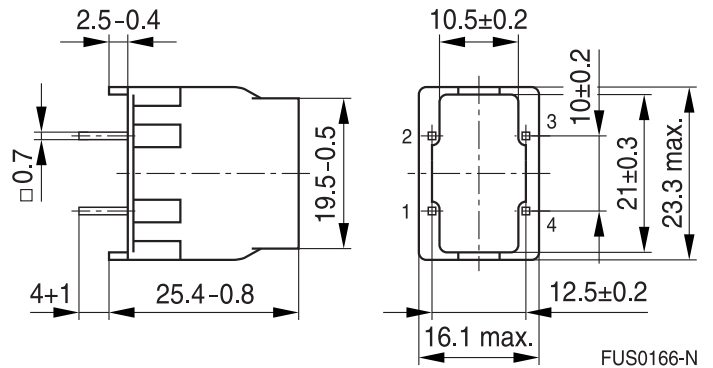
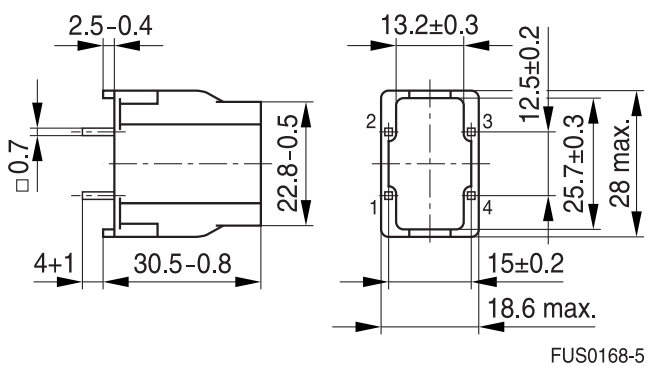


Figure b



*) For 4 PIN version B64292A1004X000 and B64292B1004X000 PIN 2, 3, 6 and 7 omitted

Figure c



Tolerances to ISO 2768-C unless otherwise noted.
Dimensions in mm.

Please read *Cautions and warnings* and *Important notes* at the end of this document.

Figure d

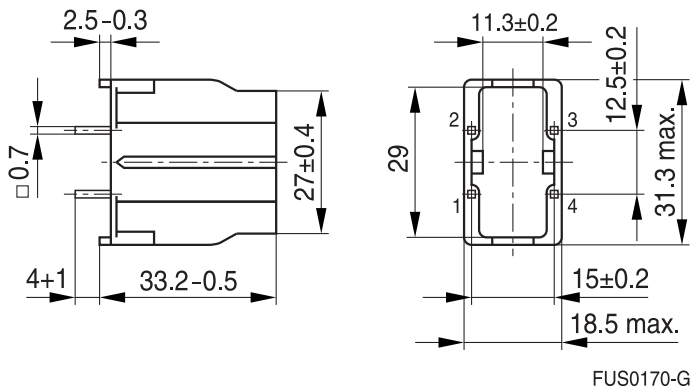
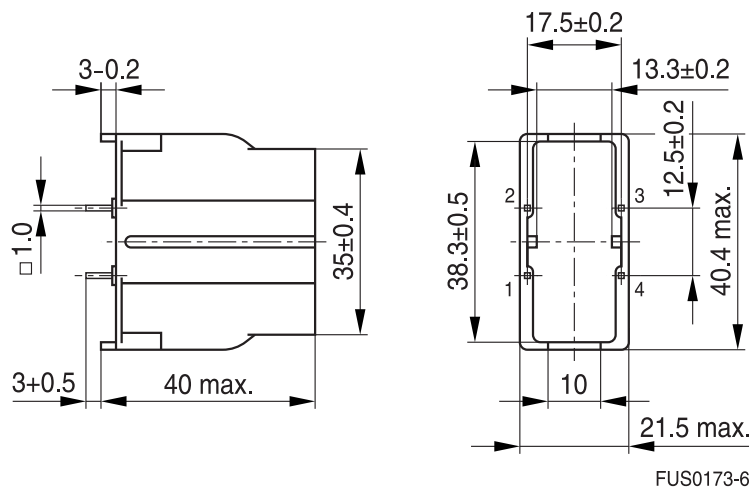


Figure e



Tolerances to ISO 2768-C unless otherwise noted.
Dimensions in mm.

Ferrites and accessories

Cautions and warnings

Mechanical stress and mounting

Ferrite cores have to meet mechanical requirements during assembling and for a growing number of applications. Since ferrites are ceramic materials one has to be aware of the special behavior under mechanical load.

As valid for any ceramic material, ferrite cores are brittle and sensitive to any shock, fast temperature changing or tensile load. Especially high cooling rates under ultrasonic cleaning and high static or cyclic loads can cause cracks or failure of the ferrite cores.

For detailed information see data book, chapter “*General - Definitions, 8.1*”.

Effects of core combination on A_L value

Stresses in the core affect not only the mechanical but also the magnetic properties. It is apparent that the initial permeability is dependent on the stress state of the core. The higher the stresses are in the core, the lower is the value for the initial permeability. Thus the embedding medium should have the greatest possible elasticity.

For detailed information see data book, chapter “*General - Definitions, 8.1*”.

Heating up

Ferrites can run hot during operation at higher flux densities and higher frequencies.

NiZn-materials

The magnetic properties of NiZn-materials can change irreversible in high magnetic fields.

Ferrite Accessories

EPCOS ferrite accessories have been designed and evaluated only in combination with EPCOS ferrite cores. EPCOS explicitly points out that EPCOS ferrite accessories or EPCOS ferrite cores may not be compatible with those of other manufacturers. Any such combination requires prior testing by the customer and will be at the customer's own risk.

EPCOS assumes no warranty or reliability for the combination of EPCOS ferrite accessories with cores and other accessories from any other manufacturer.

Processing remarks

The start of the winding process should be soft. Else the flanges may be destroyed.

- Too strong winding forces may blast the flanges or squeeze the tube that the cores can not be mounted any more.
- Too long soldering time at high temperature (>300 °C) may effect coplanarity or pin arrangement.
- Not following the processing notes for soldering of the J-leg terminals may cause solderability problems at the transformer because of pollution with Sn oxyde of the tin bath or burned insulation of the wire. For detailed information see chapter “*Processing notes*”, section 2.2.
- The dimensions of the hole arrangement have fixed values and should be understood as a recommendation for drilling the printed circuit board. For dimensioning the pins, the group of holes can only be seen under certain conditions, as they fit into the given hole arrangement. To avoid problems when mounting the transformer, the manufacturing tolerances for positioning the customers' drilling process must be considered by increasing the hole diameter.

Display of ordering codes for EPCOS products

The ordering code for one and the same product can be represented differently in data sheets, data books, other publications and the website of EPCOS, or in order-related documents such as shipping notes, order confirmations and product labels. **The varying representations of the ordering codes are due to different processes employed and do not affect the specifications of the respective products.** Detailed information can be found on the Internet under www.epcos.com/orderingcodes.

Ferrites and accessories

Symbols and terms

Symbol	Meaning	Unit
A	Cross section of coil	mm ²
A _e	Effective magnetic cross section	mm ²
A _L	Inductance factor; A _L = L/N ²	nH
A _{L1}	Minimum inductance at defined high saturation ($\hat{=} \mu_a$)	nH
A _{min}	Minimum core cross section	mm ²
A _N	Winding cross section	mm ²
A _R	Resistance factor; A _R = R _{Cu} /N ²	$\mu\Omega = 10^{-6} \Omega$
B	RMS value of magnetic flux density	Vs/m ² , mT
ΔB	Flux density deviation	Vs/m ² , mT
\hat{B}	Peak value of magnetic flux density	Vs/m ² , mT
$\Delta \hat{B}$	Peak value of flux density deviation	Vs/m ² , mT
B _{DC}	DC magnetic flux density	Vs/m ² , mT
B _R	Remanent flux density	Vs/m ² , mT
B _S	Saturation magnetization	Vs/m ² , mT
C ₀	Winding capacitance	F = As/V
CDF	Core distortion factor	mm ^{-4.5}
DF	Relative disaccommodation coefficient DF = d/ μ_i	
d	Disaccommodation coefficient	
E _a	Activation energy	J
f	Frequency	s ⁻¹ , Hz
f _{cutoff}	Cut-off frequency	s ⁻¹ , Hz
f _{max}	Upper frequency limit	s ⁻¹ , Hz
f _{min}	Lower frequency limit	s ⁻¹ , Hz
f _r	Resonance frequency	s ⁻¹ , Hz
f _{Cu}	Copper filling factor	
g	Air gap	mm
H	RMS value of magnetic field strength	A/m
\hat{H}	Peak value of magnetic field strength	A/m
H _{DC}	DC field strength	A/m
H _c	Coercive field strength	A/m
h	Hysteresis coefficient of material	10 ⁻⁶ cm/A
h/ μ_i^2	Relative hysteresis coefficient	10 ⁻⁶ cm/A
I	RMS value of current	A
I _{DC}	Direct current	A
\hat{I}	Peak value of current	A
J	Polarization	Vs/m ²
k	Boltzmann constant	J/K
k ₃	Third harmonic distortion	
k _{3c}	Circuit third harmonic distortion	
L	Inductance	H = Vs/A

Ferrites and accessories
Symbols and terms

Symbol	Meaning	Unit
$\Delta L/L$	Relative inductance change	H
L_0	Inductance of coil without core	H
L_H	Main inductance	H
L_p	Parallel inductance	H
L_{rev}	Reversible inductance	H
L_s	Series inductance	H
l_e	Effective magnetic path length	mm
l_N	Average length of turn	mm
N	Number of turns	
P_{Cu}	Copper (winding) losses	W
P_{trans}	Transferrable power	W
P_V	Relative core losses	mW/g
PF	Performance factor	
Q	Quality factor ($Q = \omega L/R_s = 1/\tan \delta_L$)	
R	Resistance	Ω
R_{Cu}	Copper (winding) resistance ($f = 0$)	Ω
R_h	Hysteresis loss resistance of a core	Ω
ΔR_h	R_h change	Ω
R_i	Internal resistance	Ω
R_p	Parallel loss resistance of a core	Ω
R_s	Series loss resistance of a core	Ω
R_{th}	Thermal resistance	K/W
R_V	Effective loss resistance of a core	Ω
s	Total air gap	mm
T	Temperature	$^{\circ}\text{C}$
ΔT	Temperature difference	K
T_C	Curie temperature	$^{\circ}\text{C}$
t	Time	s
t_v	Pulse duty factor	
$\tan \delta$	Loss factor	
$\tan \delta_L$	Loss factor of coil	
$\tan \delta_r$	(Residual) loss factor at $H \rightarrow 0$	
$\tan \delta_e$	Relative loss factor	
$\tan \delta_h$	Hysteresis loss factor	
$\tan \delta/\mu_i$	Relative loss factor of material at $H \rightarrow 0$	
U	RMS value of voltage	V
\hat{U}	Peak value of voltage	V
V_e	Effective magnetic volume	mm^3
Z	Complex impedance	Ω
Z_n	Normalized impedance $ Z _n = Z /N^2 \times \epsilon (l_e/A_e)$	Ω/mm

Ferrites and accessories

Symbols and terms

Symbol	Meaning	Unit
α	Temperature coefficient (TK)	1/K
α_F	Relative temperature coefficient of material	1/K
α_e	Temperature coefficient of effective permeability	1/K
ϵ_r	Relative permittivity	
Φ	Magnetic flux	Vs
η	Efficiency of a transformer	
η_B	Hysteresis material constant	mT ⁻¹
η_i	Hysteresis core constant	A ⁻¹ H ^{-1/2}
λ_s	Magnetostriction at saturation magnetization	
μ	Relative complex permeability	
μ_0	Magnetic field constant	Vs/Am
μ_a	Relative amplitude permeability	
μ_{app}	Relative apparent permeability	
μ_e	Relative effective permeability	
μ_i	Relative initial permeability	
μ_p'	Relative real (inductive) component of $\bar{\mu}$ (for parallel components)	
μ_p''	Relative imaginary (loss) component of $\bar{\mu}$ (for parallel components)	
μ_r	Relative permeability	
μ_{rev}	Relative reversible permeability	
μ_s'	Relative real (inductive) component of $\bar{\mu}$ (for series components)	
μ_s''	Relative imaginary (loss) component of $\bar{\mu}$ (for series components)	
μ_{tot}	Relative total permeability derived from the static magnetization curve	
ρ	Resistivity	Ωm^{-1}
$\Sigma l/A$	Magnetic form factor	mm^{-1}
τ_{Cu}	DC time constant $\tau_{Cu} = L/R_{Cu} = A_L/A_R$	s
ω	Angular frequency; $\omega = 2 \Pi f$	s ⁻¹

All dimensions are given in mm.

SMD Surface-mount device

Important notes

The following applies to all products named in this publication:

1. Some parts of this publication contain **statements about the suitability of our products for certain areas of application**. These statements are based on our knowledge of typical requirements that are often placed on our products in the areas of application concerned. We nevertheless expressly point out **that such statements cannot be regarded as binding statements about the suitability of our products for a particular customer application**. As a rule, EPCOS is either unfamiliar with individual customer applications or less familiar with them than the customers themselves. For these reasons, it is always ultimately incumbent on the customer to check and decide whether an EPCOS product with the properties described in the product specification is suitable for use in a particular customer application.
2. We also point out that **in individual cases, a malfunction of electronic components or failure before the end of their usual service life cannot be completely ruled out in the current state of the art, even if they are operated as specified**. In customer applications requiring a very high level of operational safety and especially in customer applications in which the malfunction or failure of an electronic component could endanger human life or health (e.g. in accident prevention or life-saving systems), it must therefore be ensured by means of suitable design of the customer application or other action taken by the customer (e.g. installation of protective circuitry or redundancy) that no injury or damage is sustained by third parties in the event of malfunction or failure of an electronic component.
3. **The warnings, cautions and product-specific notes must be observed.**
4. In order to satisfy certain technical requirements, **some of the products described in this publication may contain substances subject to restrictions in certain jurisdictions (e.g. because they are classed as hazardous)**. Useful information on this will be found in our Material Data Sheets on the Internet (www.epcos.com/material). Should you have any more detailed questions, please contact our sales offices.
5. We constantly strive to improve our products. Consequently, **the products described in this publication may change from time to time**. The same is true of the corresponding product specifications. Please check therefore to what extent product descriptions and specifications contained in this publication are still applicable before or when you place an order.

We also **reserve the right to discontinue production and delivery of products**. Consequently, we cannot guarantee that all products named in this publication will always be available. The aforementioned does not apply in the case of individual agreements deviating from the foregoing for customer-specific products.

6. Unless otherwise agreed in individual contracts, **all orders are subject to the current version of the "General Terms of Delivery for Products and Services in the Electrical Industry" published by the German Electrical and Electronics Industry Association (ZVEI)**.
7. The trade names EPCOS, CeraCharge, CeraDiode, CeraLink, CeraPad, CeraPlas, CSMP, CTVS, DeltaCap, DigiSiMic, ExoCore, FilterCap, FormFit, LeaXield, MiniBlue, MiniCell, MKD, MKK, MotorCap, PCC, PhaseCap, PhaseCube, PhaseMod, PhiCap, PowerHap, PQSine, PQvar, SIFERRIT, SIFI, SIKOREL, SilverCap, SIMDAD, SiMic, SIMID, SineFormer, SIOV, ThermoFuse, WindCap are **trademarks registered or pending** in Europe and in other countries. Further information will be found on the Internet at www.epcos.com/trademarks.