



Chipsmall Limited consists of a professional team with an average of over 10 year of expertise in the distribution of electronic components. Based in Hongkong, we have already established firm and mutual-benefit business relationships with customers from,Europe,America and south Asia,supplying obsolete and hard-to-find components to meet their specific needs.

With the principle of “Quality Parts,Customers Priority,Honest Operation,and Considerate Service”,our business mainly focus on the distribution of electronic components. Line cards we deal with include Microchip,ALPS,ROHM,Xilinx,Pulse,ON,Everlight and Freescale. Main products comprise IC,Modules,Potentiometer,IC Socket,Relay,Connector.Our parts cover such applications as commercial,industrial, and automotives areas.

We are looking forward to setting up business relationship with you and hope to provide you with the best service and solution. Let us make a better world for our industry!



## Contact us

Tel: +86-755-8981 8866 Fax: +86-755-8427 6832

Email & Skype: info@chipsmall.com Web: www.chipsmall.com

Address: A1208, Overseas Decoration Building, #122 Zhenhua RD., Futian, Shenzhen, China



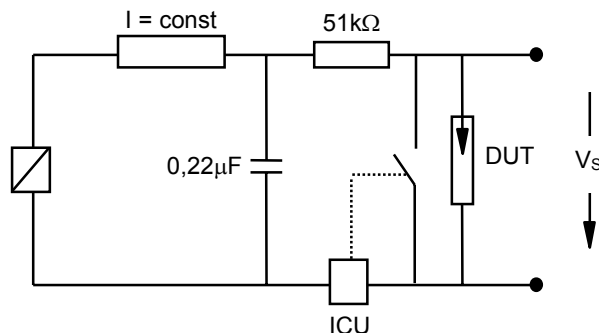
Nominal breakdown voltage $V_N$	5000	V
Initial values <sup>2)</sup>		
Static breakdown voltage $V_S$ <sup>1)</sup>		
First ignition value $V_{S, FTE}$ after 24 hours in darkness	$\leq 6500$	V
Following ignition values $V_{S, FIV}$	4000 ... 6000	V
Electrical life time <sup>3)</sup>		
Breakdown voltage $V_B$		
First ignition value $V_{B, FTE}$ after 24 hours in darkness	$\leq 7000$	V
Following ignition values $V_{B, FIV}$	3750 ... 6250	V
Switching operations at -10 ... +100 °C	100 000	Ignitions
Test circuit parameters		
Open circuit voltage $V_0$	7000	V
Loading resistance R	4000	k $\Omega$
Discharge capacitance C	1	nF
Inductance L	20	$\mu$ H
Discharge peak current $I_p$	30	A
General technical data		
Insulation resistance at 100 V	$> 100$	M $\Omega$
Early ignition values below 3750 V	$\leq 5$	%
Breakdown time	$\leq 50$	ns
Maximum switching frequency	100	Hz
Weight	$\sim 2$	g
Storage temperature range	-20 ... +110	°C
Marking, red	<b>EPCOS 5000 YY O <math>\Delta</math></b> 5000 - Nominal voltage YY - Year of production O - Non radioactive $\Delta$ - w/o Humidity Protection Film	

<sup>1)</sup> At delivery AQL 0,65 level II, DIN ISO 2859

<sup>2)</sup> Page 2, Fig. 1 and 2

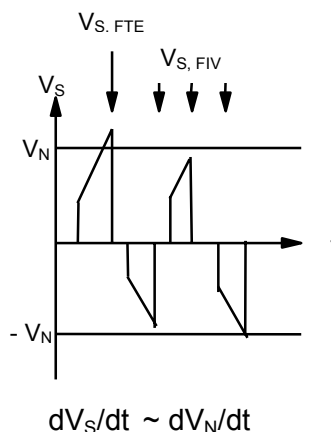
<sup>3)</sup> Page 2, Fig. 3 and 4

**Fig. 1:** QC- test circuit (100% outgoing inspection)

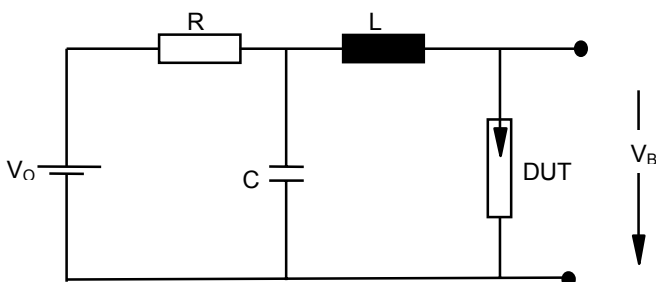


DUT device under test  
 ICU ignition control unit (sensitivity 10 .. 30 µA)  
 Discharge current 10 – 20 mA

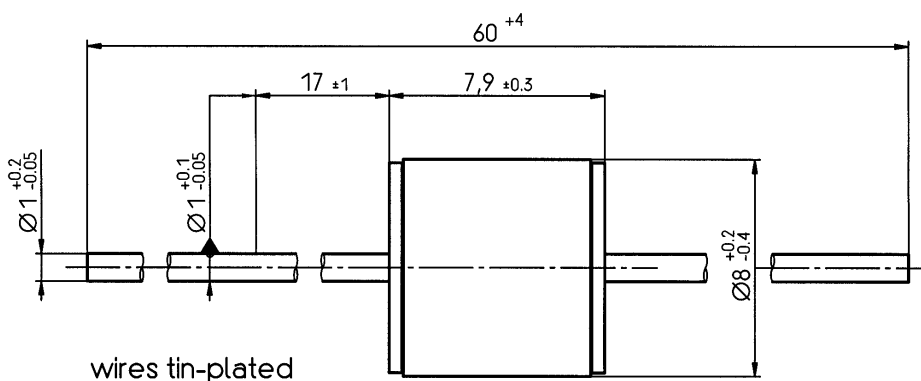
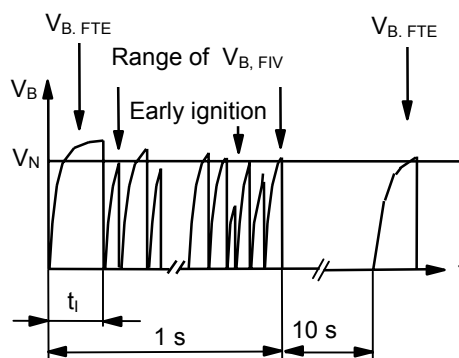
**Fig. 2:** Explanation of measurands



**Fig. 3:** QC- test circuit (sampling inspection at 25 °C)



**Fig. 4:** Explanation of measurands



Not to scale  
 Dimensions in mm  
 Non controlled document

© EPCOS AG 2002. Reproduction, publication and dissemination of this data sheet, enclosures hereto and the information contained therein without EPCOS' prior express consent is prohibited.

Purchase orders are subject to the General Conditions for the Supply of Products and Services of the Electrical and Electronics Industry recommended by the ZVEI (German Electrical and Electronic Manufacturers' Association), unless otherwise agreed.