



Chipsmall Limited consists of a professional team with an average of over 10 year of expertise in the distribution of electronic components. Based in Hongkong, we have already established firm and mutual-benefit business relationships with customers from,Europe,America and south Asia,supplying obsolete and hard-to-find components to meet their specific needs.

With the principle of “Quality Parts,Customers Priority,Honest Operation,and Considerate Service”,our business mainly focus on the distribution of electronic components. Line cards we deal with include Microchip,ALPS,ROHM,Xilinx,Pulse,ON,Everlight and Freescale. Main products comprise IC,Modules,Potentiometer,IC Socket,Relay,Connector.Our parts cover such applications as commercial,industrial, and automotives areas.

We are looking forward to setting up business relationship with you and hope to provide you with the best service and solution. Let us make a better world for our industry!



Contact us

Tel: +86-755-8981 8866 Fax: +86-755-8427 6832

Email & Skype: info@chipsmall.com Web: www.chipsmall.com

Address: A1208, Overseas Decoration Building, #122 Zhenhua RD., Futian, Shenzhen, China



XDSL SPLITTER FILTER MODULE

B8842NL

SmartER Series



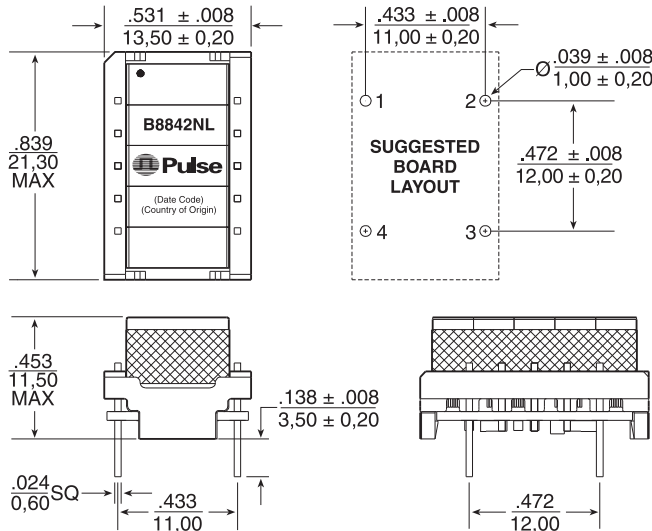
- Ⓢ ISDN CO splitter for standard ADSL / VDSL2 applications
- Ⓢ LPF compliant with ETSI specification TS 101-952-1-3, v1.1.1 for both 2B1Q and 4B3T applications
- Ⓢ Part of a standard series which has footprint compatibility
- Ⓢ For ADSL, ADSL2+, VDSL and VDSL2 applications
- Ⓢ RoHS-6 compatible
- Ⓢ Patented technology: US7598837, US7598839, CN1667763, EP1644943, TWI316724, CA2531599

Electrical Specifications @ 25°C

PARAMETER	FREQUENCY	
ISDN Impedance	1 kHz to 80 kHz	135 Ω & 150 Ω
ISDN Insertion Loss 2B1Q	1 kHz to 40 kHz	0.8 dB MAX
	40 kHz to 80 kHz	2.0 dB MAX
ISDN Return Loss 2B1Q	1 kHz to 40 kHz	16 dB MIN
	40 kHz to 80 kHz	14 dB MIN
ISDN Insertion Loss 4B3T	1 kHz to 60 kHz	0.8 dB MAX
	60 kHz to 80 kHz	2.0 dB MAX
ISDN Return Loss 4B3T	1 kHz to 60 kHz	16 dB MIN
	60 kHz to 60 kHz	14 dB MIN
Longitudinal Balance	30 kHz to 85 kHz	46 dB MIN
	120 kHz to 1.1 MHz	46 dB MIN
	1.1 MHz to 30 MHz	45 dB MIN
xDSL Insertion Loss	150 kHz to 1.1 MHz	65 dB MIN
	1.1 MHz to 30 MHz	55 dB MIN
DC Current		60 mA MAX
Total DC Resistance		4.8 Ω MAX

Mechanical

B8842NL



Weight 8.0 grams
 Tray. 80/tray
 Dimensions: $\frac{\text{Inches}}{\text{mm}}$
 Unless otherwise specified, all tolerances are $\pm \frac{.010}{0,25}$

XDSL SPLITTER FILTER MODULE

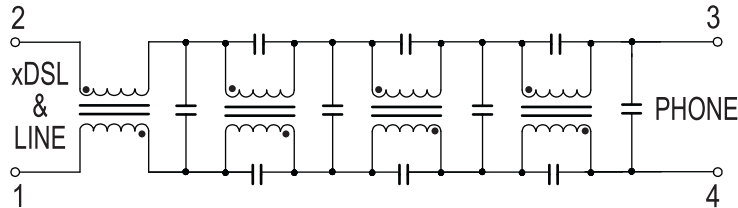
B8842NL

SmartER Series



Schematic

B8842NL



For More Information:

Pulse Worldwide Headquarters

12220 World Trade Dr.
San Diego, CA 92128
U.S.A.

www.pulseeng.com
Tel: 858 674 8100
Fax: 858 674 8262

Pulse Europe

Zeppelinstrasse 15
D-71083 Herrenberg
Germany

Tel: 49 7032 7806 0
Fax: 49 7032 7806 135

Pulse China Headquarters

B402, Shenzhen Academy of
Aerospace Technology Bldg.
10th Kejinan Rd.
High-Tech Zone
Nanshan District
Shenzhen, PR China 518057

Tel: 86 755 33966678
Fax: 86 755 33966700

Pulse North China

Room 2704/2705
Super Ocean Finance Ctr.
2067 Yan An Rd. West
Shanghai 200336
China

Tel: 86 21 62787060
Fax: 86 2162786973

Pulse South Asia

135 Joo Seng Rd.
#03-02
PM Industrial Bldg.
Singapore 368363

Tel: 65 6287 8998
Fax: 65 6287 8998

Pulse North Asia

3F, No. 198
Zhongyuan Rd.
Zhongli City
Taoyuan County 320
Taiwan R. O. C.

Tel: 886 3 4356768
Fax: 886 3 4356823 (Pulse)
Fax: 886 3 4356820 (FRE)

Performance warranty of products offered on this data sheet is limited to the parameters specified. Data is subject to change without notice. Other brand and product names mentioned herein may be trademarks or registered trademarks of their respective owners.

© Copyright, 2010. Pulse Engineering, Inc. All rights reserved.