



Chipsmall Limited consists of a professional team with an average of over 10 year of expertise in the distribution of electronic components. Based in Hongkong, we have already established firm and mutual-benefit business relationships with customers from,Europe,America and south Asia,supplying obsolete and hard-to-find components to meet their specific needs.

With the principle of “Quality Parts,Customers Priority,Honest Operation,and Considerate Service”,our business mainly focus on the distribution of electronic components. Line cards we deal with include Microchip,ALPS,ROHM,Xilinx,Pulse,ON,Everlight and Freescale. Main products comprise IC,Modules,Potentiometer,IC Socket,Relay,Connector.Our parts cover such applications as commercial,industrial, and automotives areas.

We are looking forward to setting up business relationship with you and hope to provide you with the best service and solution. Let us make a better world for our industry!



Contact us

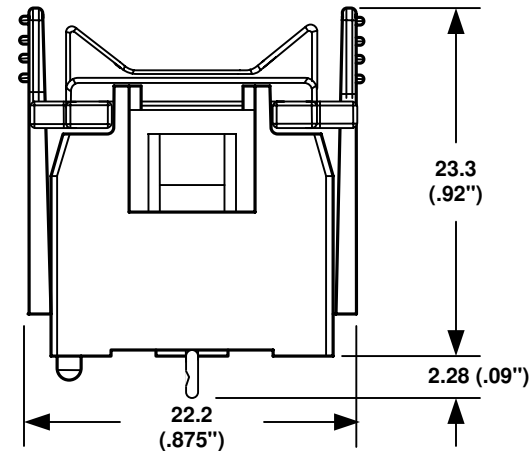
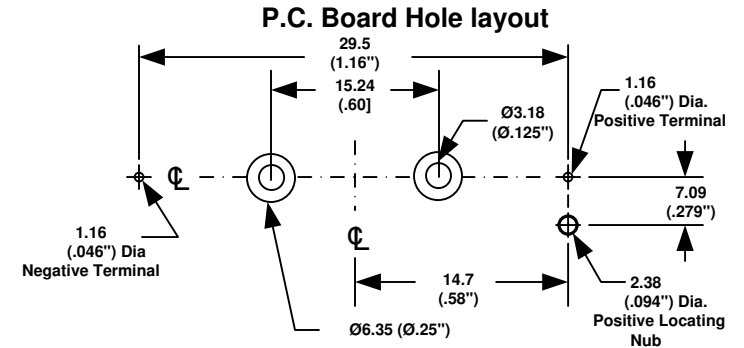
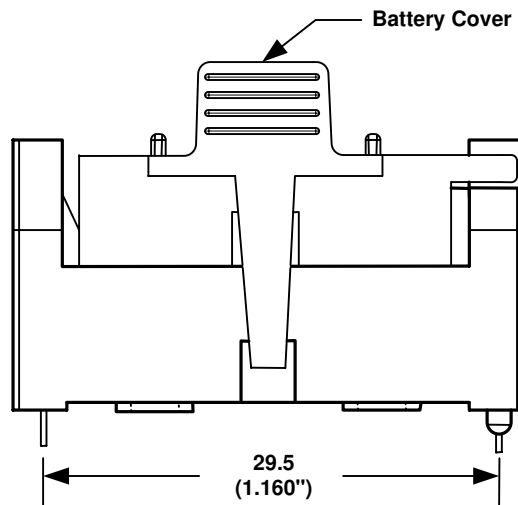
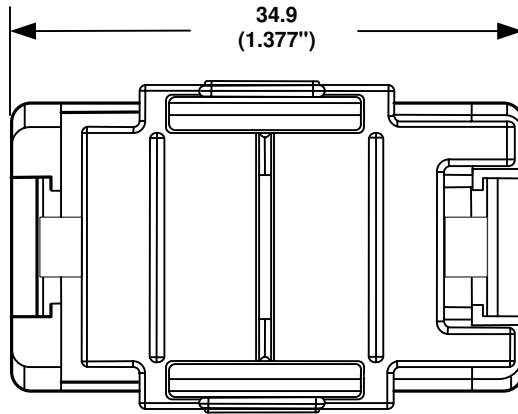
Tel: +86-755-8981 8866 Fax: +86-755-8427 6832

Email & Skype: info@chipsmall.com Web: www.chipsmall.com

Address: A1208, Overseas Decoration Building, #122 Zhenhua RD., Futian, Shenzhen, China



DATE	SYM	REVISION RECORD	AUTH	DR.	CK.
4/17/09	A	ADDED DISTANCE BETWEEN MOUNTING HOLES	T.B.	B.S.	




SPECIFICATIONS

Material:

Holder: P/N.ABG-135, BA1/2AA, Self extinguishing thermoplastic, PBT, black
 Flammability Rating: UL94 V-0, File No. E56070 (S)
 Dielectric Strength: 560 volts/mil at 25°C for 5 sec
 Temperature Range: -55°C to 180°C
 Resistance to Solvent: Xylene, Ethyl, Butyl, Methyl, Propyl Alcohol, Ethyl Acetate, Refrigerants, Heptane & Toluene
 Contacts: P/N.ABG-140, BC1/2AA, 302 Spring Tempered Stainless Steel Nickel Plated
 Cover: P/N.0894-1, CBA1/2AA, UL94 V-0, File No. E41797 (M)
NOTE: Eyelet Simpson Style # A1883 .110"OD x .190" flange
 Flange recess .203" Dia. x .090" deep.
Accessories: BI - UM - 3 - 4 Insulator.

Note: Dimensions in mm. (inches)

TOLERANCES (EXCEPT AS NOTED)		 Memory Protection Devices, Inc. 200 Broad Hollow Road, Farmingdale, New York 11735	
DECIMAL			
+ .5 (.020)			APPROVED BY
FRACTIONAL	TITLE	1/2 "AA" CELL BATTERY HOLDER ASSEMBLY	
+ .8 (.030)			
ANGULAR	DATE	DRAWING NUMBER	
+ 3°	4/17/2009	BA1/2AAPC	