



Chipsmall Limited consists of a professional team with an average of over 10 year of expertise in the distribution of electronic components. Based in Hongkong, we have already established firm and mutual-benefit business relationships with customers from,Europe,America and south Asia,supplying obsolete and hard-to-find components to meet their specific needs.

With the principle of “Quality Parts,Customers Priority,Honest Operation,and Considerate Service”,our business mainly focus on the distribution of electronic components. Line cards we deal with include Microchip,ALPS,ROHM,Xilinx,Pulse,ON,Everlight and Freescale. Main products comprise IC,Modules,Potentiometer,IC Socket,Relay,Connector.Our parts cover such applications as commercial,industrial, and automotives areas.

We are looking forward to setting up business relationship with you and hope to provide you with the best service and solution. Let us make a better world for our industry!



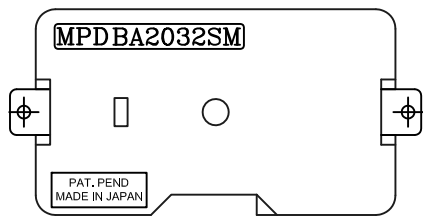
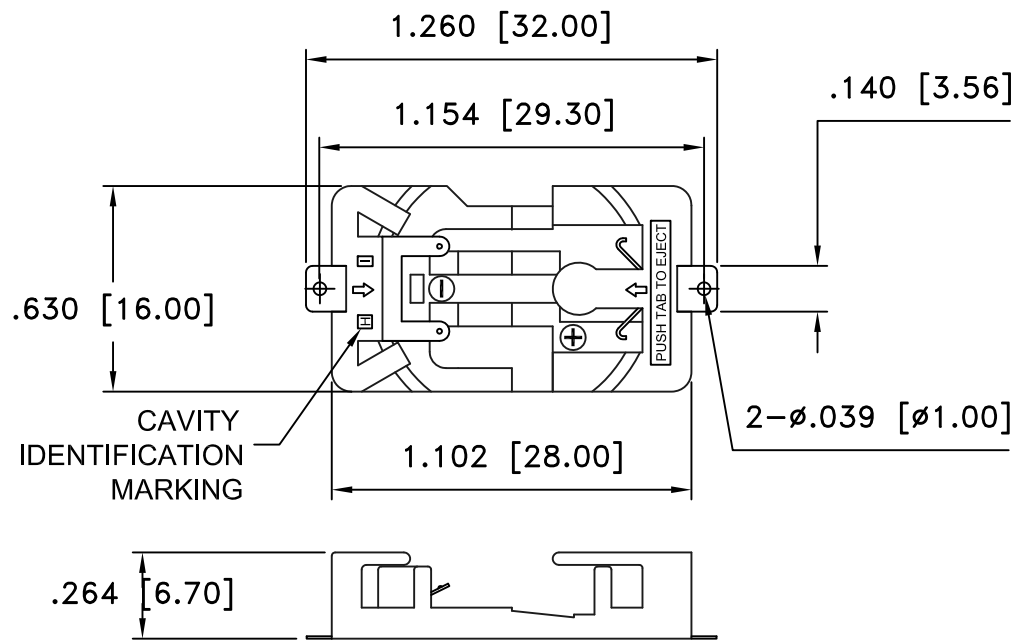
Contact us

Tel: +86-755-8981 8866 Fax: +86-755-8427 6832

Email & Skype: info@chipsmall.com Web: www.chipsmall.com

Address: A1208, Overseas Decoration Building, #122 Zhenhua RD., Futian, Shenzhen, China

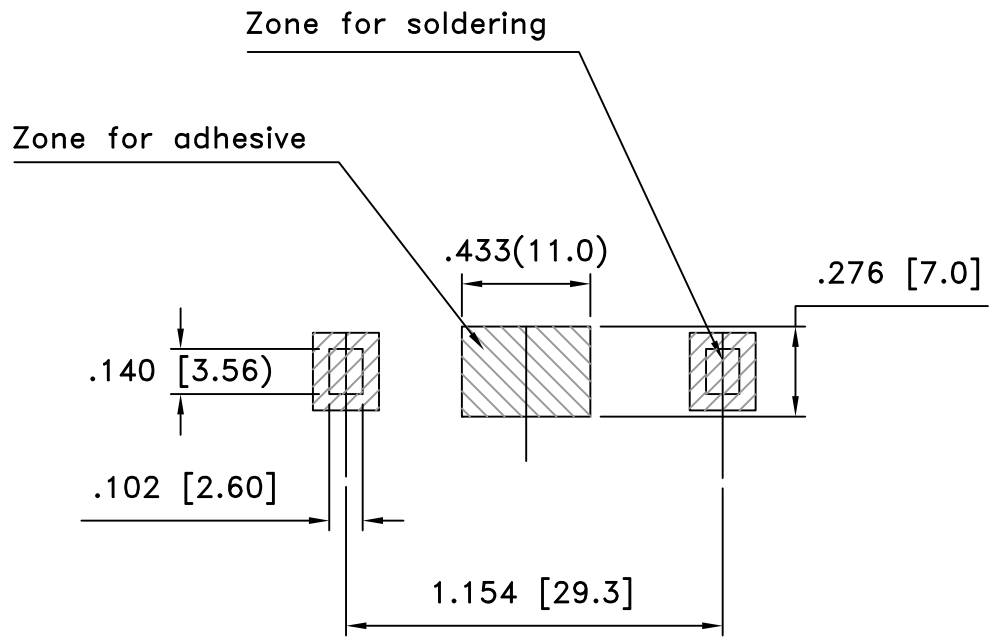




SPECIFICATIONS:


- * Holder material—30% glass-filled nylon 66, UL94 HB
- * Contacts—sus 301, nickel-plated overall with gold flash
- * Temperature range— -40°C to +225°C.
- * Vibration test 10 ~ 50 10 Hz swept in 60 seconds
X,Y,Z direction 1 hour each direction
Result: No dislodgement of the cell or damage
No discontinuity over 10 micro-seconds.
- * Soldering per JSTD020C Table 4.1
- * Drop Test:
Mounted on board and dropped 5 times from 1m high to concrete floor
Result: NO dislodgement of the cell, No damage to the holders
- * Shock Test: Half sine wave acceleration 150G. 6 micro-seconds.
X,Y,Z direction 3 times each direction
Result: No dislodgement of cell
No damage to the holder.
- * Temperature resistance test: 80°C 168 hours with battery on
Result: Contact resistance— below 100m ohms
Insulation resistance—over 100m ohms.
- * Temperature shock test: -30°C ↔ 80°C 1hours 100cycles
Contact resistance— below 100m ohms
Insulation resistance—over 100m ohms
Voltage resistance— No damage.
- * ROHS COMPLIANT

Date	SYM	REVISION RECORD	AUTH	DR.	CK.
11/05/05	A	ADDED "ROHS COMPLIANT"	T.B.	B.S.	
2/11/06	B	ADDED PATENT NUMBER	T.B.	B.S.	
2/17/07	C	DIMENSION .140 WAS .138	T.B.	B.S.	
4/26/08	D	ADDED SOLDERING SPEC.	T.B.	B.S.	
6/27/08	E	MATERIAL WAS UL94V-0	T.B.	B.S.	
4/02/10	F	ADDED MARKINGS	T.B.	B.S.	



PCB SPACING

PATENT NO. 5,922,489

Tolerance (Except as noted)	 Memory Protection Devices, Inc 200 Broad Hollow Road, Farmingdale, New York 11735	Scale	Drawn By T.S.
decimal ±.5 (.020)		2=1	Approved By T.B.
Fractional ± .8 (.030)	Title COIN CELL HOLDER		
Angular ± 3°	Date 4/02/10	Drawing Number BA2032SM	