



Chipsmall Limited consists of a professional team with an average of over 10 year of expertise in the distribution of electronic components. Based in Hongkong, we have already established firm and mutual-benefit business relationships with customers from,Europe,America and south Asia,supplying obsolete and hard-to-find components to meet their specific needs.

With the principle of “Quality Parts,Customers Priority,Honest Operation,and Considerate Service”,our business mainly focus on the distribution of electronic components. Line cards we deal with include Microchip,ALPS,ROHM,Xilinx,Pulse,ON,Everlight and Freescale. Main products comprise IC,Modules,Potentiometer,IC Socket,Relay,Connector.Our parts cover such applications as commercial,industrial, and automotives areas.

We are looking forward to setting up business relationship with you and hope to provide you with the best service and solution. Let us make a better world for our industry!



Contact us

Tel: +86-755-8981 8866 Fax: +86-755-8427 6832

Email & Skype: info@chipsmall.com Web: www.chipsmall.com

Address: A1208, Overseas Decoration Building, #122 Zhenhua RD., Futian, Shenzhen, China



5-channel stereo graphic equalizer

BA3822LS / BA3822FS / BA3823LS / BA3824LS

The BA3822LS, BA3822FS, BA3823LS, and BA3824LS are monolithic, five-point stereo graphic equalizer ICs. Each IC has two channels, and the five center frequencies for each channel are independently set using external capacitors. These ICs feature a wide operating power supply voltage range ($V_{CC} = 3.5V$ to $14V$), and are available in compact 24-pin SZIP and SSOP packages, depending on the type. This makes them an ideal choice for home stereo systems, radio cassette players, and car stereos.

The difference between the ICs is the amount of boost and cut control. Choose according to the requirements of your application.

● Applications

Five-point stereo graphic equalizer for home and car stereo systems.

● Features

- 1) Allows construction of a five-point stereo graphic equalizer with a single IC.
- 2) Wide operating power supply voltage range ($V_{CC} = 3.5V$ to $14V$).
- 3) Low current dissipation ($I_Q = 7mA$).
- 4) Available in compact SZIP/SSOP-A24 packages.

● Absolute maximum ratings ($T_a = 25^\circ C$)

Parameter	Symbol	Limits	Unit
Applied voltage	V_{CC}	16	V
Power dissipation	P_d	500*1 (SZIP) , 800*2 (SSOP)	mW
Operating temperature	T_{opr}	$-25 \sim +75$	$^\circ C$
Storage temperature	T_{stg}	$-55 \sim +125$	$^\circ C$

*1 Reduced by 5mW for each increase in T_a of $1^\circ C$ over $25^\circ C$.

*2 Reduced by 8mW for each increase in T_a of $1^\circ C$ over $25^\circ C$.

● Recommended operating conditions ($T_a = 25^\circ C$)

Parameter	Symbol	Min.	Typ.	Max.	Unit
Power supply voltage	V_{CC}	3.5	8	14	V

●Electrical characteristics

BA3822LS and BA3822FS

(unless otherwise noted, $T_a = 25^\circ\text{C}$, $V_{CC} = 8\text{V}$, $V_{IN} = 100\text{mV}_{\text{rms}}$ (1kHz), $R_L = 20\text{k}\Omega$, and $F = \text{FLAT}$)

Parameter	Symbol	Min.	Typ.	Max.	Unit	Conditions
Circuit current	I_{CC}	4.5	7	9.5	mA	No input
Maximum input voltage	V_{INm}	0.4	0.6	—	V_{rms}	THD=1%
Total harmonic distortion	THD	—	0.1	0.3	%	
Output noise voltage	V_{ND}	—	10	20	μV_{rms}	$R_{IN}=2.2\text{k}\Omega$
Input / output gain	G_V	-3	-1.5	0	dB	
Control range	CR	± 9	± 11	± 14	dB	
Stereo crosstalk	CT_{L-R}	60	70	—	dB	Between channels
Stereo balance	CB_{L-R}	-2	0	2	dB	Between channels

BA3823LS

(unless otherwise noted, $T_a = 25^\circ\text{C}$, $V_{CC} = 8\text{V}$, $V_{IN} = 100\text{mV}_{\text{rms}}$ (1kHz), $R_L = 20\text{k}\Omega$, and $F = \text{FLAT}$)

Parameter	Symbol	Min.	Typ.	Max.	Unit	Conditions
Circuit current	I_{CC}	4.3	6.7	9.2	mA	No input
Maximum input voltage	V_{Om}	0.5	0.6	—	V_{rms}	THD=1%
Total harmonic distortion	THD	—	0.01	0.3	%	
Output noise voltage	V_{ND}	—	3	20	μV_{rms}	$R_{IN}=2.2\text{k}\Omega$, DIN AUDIO
Input / output gain	G_V	-1.0	0.5	1.5	dB	
Control range	CR	± 7	± 10	± 13	dB	
Crosstalk	CT	60	73	—	dB	Between channels
Channel balance	CB	-1.5	0	1.5	dB	Between channels
Ripple rejection ratio	RR	35	50	—	dB	$f=100\text{Hz}$, $V_{IN}=-20\text{dBm}$

BA3824LS

(unless otherwise noted, $T_a = 25^\circ\text{C}$, $V_{CC} = 8\text{V}$, $V_{IN} = 100\text{mV}_{\text{rms}}$ (1kHz), $R_L = 20\text{k}\Omega$, and $F = \text{FLAT}$)

Parameter	Symbol	Min.	Typ.	Max.	Unit	Conditions
Circuit current	I_{CC}	4.5	7	9.5	mA	No input
Maximum input voltage	V_{INm}	0.4	0.6	—	V_{rms}	THD=1%
Total harmonic distortion	THD	—	0.1	0.3	%	
Output noise voltage	V_{ND}	—	10	20	μV_{rms}	$R_{IN}=2.2\text{k}\Omega$
Input / output gain	G_V	-3	-1.5	0	dB	
Control range	CR	± 6	± 8.5	± 11	dB	
Stereo crosstalk	CT_{L-R}	60	70	—	dB	Between channels
Stereo balance	CB_{L-R}	-2	0	2	dB	Between channels

● Differences between the BA3822LS, BA3822FS, BA3823LS and BA3824LS

● Control range gain

	Control range			Unit
	Min.	Typ.	Max.	
BA3822LS/BA3822FS	±9	±11	±14	dB
BA3823LS	±7	±10	±13	dB
BA3824LS	±6	±8.5	±11	dB

● External components

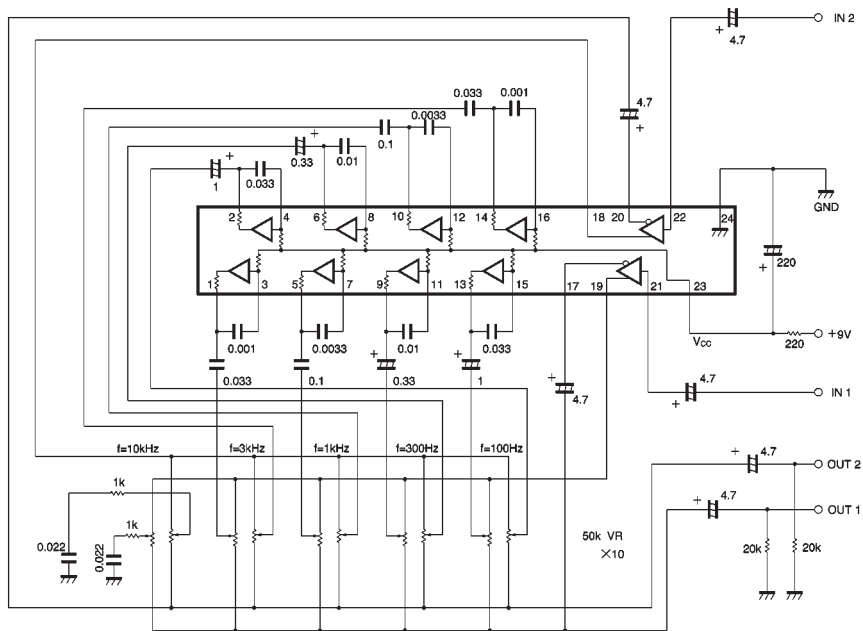
As the ICs have different control range gain, the external component values are different for the same center frequencies.

● Ripple rejection

The BA3823LS circuit design has excellent ripple rejection, and the external ripple filter can be omitted.

● Application examples

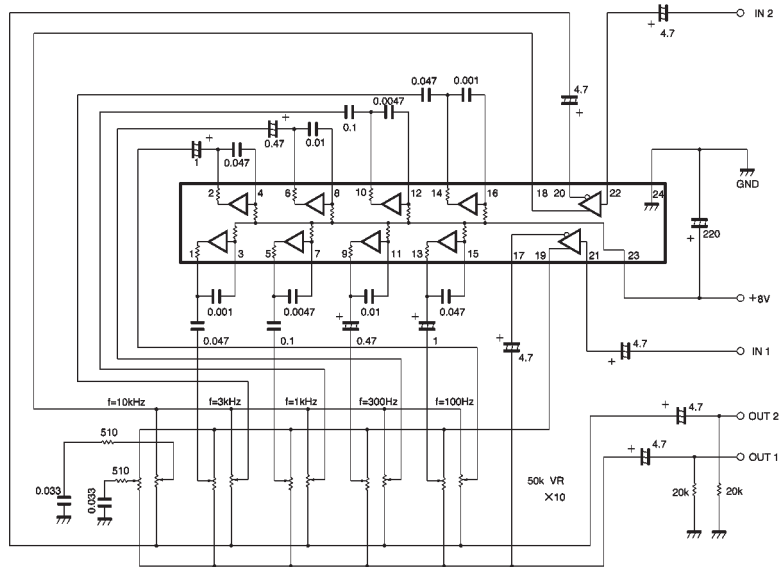
BA3822LS



- Units:
 Resistance (carbon) : Ω (±5%)
 Capacitance (film) : µF (±10%)
 Capacitance (electrolytic) : µF (±20%)
 Capacitance (ceramic) : pF (±10%)(680pF)
 Potentiometer (carbon) : 50kΩ, B-type (±10%)

Fig.1

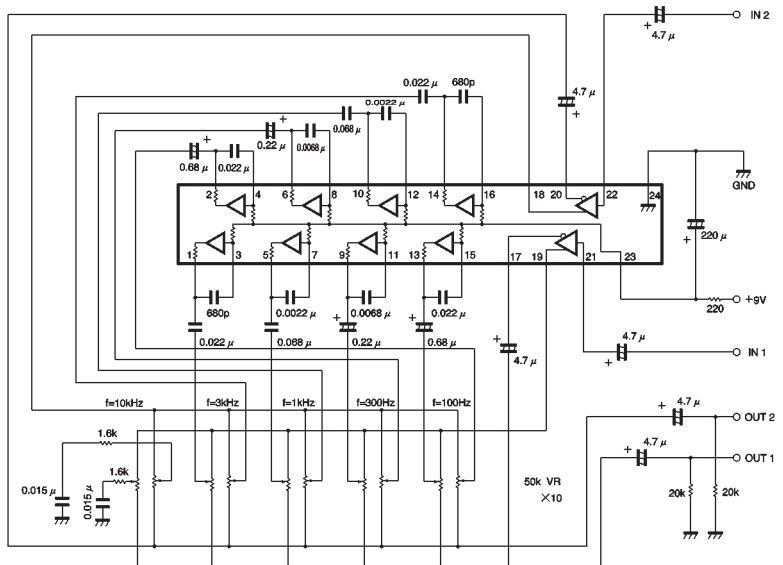
BA3823LS



- Units:
 Resistance (carbon) : Ω ($\pm 5\%$)
 Capacitance (film) : μF ($\pm 10\%$)
 Capacitance (electrolytic) : μF ($\pm 20\%$)
 Capacitance (ceramic) : pF ($\pm 10\%$) (680 pF)
 Potentiometer (carbon) : 50k Ω , B-type ($\pm 10\%$)

Fig.2

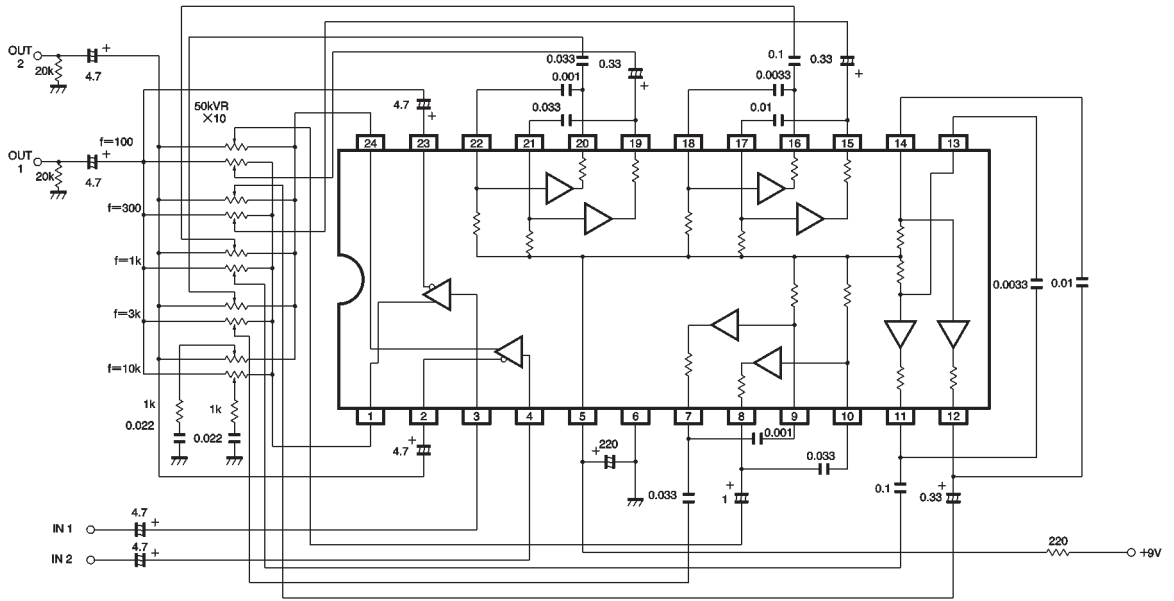
BA3824LS



- Units:
 Resistance (carbon) : Ω ($\pm 5\%$)
 Capacitance (film) : μF ($\pm 10\%$)
 Capacitance (electrolytic) : μF ($\pm 20\%$)
 Capacitance (ceramic) : pF ($\pm 10\%$) (680 pF)
 Potentiometer (carbon) : 50k Ω , B-type ($\pm 10\%$)

Fig.3

BA3822FS



- Units:
 Resistance (carbon) : Ω ($\pm 5\%$)
 Capacitance (film) : μF ($\pm 10\%$)
 Capacitance (electrolytic) : μF ($\pm 20\%$)
 Potentiometer (carbon) : 50k Ω , B-type ($\pm 10\%$)

Fig.4

●External dimensions (Units: mm)

