



Chipsmall Limited consists of a professional team with an average of over 10 year of expertise in the distribution of electronic components. Based in Hongkong, we have already established firm and mutual-benefit business relationships with customers from,Europe,America and south Asia,supplying obsolete and hard-to-find components to meet their specific needs.

With the principle of “Quality Parts,Customers Priority,Honest Operation,and Considerate Service”,our business mainly focus on the distribution of electronic components. Line cards we deal with include Microchip,ALPS,ROHM,Xilinx,Pulse,ON,Everlight and Freescale. Main products comprise IC,Modules,Potentiometer,IC Socket,Relay,Connector.Our parts cover such applications as commercial,industrial, and automotives areas.

We are looking forward to setting up business relationship with you and hope to provide you with the best service and solution. Let us make a better world for our industry!



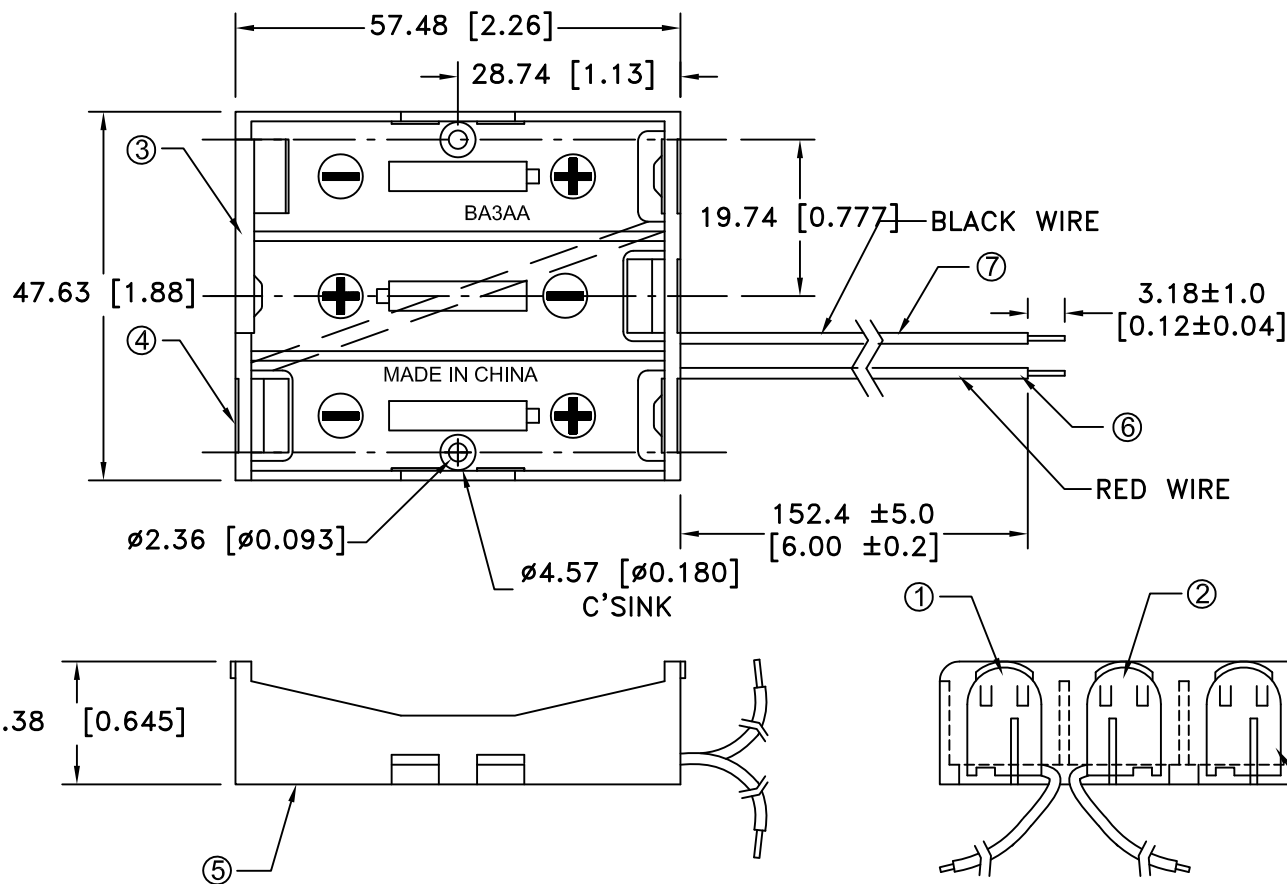
## Contact us

Tel: +86-755-8981 8866 Fax: +86-755-8427 6832

Email & Skype: info@chipsmall.com Web: www.chipsmall.com

Address: A1208, Overseas Decoration Building, #122 Zhenhua RD., Futian, Shenzhen, China





Date	SYM	REVISION RECORD	AUTH	DR.	CK.
10/28/06	A	Added mounting instruction. Ø2.36 was 2.18. Ø4.57 was 4.70	T.B.	B.S.	
10/09/09	B	Added specification.	T.B.	B.S.	
02/17/12	C	Added Dim. 28.74	T.B.	B.S.	
12/14/12	D	Updated wire specification	T.B.	B.S.	

**MOUNTING INSTRUCTION:**  
 USE 2-56 MACHINE SCREWS OR EYELETS 0.089" OD BY 0.15" FLANGE STIMPSON GS-3 SERIES OR EQUIVALENT. ALSO ADHESIVES AND DOUBLE SIDED TAPES WORK WELL.

**SPECIFICATION:**

- HOUSING : BLACK POLYPROPYLENE  
 FLAMMABILITY RATING -UL94-HB, UL FILE NO. E216959  
 TEMPERATURE RANGE: -10°C to +100°C  
 CONTACTS: NICKLE PLATED STAINLESS STEEL  
 WIRES: 24AWG, UL1007, CSA VW-1, 300V, 80°C  
 CONTACT RESISTANCE: UNDER 50mΩ FOR +/- CONTACTS PER EIA-540J000  
 ROHS COMPLIANT

ITEM NO.	PART NO.	MATL. SPECIFICATION	QTY.	Tolerance (Except as noted)	MPD Memory Protection Devices, Inc 200 Broad Hollow Road, Farmingdale, New York 11735		
1	ABG-194	POSITIVE CONTACT, 302 STAINLESS STEEL, NICKLE PLTD.	2	decimal	Scale	Drawn By B.S.	
2	ABG-195	NEGATIVE CONTACT, 302 STAINLESS STEEL, NICKLE PLTD.	1	±.5 (.020)		Approved By T.B.	
3	ABG-196-1	RIGHT NEG./POS. CONTACT, 302 STAINLESS STEEL, NICKLE PLTD.	1	Fractional	Title THREE "AA" CELL SPRINGLESS HOLDER		
4	ABG-201	ASSY. NEG./POS. CONTACT, 302 STAINLESS STEEL, NICKLE PLTD.	1	± .8 (.030)			
5	ABG-198	BLACK POLYPROPYLENE HOLDER, UL94-HB	1	Angular ± 3°	Date	Drawing Number	
6		RED WIRE, 24AWG, UL1007, CSA VW-1, 80°C	1		12/14/12	BA3AAW	
7		BLACK WIRE, 24AWG, UL1007, CSA VW-1, 80°C	1				