



Chipsmall Limited consists of a professional team with an average of over 10 year of expertise in the distribution of electronic components. Based in Hongkong, we have already established firm and mutual-benefit business relationships with customers from,Europe,America and south Asia,supplying obsolete and hard-to-find components to meet their specific needs.

With the principle of “Quality Parts,Customers Priority,Honest Operation,and Considerate Service”,our business mainly focus on the distribution of electronic components. Line cards we deal with include Microchip,ALPS,ROHM,Xilinx,Pulse,ON,Everlight and Freescale. Main products comprise IC,Modules,Potentiometer,IC Socket,Relay,Connector.Our parts cover such applications as commercial,industrial, and automotives areas.

We are looking forward to setting up business relationship with you and hope to provide you with the best service and solution. Let us make a better world for our industry!



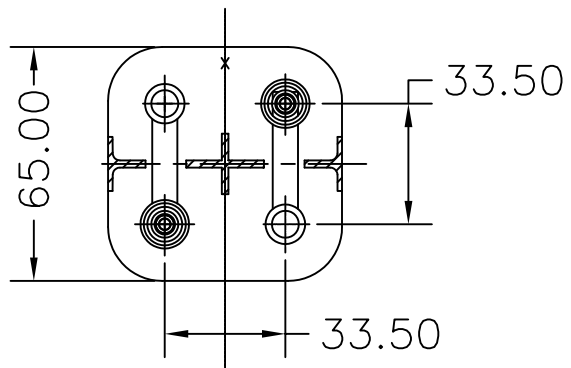
Contact us

Tel: +86-755-8981 8866 Fax: +86-755-8427 6832

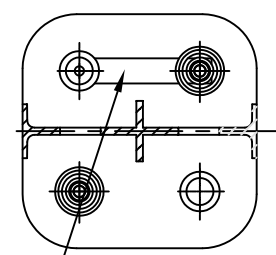
Email & Skype: info@chipsmall.com Web: www.chipsmall.com

Address: A1208, Overseas Decoration Building, #122 Zhenhua RD., Futian, Shenzhen, China

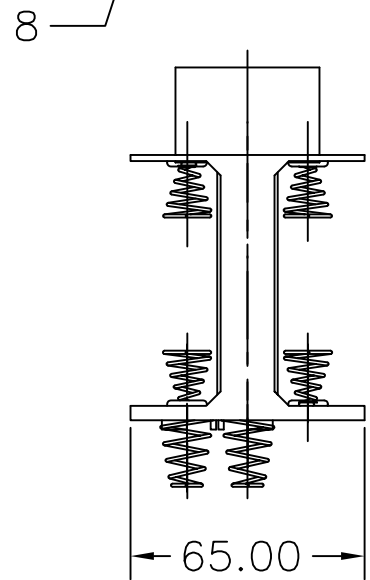
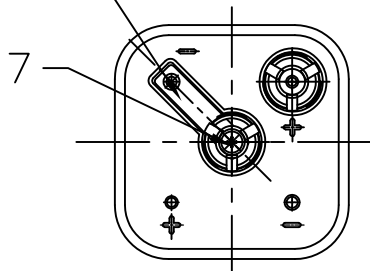
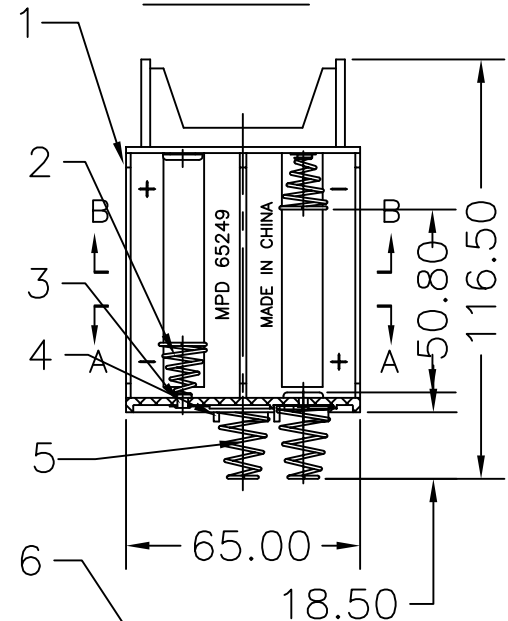




SECTION B-B




SECTION A-A



REVISIONS					
FER.FILE	ZNOE	QTY.	DESCRIPTION	REV.	CHANGED BY / DATE
			ADD CORRODE WORD	B	LJW DEC.13.00
			ADDED "ROHS COMPLIANT"	C	BS JAN.12.08

ROHS COMPLIANT

ITEM	PART NAME	MATERIAL	QTY	P/N
8	JUMP PLATE LONG	STEEL NI-PLATED	3	47-274102
7	SCREW M3X6	45# ST. NI-PLATED	1	41-225052
6	JUMP PLATE	STEEL NI-PLATED	1	47-274101
5	OUT SPRING	SPR-STEEL NI-PLATED	2	49-274101
4	PEDESTAL	STEEL NI-PLATED	2	47-274103
3	EYELET	SPR-STEEL NI-PLATED	4	44-100001
2	SPRING "-'	SPR-STEEL NI-PLATED	4	49-274102
1	BATTERY HSG	PP	1	53-27401

Tolerance (Except as noted)		 Memory Protection Devices, Inc 200 Broad Hollow Road, Farmingdale, New York 11735		
decimal ± .5 (.020)		Scale 1=1	Drawn By	
Fractional ± .8 (.030)	Title LANTERN BATTERY REPLACEMENT USING FOUR UM-1 OR D CELLS			
Angular ± 3°	Date 1/12/08	Drawing Number BA4D-S		