



Chipsmall Limited consists of a professional team with an average of over 10 year of expertise in the distribution of electronic components. Based in Hongkong, we have already established firm and mutual-benefit business relationships with customers from,Europe,America and south Asia,supplying obsolete and hard-to-find components to meet their specific needs.

With the principle of “Quality Parts,Customers Priority,Honest Operation,and Considerate Service”,our business mainly focus on the distribution of electronic components. Line cards we deal with include Microchip,ALPS,ROHM,Xilinx,Pulse,ON,Everlight and Freescale. Main products comprise IC,Modules,Potentiometer,IC Socket,Relay,Connector.Our parts cover such applications as commercial,industrial, and automotives areas.

We are looking forward to setting up business relationship with you and hope to provide you with the best service and solution. Let us make a better world for our industry!



## Contact us

Tel: +86-755-8981 8866 Fax: +86-755-8427 6832

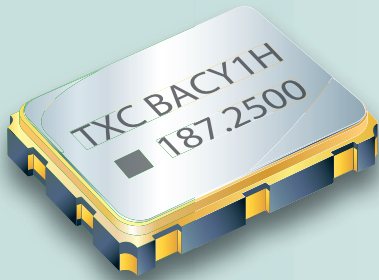
Email & Skype: info@chipsmall.com Web: www.chipsmall.com

Address: A1208, Overseas Decoration Building, #122 Zhenhua RD., Futian, Shenzhen, China



# SMD LVPECL Crystal Oscillators - Differential Output

## 7.0 x 5.0 x 1.3 mm BA Series



### Features

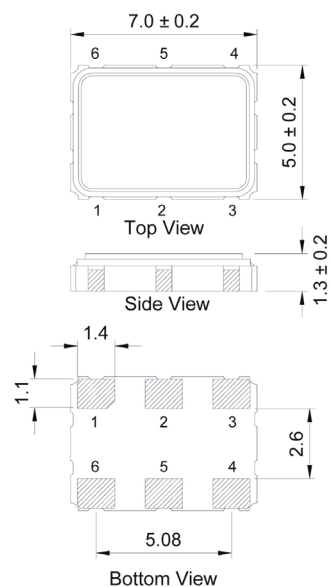
- Fundamental solution.
- 3.3V and 2.5V operation available.
- LVPECL output, output frequencies 25 MHz to 200 MHz.
- Excellent low phase noise and jitter.
- Tri-state function available.
- Applications : Fibre Channel, Gigabit Ethernet, Serial ATA, Serial Attached SCSI, PCI-Express, SDH / SONET.
- RoHS compliant / Pb Free.

### Electrical Specifications

Item / Type	BA
Output Type	LVPECL
Output Load	50 $\Omega$
Oscillation Mode	Fundamental
Supply Voltage (VDD)	2.5 V , 3.3 V
Frequency Range	25 ~ 200 MHz
Overall Frequency Stability *	$\pm$ 50 ppm , or specify
Operating Temperature Range	-10 ~ + 70 $^{\circ}$ C , - 40 ~ + 85 $^{\circ}$ C , or specify
Storage Temperature Range	- 55 ~ + 125 $^{\circ}$ C
Voltage Vol ( Max. ) / Voh ( Min. )	VDD - 1.62 V / VDD - 1.025 V
Rise ( Tr ) / Fall ( Tf ) Time ( 20 % ~ 80 % )	1 nS Max.
Supply Current	80 mA Max.
Symmetry	45 ~ 55 %
Start-up Time	10 mS Max.
Phase Jitter ( 12 KHz ~ 20 MHz )	1 pS Max.

\* Inclusive of frequency tolerance at 25  $^{\circ}$ C , variation over temperature, supply voltage variation, aging and vibration.

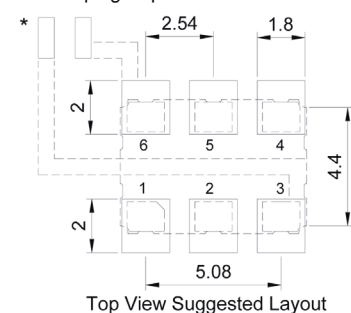
### Dimensions



#### PAD FUNCTION:

- 1: ENABLE CONTROL or NC
- 2: ENABLE CONTROL or NC
- 3: GND
- 4: OUT
- 5: OUTN
- 6: VDD

\* :External high frequency power supply decoupling required.



Units: mm