



Chipsmall Limited consists of a professional team with an average of over 10 year of expertise in the distribution of electronic components. Based in Hongkong, we have already established firm and mutual-benefit business relationships with customers from,Europe,America and south Asia,supplying obsolete and hard-to-find components to meet their specific needs.

With the principle of "Quality Parts,Customers Priority,Honest Operation,and Considerate Service",our business mainly focus on the distribution of electronic components. Line cards we deal with include Microchip,ALPS,ROHM,Xilinx,Pulse,ON,Everlight and Freescale. Main products comprise IC,Modules,Potentiometer,IC Socket,Relay,Connector.Our parts cover such applications as commercial,industrial, and automotives areas.

We are looking forward to setting up business relationship with you and hope to provide you with the best service and solution. Let us make a better world for our industry!



## Contact us

Tel: +86-755-8981 8866 Fax: +86-755-8427 6832

Email & Skype: info@chipsmall.com Web: www.chipsmall.com

Address: A1208, Overseas Decoration Building, #122 Zhenhua RD., Futian, Shenzhen, China



DO NOT  
SCALE FROM  
THIS PRINT

TABLE 1			
ITEM	COMPONENT	PART NUMBER	QUANTITY
1	HOUSING	BAR-022	1
2	COVER	BAR-CVR-022	1
3	ELASTOMER	BAR-GKT-022	1
4	SCREW	CCS-151850-01-MP	4

BAR-J-22

NUMBER OF POSITIONS  
-22: (USE BAR-022)

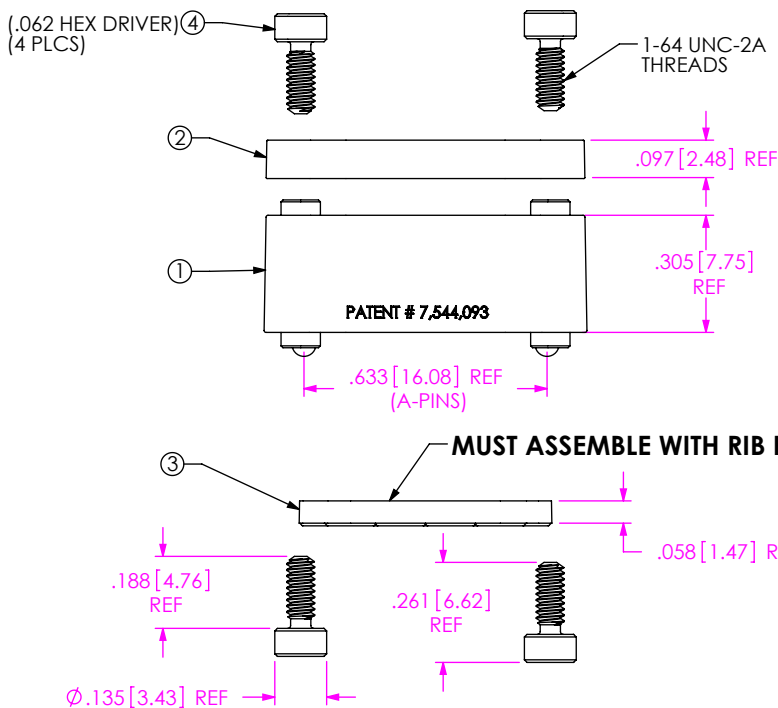
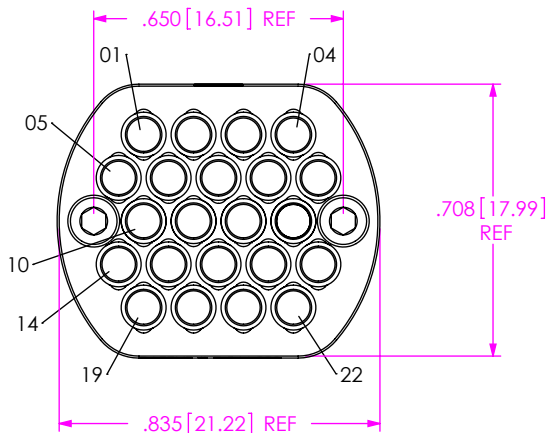
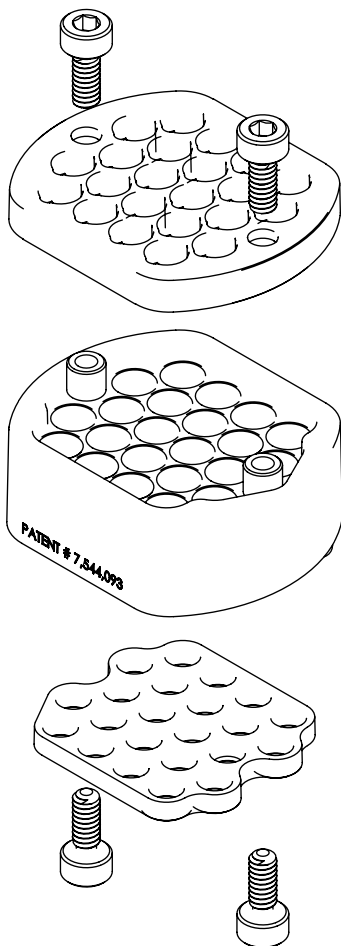


FIG 1  
BAR-J-22 SHOWN

NOTES:

1. Ⓢ REPRESENTS A CRITICAL DIMENSION.
2. TIGHTEN CCS-151850-01-MP TO 16 ± 10% IN/OUNCES.
3. CAT-EX-SCC-01 SOLD SEPARATELY, AND AVAILABLE IF NEEDED; SEE SHEET 2 FOR APPLICATION VIEW.
4. ALL COMPONENTS TO BE PACKAGED ASSEMBLED IN BAG BG-CCH WITH LABEL PL-BG-CCH ON THE OUTSIDE OF BAG.

UNLESS OTHERWISE SPECIFIED, DIMENSIONS ARE IN INCHES. TOLERANCES ARE:  
DECIMALS ANGLES  
.XX: ±.01 [.3] 2°  
.XXX: ±.005 [.13]  
.XXXX: ±.0020 [.051]

PROPRIETARY NOTE

THIS DOCUMENT CONTAINS CONFIDENTIAL AND PROPRIETARY INFORMATION AND ALL DESIGN, MANUFACTURING, REPRODUCTION, USE, PATENT RIGHTS AND SALES RIGHTS ARE EXPRESSLY RESERVED BY SAMTEC, INC. THIS DOCUMENT SHALL NOT BE DISCLOSED, IN WHOLE OR PART, TO ANY UNAUTHORIZED PERSON OR ENTITY NOR REPRODUCED, TRANSFERRED OR INCORPORATED IN ANY OTHER PROJECT IN ANY MANNER WITHOUT THE EXPRESS WRITTEN CONSENT OF SAMTEC, INC.



520 PARK EAST BLVD, NEW ALBANY, IN 47150  
PHONE: 812-944-6733 FAX: 812-948-5047  
e-Mail info@SAMTEC.com code 55322

MATERIAL: DO NOT SCALE DRAWING SHEET SCALE: 2:1  
CCS-151850-01-M: C360 BRASS  
BAR-CVR-022: ZINC  
BAR-022: LCP UL 94V-0, COLOR: BLACK  
BAR-GKT-022: CONDUCTIVE ELASTOMER

DESCRIPTION:  
22 POSITION BULLSEYE HEADER

DWG. NO. BAR-J-22

BY: B RAY 01/08/2010 SHEET 1 OF 2

PATENT NUMBER  
7,544,093

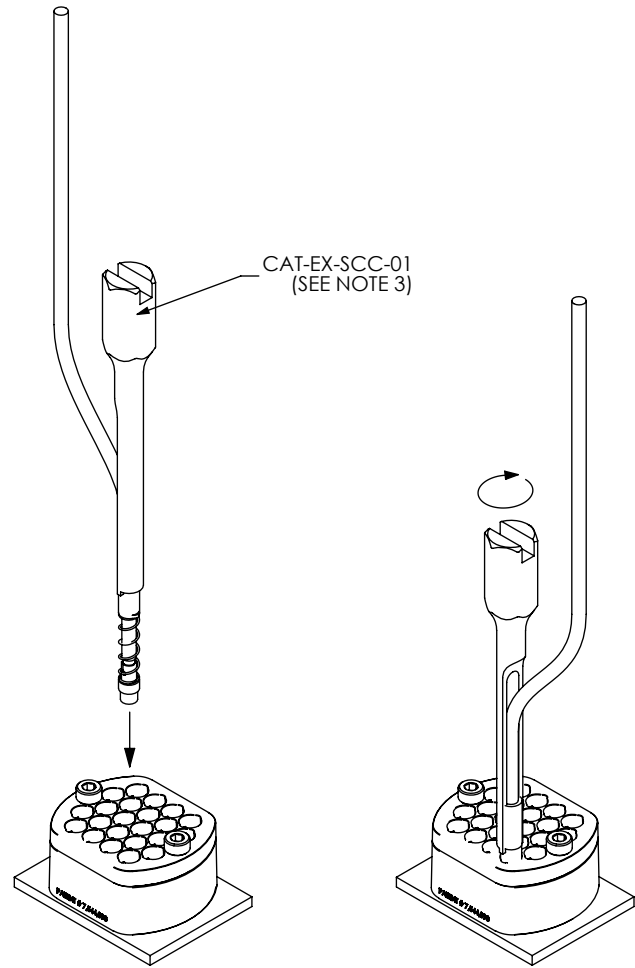
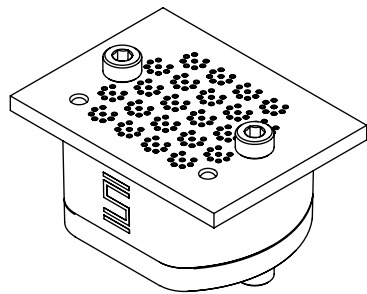



FIG 2  
CAT-EX-SCC-01-APPLICATION VIEW

<p><b>PROPRIETARY NOTE</b></p> <p>THIS DOCUMENT CONTAINS CONFIDENTIAL AND PROPRIETARY INFORMATION AND ALL DESIGN, MANUFACTURING, REPRODUCTION, USE, PATENT RIGHTS AND SALES RIGHTS ARE EXPRESSLY RESERVED BY SAMTEC, INC. THIS DOCUMENT SHALL NOT BE DISCLOSED, IN WHOLE OR PART, TO ANY UNAUTHORIZED PERSON OR ENTITY NOR REPRODUCED, TRANSFERRED OR INCORPORATED IN ANY OTHER PROJECT IN ANY MANNER WITHOUT THE EXPRESS WRITTEN CONSENT OF SAMTEC, INC.</p>	 <p>520 PARK EAST BLVD, NEW ALBANY, IN 47150 PHONE: 812-944-6733 FAX: 812-948-5047 e-Mail info@SAMTEC.com code 55322</p>
<p>DO NOT SCALE DRAWING</p>	<p>DESCRIPTION: 22 POSITION BULLSEYE HEADER</p>
<p>SHEET SCALE: 1:0.666667</p>	<p>DWG. NO. <b>BAR-J-22</b></p>
<p>F:\DWG\MISC\MKTG\BAR-J-22-MKT.SLDRW</p>	<p>BY: B RAY 01/08/2010 SHEET 2 OF 2</p>