



Chipsmall Limited consists of a professional team with an average of over 10 year of expertise in the distribution of electronic components. Based in Hongkong, we have already established firm and mutual-benefit business relationships with customers from,Europe,America and south Asia,supplying obsolete and hard-to-find components to meet their specific needs.

With the principle of “Quality Parts,Customers Priority,Honest Operation,and Considerate Service”,our business mainly focus on the distribution of electronic components. Line cards we deal with include Microchip,ALPS,ROHM,Xilinx,Pulse,ON,Everlight and Freescale. Main products comprise IC,Modules,Potentiometer,IC Socket,Relay,Connector.Our parts cover such applications as commercial,industrial, and automotives areas.

We are looking forward to setting up business relationship with you and hope to provide you with the best service and solution. Let us make a better world for our industry!



Contact us

Tel: +86-755-8981 8866 Fax: +86-755-8427 6832

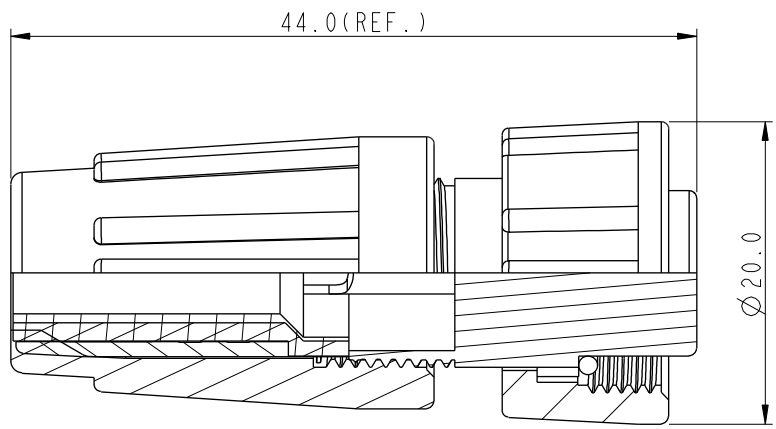
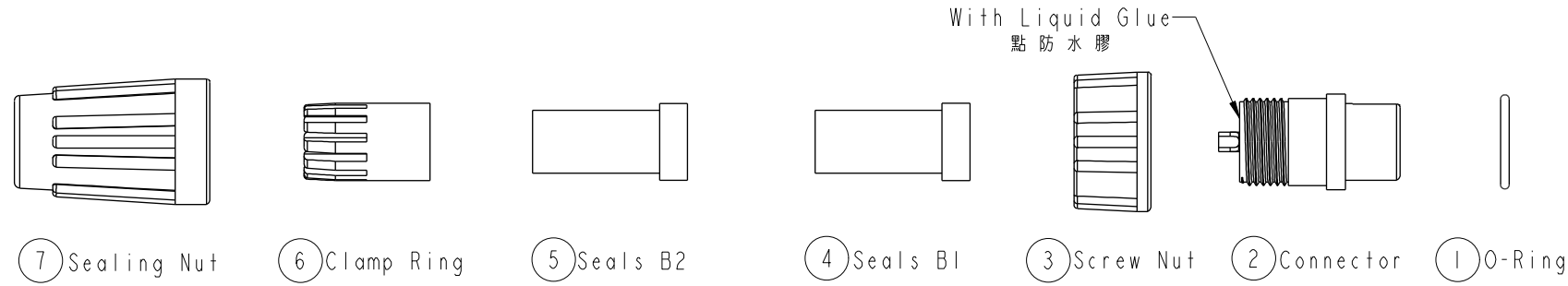
Email & Skype: info@chipsmall.com Web: www.chipsmall.com

Address: A1208, Overseas Decoration Building, #122 Zhenhua RD., Futian, Shenzhen, China



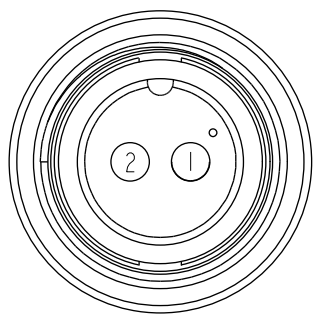
THIS DOCUMENT IS SUBJECT TO CHANGE WITHOUT NOTICE. IT IS CONFIDENTIAL AND A PROPERTY OF Amphenol LTW. DISCLOSURE TO THIRD PARTY HAS TO BE AUTHORIZED BY Amphenol LTW.

REV.	ECN NO.	DATE	SIGN	DESCRIPTION



ALTW
DCC. DEPT.
CONFIDENTIAL
2012-03-19
ISSUED

ALTW
CONFIDENTIAL
2012-03-14
R&D DEPT.



Pin Assignments
Front View 前視圖

Note:

- * Seals B1 for Cable OD: $\varnothing 4.5\text{mm} \sim \varnothing 6.5\text{mm}$
(防水墊圈B1線徑: $\varnothing 4.5\text{mm} \sim \varnothing 6.5\text{mm}$)
- * Seals B2 for Cable OD: $\varnothing 3.5\text{mm} \sim \varnothing 5.3\text{mm}$
(防水墊圈B2線徑: $\varnothing 3.5\text{mm} \sim \varnothing 5.3\text{mm}$)
- * One Set Unassembled in One PE Bag
(一組未組裝, 放置於一個PE袋, 並封口)
- * CC Important Dimension.
- * Waterproof Rate : IP66
- * Ring: Black, EPDM
- * Housing: Black, Nylon+GF
- * Pin: Copper Alloy, Gold Plated
- * Screw Nut: Black, Nylon+GF
- * Seals: Black, EPDM
- * Clamping Ring: Black, Nylon
- * Sealing Nut: Black, Nylon
- * PE Bag: 90mm*85mm
- * Liquid Glue: Clear

UNIT: mm		TITLE Standard, Assy Screw 2Pin F Conn F Pin
TOLERANCE .X ±0.25 .XX ±0.1 .XXX ±0.05 ANGLES ±1°	SCALE 1:1	SIZE A4
	REV. A	SHEET 1 OF 1
	WC-REV. A.4	CC : Inspection item

Amphenol LTW
安費諾亮泰企業股份有限公司

ITEM NO. BB-02BFFA-SL6001	DRAWN BY SamChang	DATE 2012-03-14
DWG NO. BB-02BFFA-SL6001	CHECKED BY Jeffrey	DATE 2012-03-19
CUSTOMER ALTW	APPROVED BY Kevin	DATE 2012-03-19