



Chipsmall Limited consists of a professional team with an average of over 10 year of expertise in the distribution of electronic components. Based in Hongkong, we have already established firm and mutual-benefit business relationships with customers from,Europe,America and south Asia,supplying obsolete and hard-to-find components to meet their specific needs.

With the principle of "Quality Parts,Customers Priority,Honest Operation,and Considerate Service",our business mainly focus on the distribution of electronic components. Line cards we deal with include Microchip,ALPS,ROHM,Xilinx,Pulse,ON,Everlight and Freescale. Main products comprise IC,Modules,Potentiometer,IC Socket,Relay,Connector.Our parts cover such applications as commercial,industrial, and automotives areas.

We are looking forward to setting up business relationship with you and hope to provide you with the best service and solution. Let us make a better world for our industry!



Contact us

Tel: +86-755-8981 8866 Fax: +86-755-8427 6832

Email & Skype: info@chipsmall.com Web: www.chipsmall.com

Address: A1208, Overseas Decoration Building, #122 Zhenhua RD., Futian, Shenzhen, China



Single-stage Surge Protector – RS-232, DB9 Connectors

Model 232SP9

B+B SMARTWORX

Powered by

ADVANTECH

www.advantech-bb.com



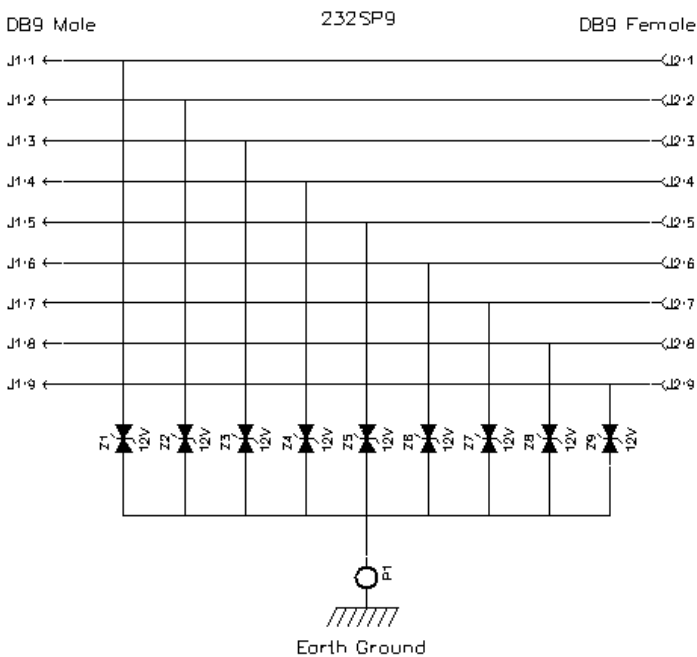
PRODUCT FEATURES

- 600W Transient Voltage Protection
- Protects All 9 Pins
- Compact Size
- Easy, Inline Installation

Model 232SP9 protects RS-232 ports from damage caused by large voltage peaks from lightning and other power problems. The surge protector uses 600W Transient Voltage Suppressors to protect all 9 pins. It has one DB9 male and one DB9 female connector with all 9 pins passing straight through. The TVSs are connected between the ground screw and pins 1, 2, 3, 4, 5, 6, 7, 8 and 9. The 232SP9 will suppress any voltage levels above 12 Volts without affecting the normal RS-232 data.

Model 232SP9 is placed inline, between the data cable and the RS-232 port, as close to the protected port as possible. The ground screw must be connected to earth ground. A minimum of 12 AWG copper wire is recommended. Model CU15B is a copper grouping strap, cut to length, for ground connections that are longer than a few feet (one meter). *If this device is not properly grounded, it will not protect RS-232 lines.*

PIN OUTS



ORDERING INFORMATION

MODEL NUMBER

232SP9	RS-232 Surge Protector, DB9
---------------	-----------------------------

ACCESSORIES - sold separately

9PAMF6 - DB9 male to DB9 female adapter cable, 1.8 m (6 ft.)

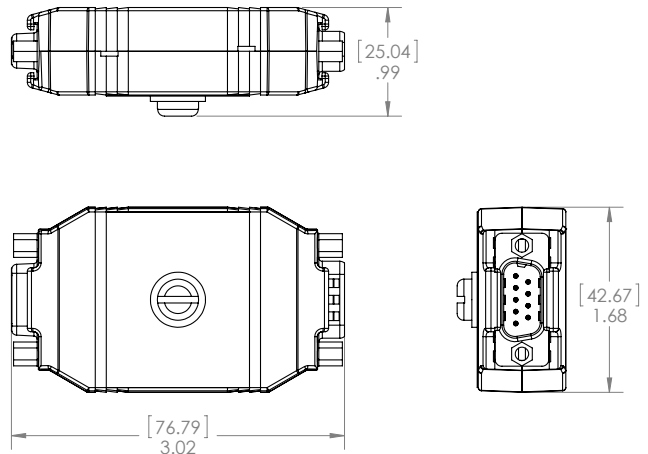
CU15B - Copper grounding strap, 38 x 0.25 mm (1.5 x 0.016 in) - sold by foot length

SPECIFICATIONS

Connectors	DB9 Male, DB9 Female
Clamping Voltage	12 Volts
Peak Pulse Power	600 Watts @ 1 msec.
Response Time	Less than 1 Picosecond
Typical Capacitance	200 Picofarads
Ground Screw	Size 10#
Dimensions	25.04L x 76.9W x 42.67H mm (.99L x 3.02W x 1.68H in)
MEANTIME BEFORE FAILURE (MTBF)	
MTBF	4268324 hours
MTBF Calc. Method	MIL117F Parts Count Reliability Prediction
CERTIFICATIONS	
CE/FCC	
2011/65/EU	Reduction of Hazardous Substance Directive

MECHANICAL DRAWING

Units = [mm] inches



All product specifications are subject to change without notice.

232SP9_3517ds

B+B SMARTWORX

Powered by

ADVANTECH

orders@advantech-bb.com
support@advantech-bb.com

Corporate Headquarters: 707 Dayton Road, PO Box 1040 Ottawa, IL 61350 USA 815-433-5100 Fax 433-5104
European Office: Westlink Commercial Park, Oranmore Co. Galway Ireland +353 91 792444 Fax +353 91 792445