



Chipsmall Limited consists of a professional team with an average of over 10 year of expertise in the distribution of electronic components. Based in Hongkong, we have already established firm and mutual-benefit business relationships with customers from,Europe,America and south Asia,supplying obsolete and hard-to-find components to meet their specific needs.

With the principle of “Quality Parts,Customers Priority,Honest Operation,and Considerate Service”,our business mainly focus on the distribution of electronic components. Line cards we deal with include Microchip,ALPS,ROHM,Xilinx,Pulse,ON,Everlight and Freescale. Main products comprise IC,Modules,Potentiometer,IC Socket,Relay,Connector.Our parts cover such applications as commercial,industrial, and automotives areas.

We are looking forward to setting up business relationship with you and hope to provide you with the best service and solution. Let us make a better world for our industry!



Contact us

Tel: +86-755-8981 8866 Fax: +86-755-8427 6832

Email & Skype: info@chipsmall.com Web: www.chipsmall.com

Address: A1208, Overseas Decoration Building, #122 Zhenhua RD., Futian, Shenzhen, China



Heavy Industrial RS-422/485 Isolated Repeater

Model 485OPDRI-PH

B+B SMARTWORX

Powered by

ADVANTECH

www.advantech-bb.com



PRODUCT FEATURES

- IEEE-61850-3, IEEE-1613
- NEMA TS2
- -40 to 85°C Operating Temperature
- Rugged IP30 Metal Panel Mount Case
- 50G Shock, 4G Vibration
- 2kV Triple Isolation
- 10 to 48 VDC Input Power

Model 485OPDRI-PH is our premium heavy industrial RS-422/485 isolated repeater. Designed for rugged industrial environments, it has been put through some of the most exacting compliance tests in the industry. Meeting the requirements of IEC 61850-3 and IEEE 1613, it is suitable for installation in electrical substations. These specifications are more stringent than the NEMA TS1/TS2 requirements for transportation applications. Powerful isolation on both data ports protects your equipment and data from damaging ground loops and surges. Additional isolation on the power supply circuits adds a third degree of protection.

Packaged in a rugged IP30 metal case, it extends full or half-duplex RS-422/485 signals an additional 4000 feet and allows you to add another 32 nodes to your network. Bit-wise enabled circuitry automatically detects the data rate without setting a DIP switch.

ORDERING INFORMATION

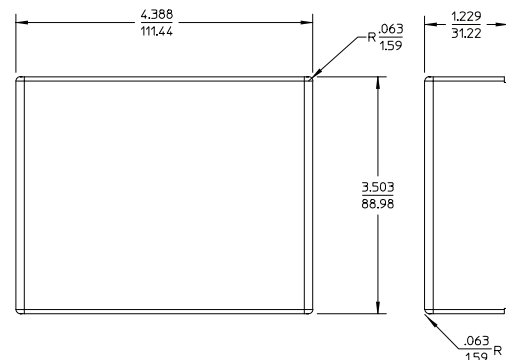
MODEL NUMBER	DESCRIPTION
485OPDRI-PH	Heavy Industrial RS-232 to RS-422/485 Isolated Repeater

ACCESSORIES

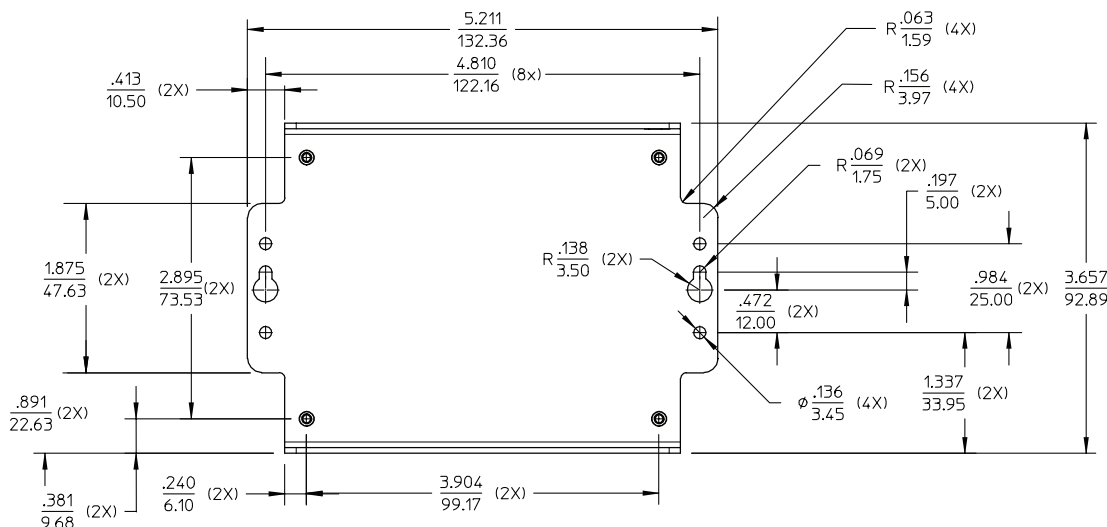
MDR-40-24 - DIN Rail Mount Power Supply 24VDC, 1.7 A output power

DRAD35 - DIN Rail Mounting Kit, 35mm

TBKT1 - Replacement Terminal Block, 2



MECHANICAL



All product specifications are subject to change without notice.

485OPDRI-PH_2917ds

Heavy Industrial RS-422/485 Isolated Repeater

Model 485OPDRI-PH



SPECIFICATIONS

SERIAL TECHNOLOGY	
RS-422	TDA(-), TDB(+), RDA(-), RDB(+)
RS-485 4-Wire	TDA(-), TDB(+), RDA(-), RDB(+)
RS-485 2-Wire	Data A(-), Data B(+)
RS-422/485 CON.	5 Position, Removable Terminal Block
Data Rate	1.2 to 115.2 Kbps
Isolation	2 KV RMS, 1 minute
Surge Protection	600 W Peak Power Dissipation Clamping time < 1 pico-second
Industrial Bus	Modbus ASCII / RTU
Bias	Built-in, switchable 1.2KΩ XMT/RCV
Termination	Built-in, switchable 120Ω
POWER	
Source	External
Power Connector	2-Position Removable Terminal Block
Input Voltage	10 to 48 VDC (56 VDC Maximum)
Power Consumption	0.5 W typical (2.3 W with termination)
TERMINAL BLOCKS	
Wire Size Accepted	28 to 12 AWG, Copper wire only
Pitch	5.08 mm
Insulation Resistance	≥500 MΩ @ 500 VDC
Maximum Torque	5 Kg / cm
Temperature Rating of field installed conductors	105°C minimum

INDICATORS	
Power	Red LED
TD / RD (Each Port)	Green LED
MECHANICAL	
Dimensions	13.24 x 9.29 x 3.30 cm 5.2 x 3.7 x 1.3 in
Enclosure	IP30 Metal, Panel Mount
Weight	0.46 lbs (208.65 grams)
MTBF	122832 Hours
MTBF Calc. Method	Parts Count Reliability Prediction
ENVIRONMENTAL	
Operating Temperature	-40 to 85°C (-40 to 176°F)
Storage Temperature	-40 to 85°C (-40 to 176°F)
Operating Humidity	0 to 95% Non-condensing
REGULATORY	
Approvals	FCC, CE, IEC 61850-3, IEEE 1613, UL C1 D2, File: E245458, NEMA TS2

IEC 61850-3 ELECTRO MAGNETIC INTERFERENCE SPECIFICATIONS

Test	Description		Test Level	Level
61000-4-2	ESD	Enclosure Contact Enclosure Air	8 kV 15 kV	4 4
61000-4-3	Radiated RFI	Enclosure Ports	10 V/m	3
61000-4-4	Burst (Fast Transient)	Signal Ports DC Power Ports	4 kV @ 2.5 KHz 4 kV	- 4
61000-4-5	Surge	Signal Ports DC Power Ports	2 kV line to earth, 1 kV line to line 2 kV line to earth, 1 kV line to line	4 3
61000-4-6	Induced (Conductive) RFI	Signal Ports DC Power Ports	10 V RMS 10 V RMS	3 3
61000-4-12	Damped Oscillatory	Signal Ports DC Power Ports	2.5 kV common, 1 kV diff mode @ 1MHz 2.5 kV common, 1 kV diff mode @ 1MHz	3 3
61000-4-16	Mains Frequency Voltage	Signal Ports DC Power Ports	30 V Continuous, 300 V for 1 s 30 V Continuous, 300 V for 1 s	4 4
61000-4-17	Ripple on DC Power Supply	DC Power Ports	10%	3

IEEE 1613 C37.90 ELECTROMAGNETIC INTERFERENCE SPECIFICATIONS

Test	Description		Test Level	Level
C37.90.3	ESD	Enclosure Contact Enclosure Air	8 kV 15 kV	- -
C37.90.2	Radiated RFI	Enclosure Ports	10 v/m	-
C37.90.1	Fast Transient	Signal Ports DC Power Ports	4 kV @ 2.5 kHz 4 kV	- -

ENVIRONMENTAL SPECIFICATIONS

Test	Description	Test Ad	Test Level	Level
60068-2-1	Cold Temperature	Test Ad	(-)40 C, 16 Hours	-
60068-2-2	Dry Heat	Test Bd	(+)85 C, 16 Hours	-
60068-2-30	Humidity (damp heat cycle)	Test Dd	90% (non-condensing) (+)55C, 6 Cycles	-
IEC 600068-2-6	Vibration	Test Fc	4g	Class 2
IEC 600068-2-27	Shock	Test Ea	50g	Class 2
IEC 60068-2-32	Drop	-	6 faces, 1 corner, 3 edges, total 10 drops at 1 m	-