



Chipsmall Limited consists of a professional team with an average of over 10 year of expertise in the distribution of electronic components. Based in Hongkong, we have already established firm and mutual-benefit business relationships with customers from,Europe,America and south Asia,supplying obsolete and hard-to-find components to meet their specific needs.

With the principle of "Quality Parts,Customers Priority,Honest Operation,and Considerate Service",our business mainly focus on the distribution of electronic components. Line cards we deal with include Microchip,ALPS,ROHM,Xilinx,Pulse,ON,Everlight and Freescale. Main products comprise IC,Modules,Potentiometer,IC Socket,Relay,Connector.Our parts cover such applications as commercial,industrial, and automotives areas.

We are looking forward to setting up business relationship with you and hope to provide you with the best service and solution. Let us make a better world for our industry!



Contact us

Tel: +86-755-8981 8866 Fax: +86-755-8427 6832

Email & Skype: info@chipsmall.com Web: www.chipsmall.com

Address: A1208, Overseas Decoration Building, #122 Zhenhua RD., Futian, Shenzhen, China





Access Converter/ 3

Operation Manual

International Headquarters

B&B Electronics
707 Dayton Road
Ottawa, IL 61350 USA

Phone (815) 433-5100 — General Fax (815) 433-5105

Email: support@bb-elec.com

Website: www.bb-elec.com

European Headquarters

B&B Electronics
Westlink Commercial Park
Oranmore, Co. Galway, Ireland

Phone + 353 91-792444 — Fax + 353 91-79244S5

Email: techSupport@bb-elec.com

Website: www.bb-elec.com



**ISO 9001:2000
REGISTERED**



© 2013 B&B Electronics. All rights reserved.

The information in this document is subject to change without notice. B&B Electronics assumes no responsibility for any errors that may appear in this document. Access Converter/3 is a trademark of B&B Electronics. Other brands or product names may be trademarks and are the property of their respective companies.

Document Number 52-80141-00 A2

Revised August 2013

If the product's part number begins with an "8", it is compliant with the Restriction of Hazardous Substances (RoHS) directive.



FCC RADIO FREQUENCY INTERFERENCE STATEMENT

This equipment has been tested and found to comply with the limits for a Class B computing device, pursuant to Part 15 of the FCC Rules. These limits are designed to provide reasonable protection against harmful interference when the equipment is operated in a commercial environment. This equipment generates, uses and can radiate radio frequency energy and, if not installed and used in accordance with the instruction manual, may cause harmful interference to radio communications. Operation of this equipment in a residential area is likely to cause harmful interference in which the user will be required to correct the interference at his own expense.

Any changes or modifications not expressly approved by the manufacturer could void the user's authority to operate the equipment.

The use of non-shielded I/O cables may not guarantee compliance with FCC RFI limits. This digital apparatus does not exceed the Class B limits for radio noise emission from digital apparatus set out in the Radio Interference Regulation of the Canadian Department of Communications.

Le présent appareil numérique n'émet pas de bruits radioélectriques dépassant les limites applicables aux appareils numériques de classe B prescrites dans le Règlement sur le brouillage radioélectrique publié par le ministère des Communications du Canada.

Limited Lifetime Warranty

Effective for products of B&B Electronics shipped on or after May 1, 2013, B&B Electronics warrants that each such product shall be free from defects in material and workmanship for its lifetime. This limited lifetime warranty is applicable solely to the original user and is not transferable.

This warranty is expressly conditioned upon proper storage, installation, connection, operation and maintenance of products in accordance with their written specifications.

Pursuant to the warranty, within the warranty period, B&B Electronics, at its option will:

1. Replace the product with a functional equivalent;
2. Repair the product; or
3. Provide a partial refund of purchase price based on a depreciated value.

Products of other manufacturers sold by B&B Electronics are not subject to any warranty or indemnity offered by B&B Electronics, but may be subject to the warranties of the other manufacturers.

Notwithstanding the foregoing, under no circumstances shall B&B Electronics have any warranty obligations or any other liability for: (i) any defects resulting from wear and tear, accident, improper use by the buyer or use by any third party except in accordance with the written instructions or advice of the B&B Electronics or the manufacturer of the products, including without limitation surge and overvoltage conditions that exceed specified ratings, (ii) any products which have been adjusted, modified or repaired by any party other than B&B Electronics or (iii) any descriptions, illustrations, figures as to performance, drawings and particulars of weights and dimensions contained in the B&B Electronics' catalogs, price lists, marketing materials or elsewhere since they are merely intended to represent a general idea of the products and do not form part of this price quote and do not constitute a warranty of any kind, whether express or implied, as to any of the B&B Electronics' products.

THE REPAIR OR REPLACEMENT OF THE DEFECTIVE ITEMS IN ACCORDANCE WITH THE EXPRESS WARRANTY SET FORTH ABOVE IS B&B ELECTRONIC'S SOLE OBLIGATION UNDER THIS WARRANTY. THE WARRANTY CONTAINED IN THIS SECTION SHALL EXTEND TO THE ORIGINAL USER ONLY, IS IN LIEU OF ANY AND ALL OTHER WARRANTIES, EXPRESS OR IMPLIED, AND ALL SUCH WARRANTIES AND INDEMNITIES ARE EXPRESSLY DISCLAIMED, INCLUDING WITHOUT LIMITATION (I) THE IMPLIED WARRANTIES OF FITNESS FOR A PARTICULAR PURPOSE AND OF MERCHANTABILITY AND (II) ANY WARRANTY THAT THE PRODUCTS ARE DO NOT INFRINGE OR VIOLATE THE INTELLECTUAL PROPERTY RIGHTS OF ANY THIRD PARTY. IN NO EVENT SHALL B&B ELECTRONICS BE LIABLE FOR LOSS OF BUSINESS, LOSS OF USE OR OF DATA INTERRUPTION OF BUSINESS, LOST PROFITS OR GOODWILL OR OTHER SPECIAL, INCIDENTAL, EXEMPLARY OR CONSEQUENTIAL DAMAGES. B&B ELECTRONIC SHALL DISREGARD AND NOT BE BOUND BY ANY REPRESENTATIONS, WARRANTIES OR INDEMNITIES MADE BY ANY OTHER PERSON, INCLUDING WITHOUT LIMITATION EMPLOYEES, DISTRIBUTORS, RESELLERS OR DEALERS OF B&B ELECTRONIC WHICH ARE INCONSISTENT WITH THE WARRANTY, SET FORTH ABOVE.

NOTE

SAFETY CERTIFICATIONS

UL/CUL: Listed to Safety of Information Technology Equipment, including Electrical Business Equipment.

CE: The products described herein comply with the Council Directive on Electromagnetic Compatibility (89/336/EEC) and the Council Directive on Electrical Equipment Designed for use within Certain Voltage Limits (73/23/EEC). Certified to Safety of Information Technology Equipment, Including Electrical Business Equipment. For further details, contact B&B Electronics.



**Class 1 Laser product, Luokan 1 Laserlaite,
Laser Klasse 1, Appareil A' Laser de Classe 1**

European Directive 2002/96/EC (WEEE) requires that any equipment that bears this symbol on product or packaging must not be disposed of with unsorted municipal waste. This symbol indicates that the equipment should be disposed of separately from regular household waste. It is the consumer's responsibility to dispose of this and all equipment so marked through designated collection facilities appointed by government or local authorities. Following these steps through proper disposal and recycling will help prevent potential negative consequences to the environment and human health. For more detailed information about proper disposal, please contact local authorities, waste disposal services, or the point of purchase for this equipment.

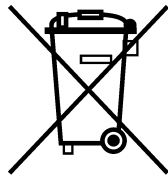


TABLE OF CONTENTS

FCC Radio Frequency Interference Statement	ii
Limited Lifetime Warranty.....	ii
About the Access Converter/3	1
Installing the Access Converter/3	2
LED Operation.....	3
Specifications	5
Safety Certifications.....	6

NOTES:

SPECIFICATIONS

DC Input Voltage:

AC Adapter Input Load: 100/240 \pm 10% VAC, 0.25A, 50/60 Hz, 5 VDC output with maximum output current of 1A Unit Power Consumption (Typical): 600 mA @ 5 VDC

Operating Temperature:

32° to 122° F (0° to 50° C)

Storage Temperature:

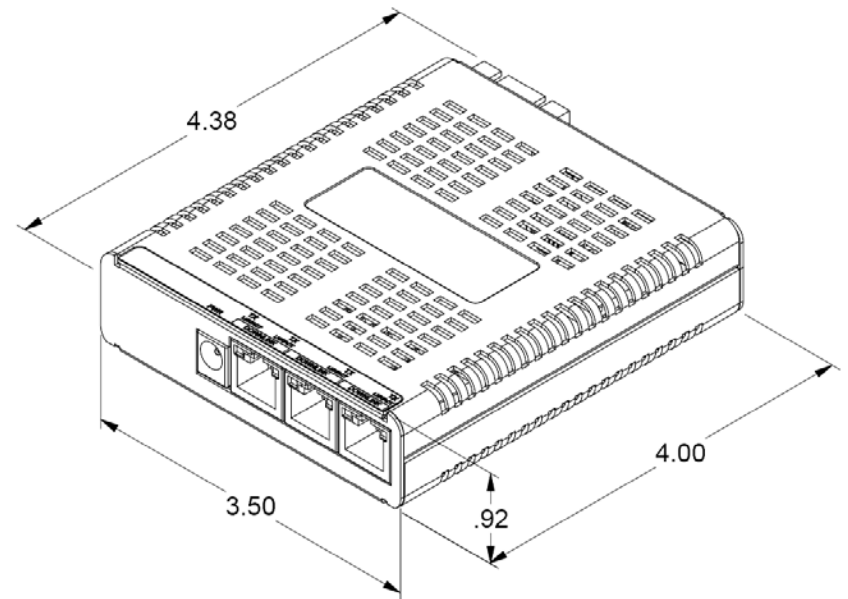
-4° to 158° F (-20° to 70° C)

Humidity:

5 to 90% (non-condensing); 0 to 10,000 ft. altitude

Dimensions:

H=0.92" W=3.50" D=4.00" (2.3 x 8.9 x 10.2 cm)



Fiber Uplink Port

The LED indicator for the fiber uplink port is located on the RJ-45 connector of the downlink port next to the power connector. There are four LED functions for the fiber uplink port.

The fiber uplink port LED functions are as follows:

- Glows green when a link is established on the fiber port.
- Glows green indicating a valid link, then blinks green when activity is detected on the fiber port.
- When the LED is OFF, there is no link (check cabling, check remote device).
- Blinking LED - indicates the device attached to the other end of the fiber maybe passing Link Fault Propagation, or generating noise onto the fiber. This normally happens when there is a media converter at the fiber end of the link. Connect the second port of the converter onto a valid device to generate link.

Twisted Pair Uplink Port

When the Access Converter/3 is configured with a twisted pair uplink port, the LED location and functionality is the same as that for the downlink ports.

ABOUT THE ACCESS CONVERTER/3

The Access Converter/3 is a 10/100 auto-negotiating, switching, optical access product. There is one uplink port and three 10/100 twisted pair downlink ports. The uplink port can be either fiber or 10/100 twisted pair. The uplink port is located on the back of the media converter. Each of the twisted pair ports can auto-sense the speed and duplex mode of a connected device. These speeds include the following:

- 10 Mbps
- 100 Mbps
- Half Duplex
- Full Duplex

All of these speeds include Flow Control. The fiber port always operates at 100 Mbps Full Duplex.

The Access Converter/3 offers plug-and-play operation, including the AutoCross feature which automatically selects between a crossover work-station or straight-through repeater hub connection depending on the connected device.

The Access Converter/3 also protects against Broadcast storms, and allows packets of up to 1916 bytes to pass. The Access Converter/3 uses a universal external switching power adapter for 100 to 240 \pm 10% VAC input and 5 VDC output (included).

INSTALLING THE ACCESS CONVERTER/3

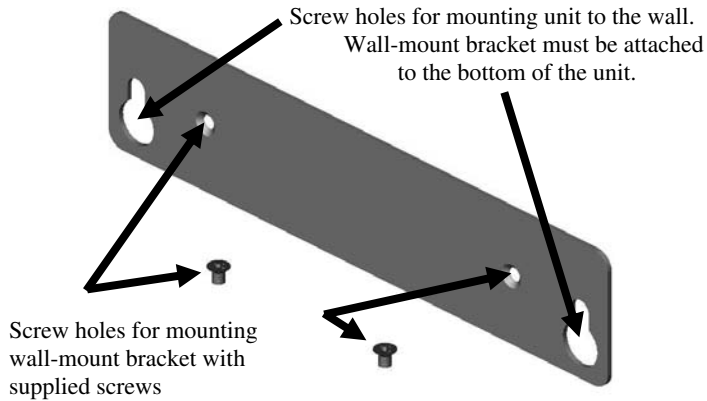
Install the Access Converter/3 as a table-top device, or mount to a wall surface with the appropriate bracket (included). To wall mount, use the supplied screws to attach the wall-mount bracket to the Access Converter/3, then simply mount the unit to the wall by tightening the screws (not supplied).

Note

The Access Converter/3 packaging also includes four small rubber “feet” for use in table-top or wall-mount installations.

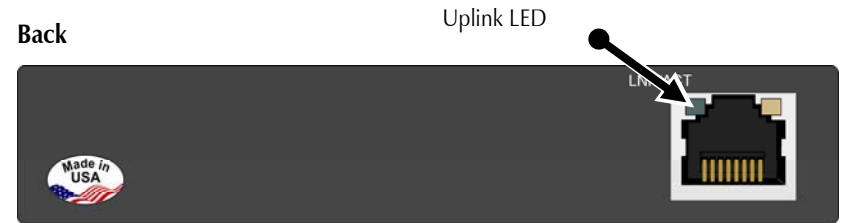
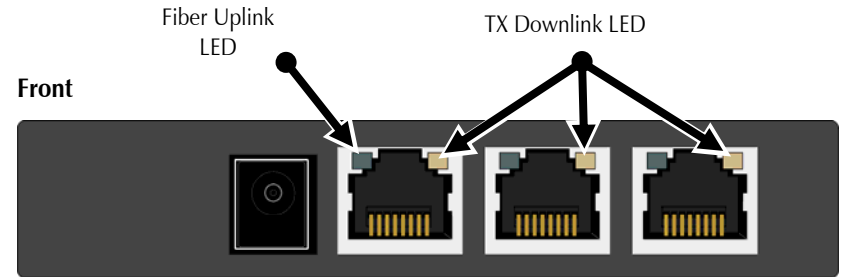
Plug the Access Converter/3 into a power source and attach the connected devices. Verify installation by observing the LEDs on the unit (refer to the LED Operation section for more information).

Wall Mount Bracket



LED OPERATION

Each Access Converter/3 includes diagnostic LEDs for troubleshooting.



Twisted Pair Downlink Ports

The LED indicator for the twisted pair downlink port is located on the RJ-45 connector of the downlink port next to the power connector. There are two LED functions for the twisted pair downlink ports. LED functions are as follows:

- Glows amber when a link is established on the copper port
- Glows amber indicating a valid link, then blinks amber when activity is detected on the copper port.

Note

The green LED on RJ-45 connectors are reserved for future use, with one exception— refer to the following Uplink Port sections for more information.