



Chipsmall Limited consists of a professional team with an average of over 10 year of expertise in the distribution of electronic components. Based in Hongkong, we have already established firm and mutual-benefit business relationships with customers from,Europe,America and south Asia,supplying obsolete and hard-to-find components to meet their specific needs.

With the principle of “Quality Parts,Customers Priority,Honest Operation,and Considerate Service”,our business mainly focus on the distribution of electronic components. Line cards we deal with include Microchip,ALPS,ROHM,Xilinx,Pulse,ON,Everlight and Freescale. Main products comprise IC,Modules,Potentiometer,IC Socket,Relay,Connector.Our parts cover such applications as commercial,industrial, and automotives areas.

We are looking forward to setting up business relationship with you and hope to provide you with the best service and solution. Let us make a better world for our industry!



Contact us

Tel: +86-755-8981 8866 Fax: +86-755-8427 6832

Email & Skype: info@chipsmall.com Web: www.chipsmall.com

Address: A1208, Overseas Decoration Building, #122 Zhenhua RD., Futian, Shenzhen, China



Monitored Ethernet Switches

10 & 18 port, SNMP, Modbus/TCP

Models SEC310-2SFP-T, SEC318-2SFP-T



SEC310-2SFP-T



SEC318-2SFP-T

Features & Benefits

- Communicates with HMI/SCADA software via Modbus/TCP
- Integrated with iView²™ - SNMP Management Software (free download)
- Energy Efficient Ethernet (EEE), IEEE 802.3az for low energy consumption
- Wide temperature range -40 to 75°C
- DIN rail or wall/panel mountable
- Redundant dual 12 to 48 VDC power inputs
- EMS Level 3 Protection
- Designed for hazardous locations: UL C1D2, ATEX Zone 2 (pending), IECEx (pending)
- Port-based QoS feature for deterministic data transmission
- Loop detection and event alarm
- Power failure indicated by a relay and LED indicator



Introduction

SE300 series is the industry's first design for Ethernet Green®, IEEE802.3az - Energy Ethernet switches that cut power usage by up to 60%, significantly saving energy usage in the field and reducing total cost of ownership over 24/7.

Advantech B+B SmartWorX SE300 series monitored switches can be used as plug-and-play unmanaged switches right out of the box. Installing the iView² Network Management Software gives them basic monitoring and management capabilities as well. They bridge the gap between unmanaged switches and significantly more expensive, fully managed solutions.

When enabled with iView², these switches provide IP address assignment, allowing for a static IP address or an address that is discoverable via DHCP in the network. Then, these switches have the ability to use Modbus/TCP to communicate with HMI/SCADA software and SNMP to communicate with NMS (Networking Management Software) at the same time. This gives full access control to both control engineers and IT managers.

Basic Monitoring & Management Capabilities

iView² gives network managers the ability to monitor and manage eWorX SE300 series switches from a central location. It features an intuitive Graphical User Interface (GUI) that provides a real-life representation of all installed eWorX SE300 Series switches, displaying device functions, port settings, device status information and traffic statistics via SNMP.

iView² can also configure eWorX SE300 series switches monitoring capabilities for automation applications via the popular Modbus TCP/IP protocol. Control engineers can use existing HMI/SCADA software to integrate the network status by creating extra tags for real-time monitoring. iView² is a standalone software that supports multiple platforms and operating systems.

iView² Features for eWorX SE300 series Switches

Monitoring:

- System information (IP/MAC address)
- Port status
- Port speed
- Flow control
- Link up counter
- TX packets counter, RX packets counter
- TX error packets counter, RX error packets counter
- Firmware version
- PoE status (PoE model/s only)

Management:

- Configure IP mode
- Set IP address
- Set TCP Modbus/TCP time-out
- Create Community Strings
- Configure Traps

Specifications

COMMUNICATIONS	
Standards	IEEE 802.3, 802.3u, 802.3x, 802.3ab, 802.3z, 802.1p, 802.3az
LAN	10/100/1000Base-T(X), Optional 100Base-FX, 1000Base-SX/LX/LHX/XD/ZX/EZX
Transmission Distance	Ethernet: 100m (4-wire Cat.5e, Cat.6 RJ-45 cable suggested for Gigabit port) SFP: 110km (depends on SFP)
Transmission Speed	Ethernet: 10/100Mbps Auto-Negotiation Gigabit Copper: 10/100/1000Mbps, Auto-Negotiation Gigabit Fiber: Up to 1000Mbps
INTERFACE	
Connectors	SEC310-2SFP-T: 8 x RJ45 + 2 x (RJ45/SFP) combo ports SEC318-2SFP-T: 16 x RJ45 + 2 x (RJ45/SFP) combo ports 6-pin removable screw terminal (power & relay)
Ethernet	Auto Sensing, 10/100/1000BaseTX, Duplex and MDIX.
LED Indicators	P1, P2, P-Fail, Loop Detection 10/100T(X): Link/Activity, Speed Gigabit Copper: Link/Activity, Speed (1000 Mbps) SFP: Link/Activity

Monitored Ethernet Switches 10 & 18 port, SNMP, Modbus/TCP

Models SEC310-2SFP-T, SEC318-2SFP-T

Specifications - continued

SWITCH PROPERTIES	
MAC Table Size	8k
Packet Buffer Size	4.1M bit
Switching Capacity	SEC310-2SFP-T: 5.6 Gbps. SEC318-2SFP-T: 7.2 Gbps
Jumbo Frame	9126 bytes
POWER	
Power Consumption	SEC310-2SFP-T: Max. 5.8W. SEC318-2SFP-T: Max. 8.2W
Power Input	12~48 VDC (8.4~52.8VDC) redundant dual inputs
Fault Output	1 Relay Output
Reverse Polarity Protection	Present
Overload Current	Present
PHYSICAL	
Dimensions (WxHxD)	74 x 120 x 84 mm
Enclosure	IP30, metal shell with solid mounting kits
Mounting	DIN-Rail, Wall

Specifications - continued

ENVIRONMENT	
Operating Temperature	-40 ~ 75°C (-40 ~ 167°F)
Storage Temperature	-40 ~ 85°C (-40 ~ 185°F)
Operating Humidity	10 ~ 95% (non-condensing)
Storage Humidity	10 ~ 95% (non-condensing)
MTBF	SEC310-2SFP-T: 3,183,604 hours SEC318-2SFP-T: 2,825,281 hours
CERTIFICATIONS	
Hazardous Environments	UL Class 1 Division 2 Groups A,B,C,D; ATEX Zone 2 (pending); IECEx (pending)
Safety	UL508
EMI	FCC Part 15 Subpart B Class A, EN 55011/55022, Class A
EMS	EN 61000-4-2 (Level 3), EN 61000-4-3 (Level 3) EN 61000-4-4 (Level 3), EN 61000-4-5 (Level 3) EN 61000-4-6 (Level 3), EN 61000-4-8 (Level 3)
Shock	IEC 60068-2-27
Freefall	IEC 60068-2-32
Vibration	IEC 60068-2-6

SOFTWARE

Management	iView ² , LLDP, SNMP v1/v2c, Modbus/TCP
Configuration	Static IP address, DHCP Client
Monitoring	Port Statistics (Speed/Status), Link Up/Down counter, Error Packet counter, Loop detection
Filter	Flow control, IEEE 802.1p QoS(Strict mode), Broadcast storm protection
Industrial Profiles	Modbus/TCP profiles included - Configuration and Diagnostic via automation software tools like e.g. Wonderware InTouch, STEP7, InduSoft Web Studio

IVIEW² - NETWORK MANAGEMENT SOFTWARE - FREE DOWNLOAD

Version	iView ² Web-based Application
OS Support	32-bit/64-bit Windows XP/Vista/7, Windows Server 2003/2008/2008 R2
Operation Modes	Local Computer or Remote Server
Web Browser	Microsoft® IE, Chrome, Firefox
Protocol	SNMPv1 and SNMPv2c

Product Ordering Information

MODEL #	DESCRIPTION	OPERATING TEMPERATURE	RJ45				FIBER			
			10/100 MBPS	GIGABIT	100FX	100/1000BASE-SFP	COMBO PORT, 10/100/1000BASE-T(X) OR 100/1000BASE-SFP	TYPE	CONNECTOR	
SEC310-2SFP-T	8-port 10/100Mbps + 2-port GbE Combo Monitored Ethernet Switch	-40~75°C	8	-	-	-	-	2	-	LC (SFP)
SEC318-2SFP-T	16-port 10/100Mbps + 2-port GbE Combo Monitored Ethernet Switch	-40~75°C	16	-	-	-	-	2	-	LC (SFP)

Accessories - optional

MODEL #	DESCRIPTION
MDR-40-24	DIN Rail Power supply, 24VDC 40 Watt
CSUMB3FBG	3 ft. (1 M), Gray, Category 5e UTP Patch Cord
CSUMB7FBG	7 ft. (2 M), Gray, Category 5e UTP Patch Cord
808-38102	IE-SFP 100 to 155 Mbps (OC-3), MM850-LC, 2km
808-38104	IE-SFP 100 to 155 Mbps (OC-3), SM1310/PLUS-LC, 40km
808-38200	IE-SFP 1250 Mbps to 1.25 Gbps (OC-24), SM1310-LC, 20km
808-38201	IE-SFP 1250 Mbps to 1.25 Gbps (OC-24), MM850-LC, 2250/550m
808-38203	IE-SFP 1250 Mbps to 1.25 Gbps (OC-24), SM1310/PLUS-LC, 30km

Package Checklist

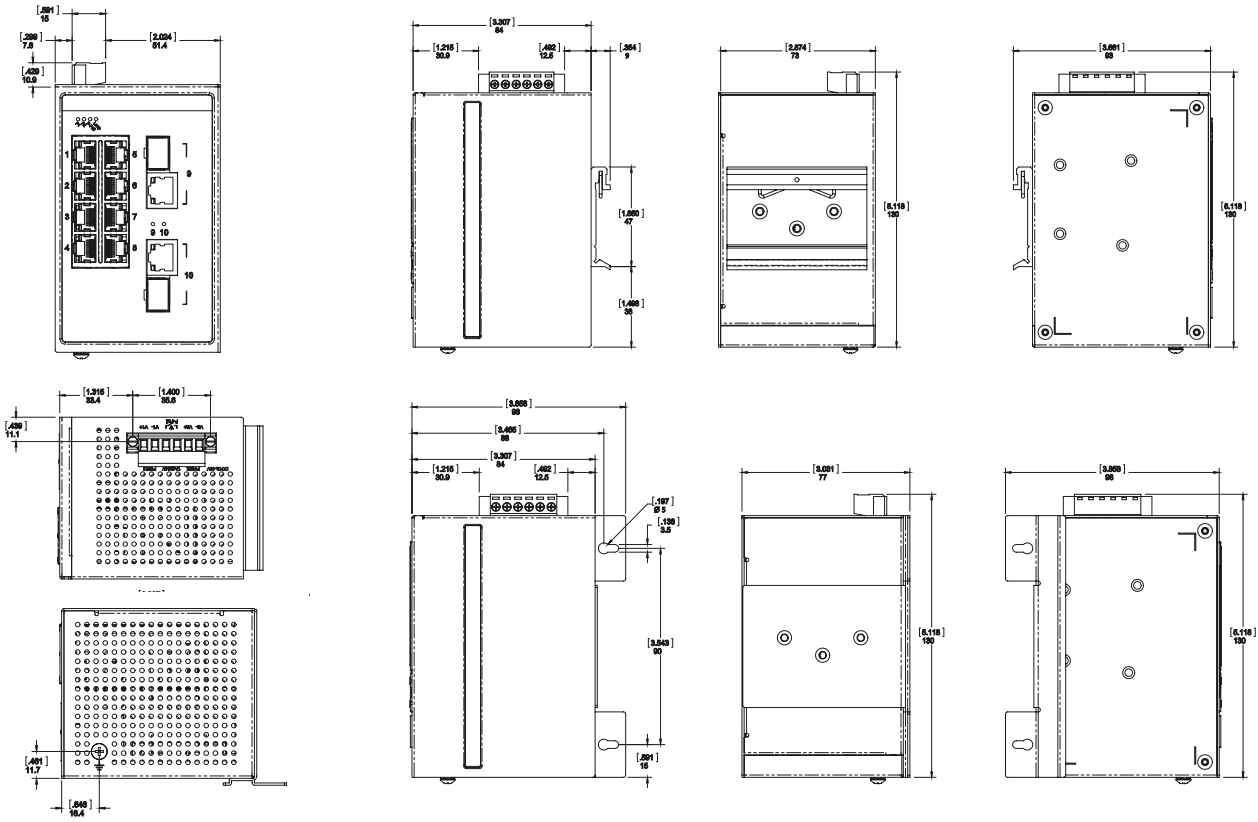
Ethernet Switch, Quick Start Guide, DIN-Rail mount bracket (installed), Wall mount bracket

Warranty

Limited lifetime warranty for Advantech B+B designed and/or manufactured products.

Model SEC310-2SFP-T Mechanical Diagram | DIN Rail & Wall Mount Options

Units = [inches] mm



Model SEC318-2SFP-T Mechanical Diagram | DIN Rail & Wall Mount Options

Units = [inches] mm

