



Chipsmall Limited consists of a professional team with an average of over 10 year of expertise in the distribution of electronic components. Based in Hongkong, we have already established firm and mutual-benefit business relationships with customers from,Europe,America and south Asia,supplying obsolete and hard-to-find components to meet their specific needs.

With the principle of “Quality Parts,Customers Priority,Honest Operation,and Considerate Service”,our business mainly focus on the distribution of electronic components. Line cards we deal with include Microchip,ALPS,ROHM,Xilinx,Pulse,ON,Everlight and Freescale. Main products comprise IC,Modules,Potentiometer,IC Socket,Relay,Connector.Our parts cover such applications as commercial,industrial, and automotives areas.

We are looking forward to setting up business relationship with you and hope to provide you with the best service and solution. Let us make a better world for our industry!



Contact us

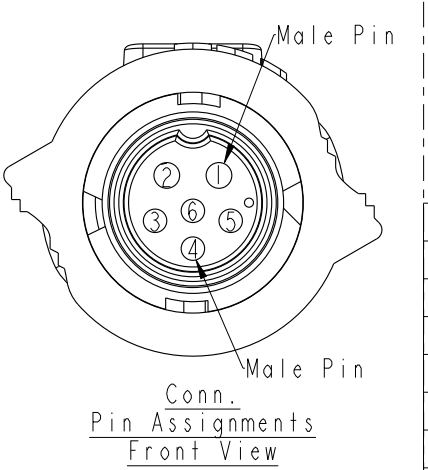
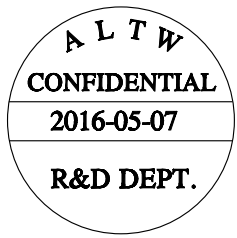
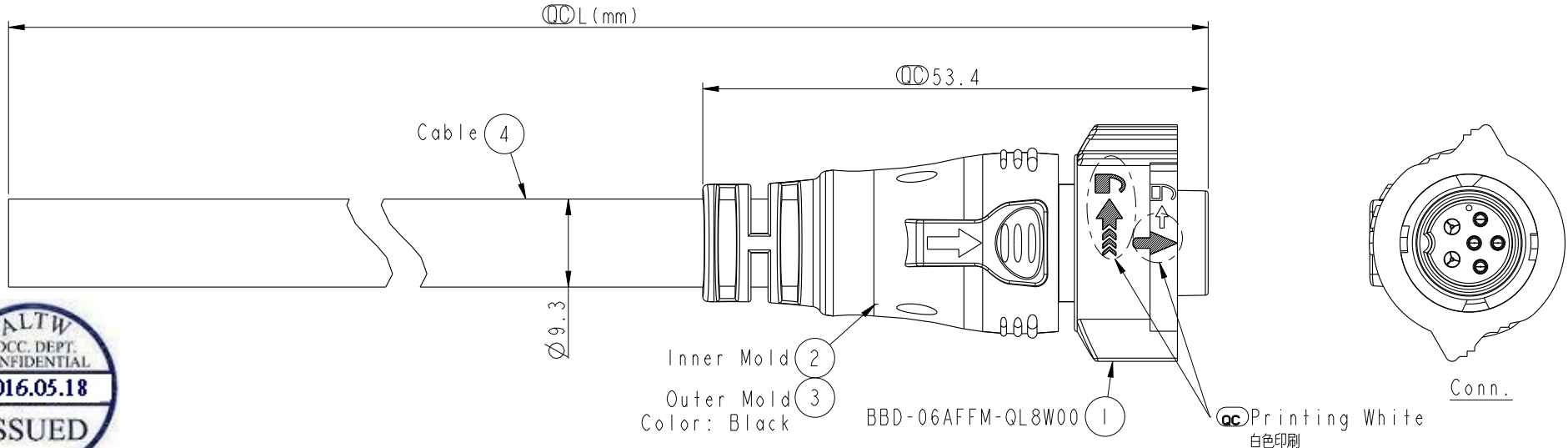
Tel: +86-755-8981 8866 Fax: +86-755-8427 6832

Email & Skype: info@chipsmall.com Web: www.chipsmall.com

Address: A1208, Overseas Decoration Building, #122 Zhenhua RD., Futian, Shenzhen, China



REV.	ECN NO.	DATE	SIGN	DESCRIPTION
A	Initial Release	2016-05-07	Spring	Change Rev.02 To Rev.A



6	Blue (26AWG)	藍	Twist 對線
5	Red (26AWG)	紅	
4	Green (26AWG)	綠	Twist 對線
3	White (26AWG)	白	
2	Black (16AWG)	黑	
1	White (16AWG)	白	
Conn.	Wire Color		
Pin Out			

BBD-06AFMM-QL8FXX
 XX:01~99Meters
 01:01Meter
 02:01Meters
 :
 :
 99:99Meters
 Cable Length(L):01~99Meters

Note:
 * \varnothing Important Dimension To Check.
 * Waterproof Rate: IP68(Mated)
 In 1 meter water within 24 hours
 * Working Voltage Rating:
 Power: AC/DC 300V
 Data: DC 30V
 * Working Current:
 Power: 10A
 Data: 05A
 * Housing: Nylon+GF, Black.
 * Pin: Copper Alloy, Gold Plated.
 * O-Ring: Silicone, Gray.
 * Cable: UL21996 16AWG*2C+(26AWG*2P+AL/MY)
 +F+AL/MY, PVC Jacket, OD=9.3, Black.
 * Cable Length Tolerance: 01M: ±40mm
 02M~05M: ±60mm
 06M~10M: ±100mm
 11M~30M: ±200mm
 31M~99M: ±500mm

UNIT:mm TOLERANCE ±0.5mm	TITLE CIRCULAR, STANDARD, CABLE X-LOK (2+4)PIN F CONN M PIN			Amphenol LTW 安費諾亮泰企業股份有限公司	ITEM NO	DRAWN BY Spring	DATE 2016-05-07
	SCALE 3:2	SIZE A4	SHEET 1 OF 1		DWG NO BBD-06AFMM-QL8FXX	CHECKED BY Fisher	DATE 2016-05-07
	REV. A	WC-REV. A.1	\varnothing : Inspection item		CUSTOMER ALTW	APPROVED BY Kevin	DATE 2016-05-07

THIS DOCUMENT IS SUBJECT TO CHANGE WITHOUT NOTICE. IT IS CONFIDENTIAL AND A PROPERTY OF Amphenol LTW. DISCLOSURE TO THIRD PARTY HAS TO BE AUTHORIZED BY Amphenol LTW.