



Chipsmall Limited consists of a professional team with an average of over 10 year of expertise in the distribution of electronic components. Based in Hongkong, we have already established firm and mutual-benefit business relationships with customers from,Europe,America and south Asia,supplying obsolete and hard-to-find components to meet their specific needs.

With the principle of “Quality Parts,Customers Priority,Honest Operation,and Considerate Service”,our business mainly focus on the distribution of electronic components. Line cards we deal with include Microchip,ALPS,ROHM,Xilinx,Pulse,ON,Everlight and Freescale. Main products comprise IC,Modules,Potentiometer,IC Socket,Relay,Connector.Our parts cover such applications as commercial,industrial, and automotives areas.

We are looking forward to setting up business relationship with you and hope to provide you with the best service and solution. Let us make a better world for our industry!



## Contact us

Tel: +86-755-8981 8866 Fax: +86-755-8427 6832

Email & Skype: info@chipsmall.com Web: www.chipsmall.com

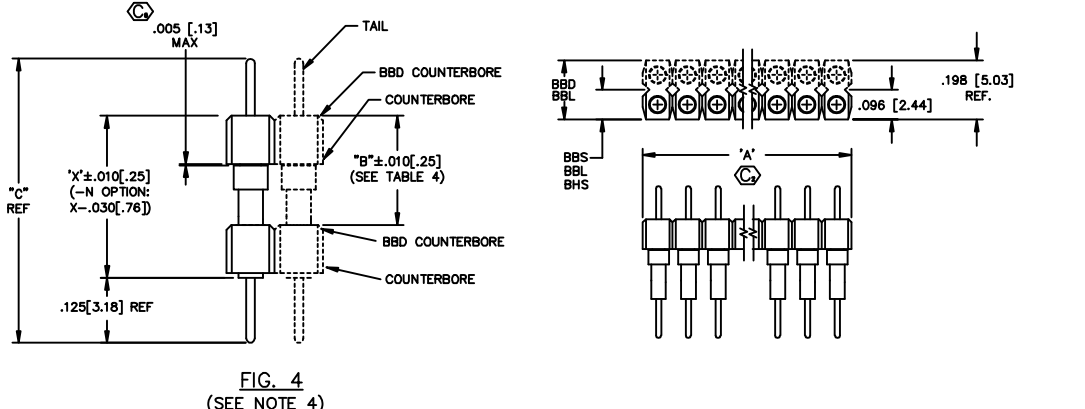
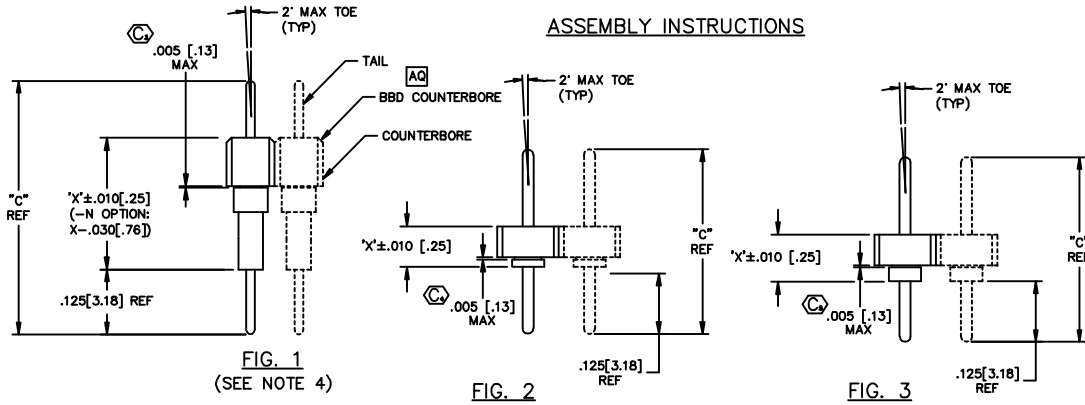
Address: A1208, Overseas Decoration Building, #122 Zhenhua RD., Futian, Shenzhen, China



UNLESS OTHERWISE NOTED  
 DIMENSIONS ARE IN INCHES  
 TOLERANCES ARE:  
 ONE PLACE DECIMALS: ± .1 [3] THREE PLACE DECIMALS: ± .005 [.13]  
 TWO PLACE DECIMALS: ± .01 [.3] FOUR PLACE DECIMALS: ± .0020 [.051]

TITLE: ASSEMBLY BOARD TO BOARD SPACING  
 DWG NO: BXX-1XX-X-X-X  
 SHEET 1 OF 1

ASSEMBLY INSTRUCTIONS



**BXX-1XX-X-X-X**

OPTION  
 -N=NON-FLUSH-LEAVE BLANK FOR STANDARD (USE BODY SPECIFIED IN TABLE 1) (SEE TABLE 4)  
 -G= SPECIFY -G IN TERMINAL SUFFIX -X  
 -T= SPECIFY -T IN TERMINAL SUFFIX -X (SEE NOTE 5)

TERMINAL SPECIFICATION (SEE TABLE 2)

PLATING SPECIFICATION (SEE TABLE 2)  
 -G= SPECIFY -G IN TERMINAL SUFFIX -X  
 -T= SPECIFY -T IN TERMINAL SUFFIX -X (SEE NOTE 5)

BODY LENGTH SPECIFICATION (SEE TABLE 2)  
 'A' = (NO. OF POSITIONS X 100 ± .015)  
 'A' = BBS: XX-MAX 32 POSITION  
 'A' = BBL: XX-MAX 32 POSITION  
 'A' = BHS: XX-MAX 36 POSITION (MUST BE CUT ON MULTI-CUTTER)  
 'A' = BDL: XX-MAX 36 POSITION  
 'A' = BDL: XX-MAX 36 POSITION

- NOTES:
- 1.) MIN. PUSHOUT FORCE: 5 lbs FOR ALL EXCEPT BBL, FOR BBL: 2 lbs. MIN.
  - 2.) MAX ALLOWABLE BOW:  
 FOR STRIPS MOLDED IN VALOX=.009 IN/IN  
 FOR STRIPS MOLDED IN ULTEM=.003 IN/IN  
 (FOR BHS ONLY: .004 IN/IN TOP TO BOTTOM, .008 IN/IN SIDE TO SIDE)  
 (FOR BBL ONLY: .055 MAX.)
  - 3.) ⊙ REPRESENTS A CRITICAL DIMENSION.
  - 4.) ON BBD STYLE FILL WITH COUNTERBORE TOWARD TAILS, ALL OTHER STYLES FILL COUNTERBORE AWAY FROM TAILS.

TABLE 4

TERMINAL SPEC.	"B"
-G	.320 [8.13]
-G-N	.290 [7.37]
-N	.410 [10.41]

TABLE 1

BODY SPECIFICATION		
BODY STYLE	BODY	
	STANDARD	-N OPTION
BBS-	TBS-32	SSB-XX
BBD-	DSB-36	DSB-XX
BBL-	SSL-XX	N/A
BDL-	HSDL-XX	N/A
BHS-G(PLATING)	HTS-36-G	SSB-XX-U

TABLE 3  
 (4 POSITION MIN)

BODY	LEAD STYLE	PACKAGING TUBE	PLUG
BHS	A	PT-1-24-01-24	TP-24
	B	PT-1-24-02-03	TP-24
	D,H	PT-1-24-02-04	TP-07
	C,G	PT-1-24-10-03	TP-03
BBS	A	PT-1-24-01-24	TP-24
	B	PT-1-24-02-03	TP-24
	D,H	PT-1-24-02-04	TP-07
	C,G	PT-1-24-10-03	TP-03
BBD	A	PT-1-24-01-22	TP-03
	B	PT-1-24-06-03	TP-07
	D,H	PT-1-24-08-03	TP-09
	C,G	PT-1-24-01-74	TP-07
BBL	ALL	PT-1-24-01-23	TP-12
BDL	ALL	PT-1-24-01-14	TP-03

PACKAGING

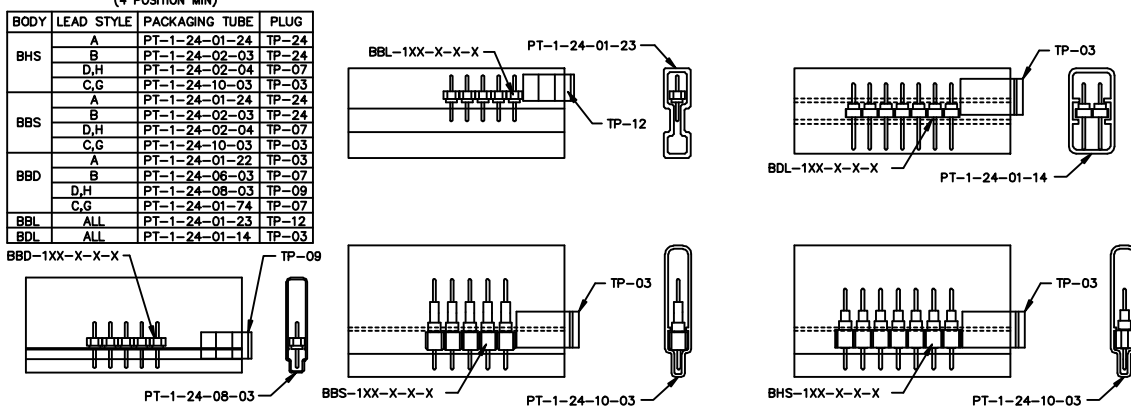


TABLE 2

LEAD STYLE	BODY SPEC.		FIG.	BODY SPEC.			
	BBS,BBD,BHS	'X'		"C"	BBL,BDL	'X'	"C"
A	T-1R14-1-X	.210 [5.35]	1	.460 [11.68]	N/A		
B	T-1R14-2-X	.335 [8.51]	1	.585 [14.86]	N/A		
C	T-1R14-3-X	.585 [14.86]	1	.835 [21.21]	N/A		
D	T-1R14-4-X	.835 [21.21]	1	1.085 [27.56]	N/A		
E	N/A				T-1R6-X	.070	2 .300 [7.62]
F	N/A				T-2R6-X	.085	3 .332 [8.43]
G	T-1R14-5-X	.585 [14.86]	4	.835 [21.21]	N/A		

**PROPRIETARY NOTE**  
 THIS DOCUMENT CONTAINS INFORMATION CONFIDENTIAL AND PROPRIETARY TO SAMTEC INC. AND SHALL NOT BE REPRODUCED OR TRANSMITTED IN ANY FORM OR BY ANY MEANS, ELECTRONIC OR MECHANICAL, INCLUDING PHOTOCOPYING, RECORDING, OR BY ANY INFORMATION STORAGE AND RETRIEVAL SYSTEM, WITHOUT THE EXPRESS WRITTEN CONSENT OF SAMTEC INC.

\* = SEE NOTE 5

MATERIAL:  
 INSULATOR: GLASS FILLED POLYESTER  
 COLOR: BLACK

TERMINAL:  
 PHOSPHOR BRONZE OR BRASS

520 PARK EAST BLVD. NEW ALBANY, INDIANA 47150  
 PHONE (812) 944-6733 P.O. BOX 1147  
 CODE 56322

MADE BY: TY 2-18-85  
 DESIGNED BY: L. WILLIAMS 2-23-85

**samtec**

POWER APPROVAL  
 BXX-1XX-X-X-X  
 SHEET 1 OF 1