



Chipsmall Limited consists of a professional team with an average of over 10 year of expertise in the distribution of electronic components. Based in Hongkong, we have already established firm and mutual-benefit business relationships with customers from,Europe,America and south Asia,supplying obsolete and hard-to-find components to meet their specific needs.

With the principle of “Quality Parts,Customers Priority,Honest Operation,and Considerate Service”,our business mainly focus on the distribution of electronic components. Line cards we deal with include Microchip,ALPS,ROHM,Xilinx,Pulse,ON,Everlight and Freescale. Main products comprise IC,Modules,Potentiometer,IC Socket,Relay,Connector.Our parts cover such applications as commercial,industrial, and automotives areas.

We are looking forward to setting up business relationship with you and hope to provide you with the best service and solution. Let us make a better world for our industry!



## Contact us

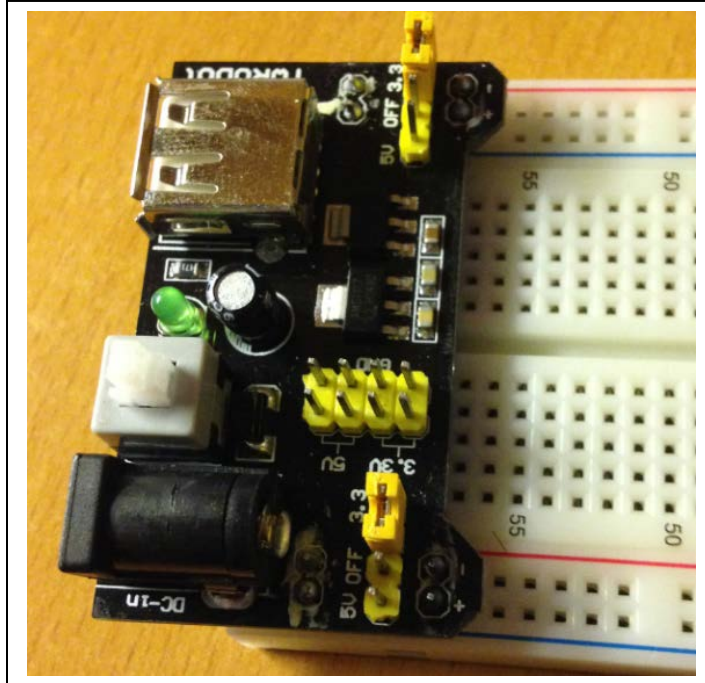
Tel: +86-755-8981 8866 Fax: +86-755-8427 6832

Email & Skype: info@chipsmall.com Web: www.chipsmall.com

Address: A1208, Overseas Decoration Building, #122 Zhenhua RD., Futian, Shenzhen, China



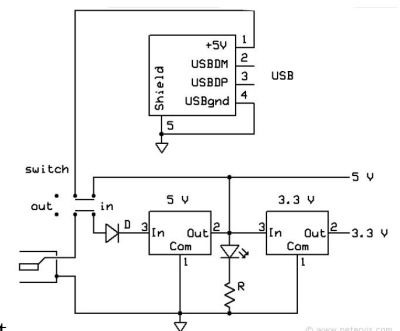
# BBP-32701 BREADBOARD POWER SUPPLY



## Ordering Information

Bud Catalog Number	Description	Size LxWxD"	Weight (lb)
BBP-32701	Dual Voltage 3.3V, 5V Breadboard mounted Power Supply	2.07x1.25x0.75	0.024

- Fits perfectly on BB series Bread boards
- Ideal for running an Arduino AND supplying power to other components
- Compatible with 5V / 3.3V
- Power Input options: 6 to max 12V DC and from a USB
- Can be turned off without removing the power source
- Output voltage: 3.3V, 5V switchable
- Two way independent control, can be switched to 0V, 3.3V, 5V
- two independent output pins of 3.3V, 5V
- Maximum output current 700mA



**BUD INDUSTRIES, INC.** • 4605 E. 355th Street  
Willoughby, Ohio 44094 • (440) 946-3200 • Fax (440) 951-4015  
**E-MAIL:** [saleseast@budind.com](mailto:saleseast@budind.com) • **WEB SITE:** [www.budind.com](http://www.budind.com)  
**BUD WEST** • 440-946-3200 • [saleswest@budind.com](mailto:saleswest@budind.com)