



Chipsmall Limited consists of a professional team with an average of over 10 year of expertise in the distribution of electronic components. Based in Hongkong, we have already established firm and mutual-benefit business relationships with customers from,Europe,America and south Asia,supplying obsolete and hard-to-find components to meet their specific needs.

With the principle of “Quality Parts,Customers Priority,Honest Operation,and Considerate Service”,our business mainly focus on the distribution of electronic components. Line cards we deal with include Microchip,ALPS,ROHM,Xilinx,Pulse,ON,Everlight and Freescale. Main products comprise IC,Modules,Potentiometer,IC Socket,Relay,Connector.Our parts cover such applications as commercial,industrial, and automotives areas.

We are looking forward to setting up business relationship with you and hope to provide you with the best service and solution. Let us make a better world for our industry!



Contact us

Tel: +86-755-8981 8866 Fax: +86-755-8427 6832

Email & Skype: info@chipsmall.com Web: www.chipsmall.com

Address: A1208, Overseas Decoration Building, #122 Zhenhua RD., Futian, Shenzhen, China



Model No: BC18WK05-08
 Product Line: Tymphany

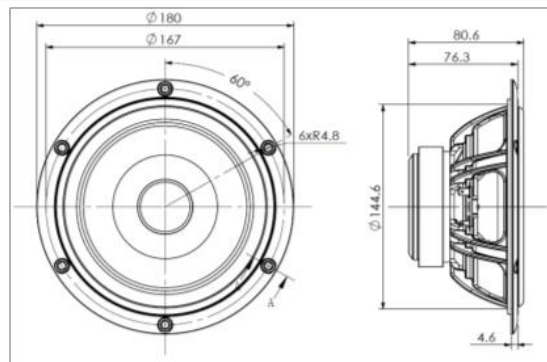
Rev: 1
 Last Update: 2017-04-21 12:39:42

Product Description

BC midwoofer, 6.5 inch, paper cone, ferrite motor, plastic basket, 8ohm



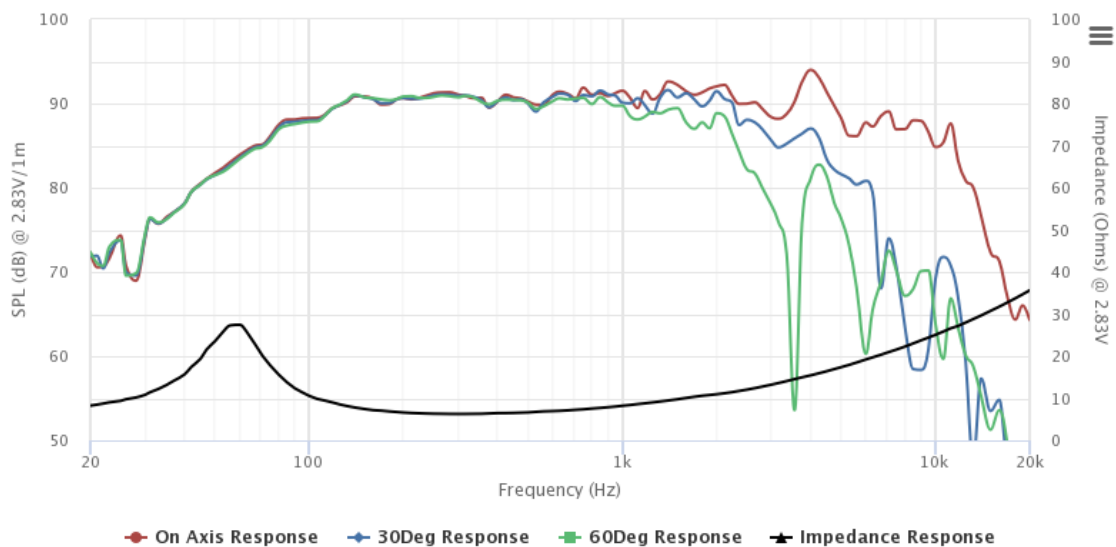
Mechanical Drawing



Specifications

DC Resistance	Revc	Ohms	5.55	5.0%	Energy Bandwidth Product	EBP	$(1/Qes) \cdot fs$	104.24
Minimum Impedance	Zmin	Ohms	6.28	7.5%	Moving Mass	Mms	g	11.6
Voice Coil Inductance	Le	mH	0.28		Suspension Compliance	Cms	um/N	620.5
Resonant Frequency	Fs	Hz	59.35	15%	Effective Cone diameter	D	cm	13.3
Mechanical Q Factor	Qms		2.5		Effective Piston Area	Sd	cm ²	138.9
Electrical Q Factor	Qes		0.57		Effective Volume	Vas	L	16.82
Total Q Factor	Qts		0.46		Motor Force Factor	BL	Tm	6.51
Ratio Fs/Qts	F	Fs/Qts	128.46		Motor Efficiency Factor	β	$(T \cdot M^2) / \text{Ohms}$	7.6
Half Space Sensitivity @2.83V	db@2.83V/1M	dB	91.05	+/- 1.0db	Voice coil former Material	VCfm		ASV
Half Space Sensitivity @1W/1M	db@1W/1M	dB	90	+/- 1.0db	Voice coil inner diameter	VCd	mm	25.86
Gap Height	Gh	mm	5		Rated Noise Power	P	W	30
Maximum Linear Excursion	Xmax	mm	3.4		Test Spectrum Bandwidth		20Hz--8KHz	
Ferrofluid Type	FF		N/A		Driver Size	Inch	6.5 in	
Driver Mass	Kg		1					

Frequency and Impedance Response



Highcharts.com