



Chipsmall Limited consists of a professional team with an average of over 10 year of expertise in the distribution of electronic components. Based in Hongkong, we have already established firm and mutual-benefit business relationships with customers from,Europe,America and south Asia,supplying obsolete and hard-to-find components to meet their specific needs.

With the principle of “Quality Parts,Customers Priority,Honest Operation,and Considerate Service”,our business mainly focus on the distribution of electronic components. Line cards we deal with include Microchip,ALPS,ROHM,Xilinx,Pulse,ON,Everlight and Freescale. Main products comprise IC,Modules,Potentiometer,IC Socket,Relay,Connector.Our parts cover such applications as commercial,industrial, and automotives areas.

We are looking forward to setting up business relationship with you and hope to provide you with the best service and solution. Let us make a better world for our industry!



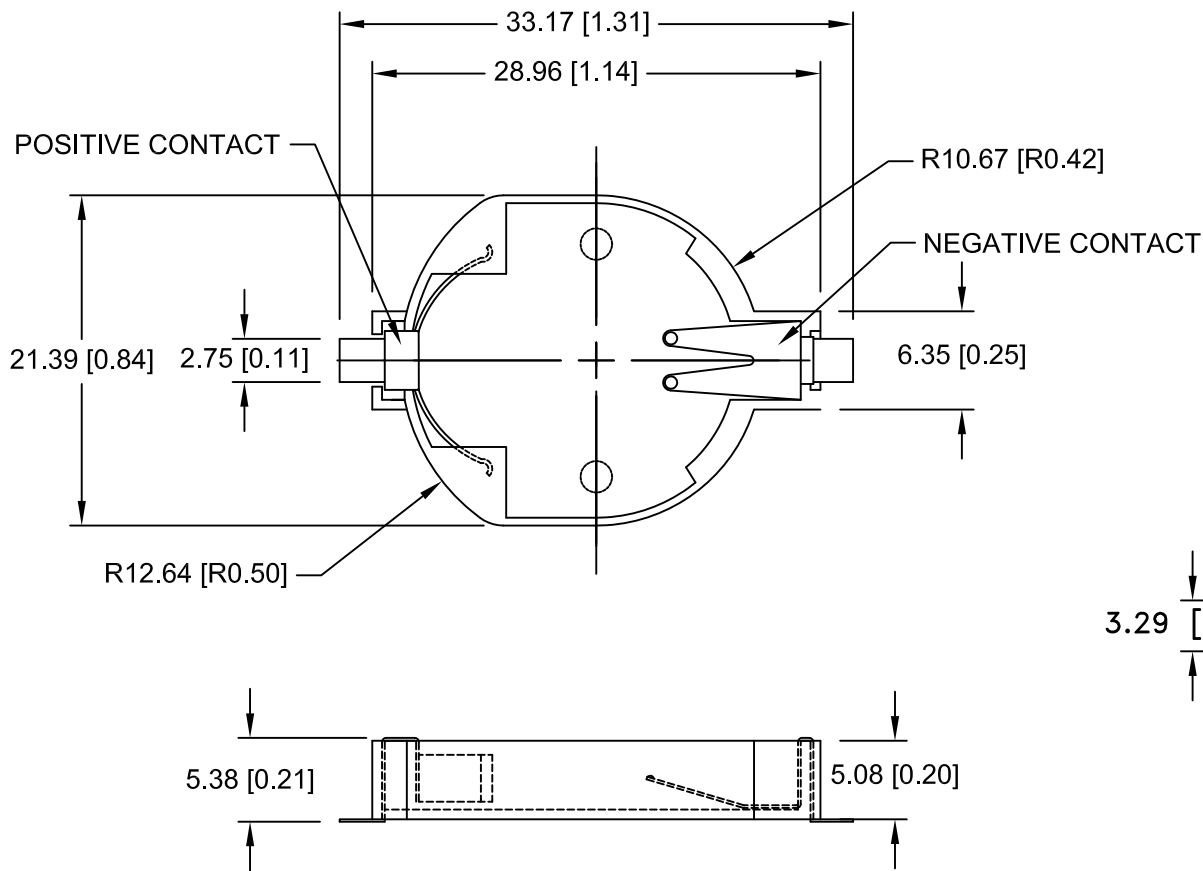
Contact us

Tel: +86-755-8981 8866 Fax: +86-755-8427 6832

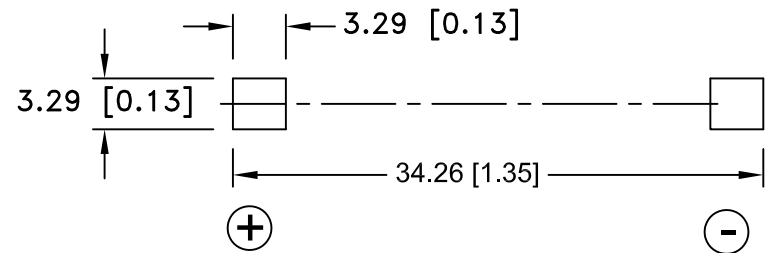
Email & Skype: info@chipsmall.com Web: www.chipsmall.com

Address: A1208, Overseas Decoration Building, #122 Zhenhua RD., Futian, Shenzhen, China





Date	SYM	REVISION RECORD	AUTH	DR.	CK.
9/24/10	A	ADDED RESULT OF DROP TEST	T.B.	B.S.	
10/22/10	B	DIM. 21.39 WAS 21.34 ADDED DIM. 5.38	T.B.	B.S.	
10/29/10	C	MATERIAL COLOR WAS OFF WHITE	T.B.	B.S.	




PCB LAYOUT

SPECIFICATIONS:

- * Holder material- PA 46, Black, UL94V-0
Temperature range: -40°C to +180°C,
- * Contacts : Stainless Steel 301, spring temper, Nickel Plated,
- * Vibration test: 10-50-10 hz swept in 60 seconds
x,y,z direction: 1 hour each direction
- * Result: no dislodgement of the cell or damage
no discontinuity over 10 micro-seconds
- * Shock test: half sine wave acceleration 150g.
6 micro-seconds 3 shock pulses each direction per axis,
total of 18 pulses
- * Result: no evidence of physical damage
- * Drop Test: Mounted on board and dropped 5 times from 1m high to
concrete floor
- * Result: No dislodgement of the cell, No damage to the holders

* ROHS COMPLIANT

Tolerance (Except as noted)	 Memory Protection Devices, Inc 200 Broad Hollow Road, Farmingdale, New York 11735	Scale	Drawn By B.S.
			Approved By T.B.
decimal ±.5 (.020)	Title CR2032 BATTERY HOLDER, SURFACE MOUNT		
Fractional ± .8 (.030)		Date 10/29/10	Drawing Number BC2032-F1
Angular ± 3°			