



Chipsmall Limited consists of a professional team with an average of over 10 year of expertise in the distribution of electronic components. Based in Hongkong, we have already established firm and mutual-benefit business relationships with customers from,Europe,America and south Asia,supplying obsolete and hard-to-find components to meet their specific needs.

With the principle of “Quality Parts,Customers Priority,Honest Operation,and Considerate Service”,our business mainly focus on the distribution of electronic components. Line cards we deal with include Microchip,ALPS,ROHM,Xilinx,Pulse,ON,Everlight and Freescale. Main products comprise IC,Modules,Potentiometer,IC Socket,Relay,Connector.Our parts cover such applications as commercial,industrial, and automotives areas.

We are looking forward to setting up business relationship with you and hope to provide you with the best service and solution. Let us make a better world for our industry!



## Contact us

Tel: +86-755-8981 8866 Fax: +86-755-8427 6832

Email & Skype: info@chipsmall.com Web: www.chipsmall.com

Address: A1208, Overseas Decoration Building, #122 Zhenhua RD., Futian, Shenzhen, China



## 500mW, NPN Small Signal Transistor

### FEATURES

- Low power loss, high efficiency
- Ideal for automated placement
- High surge current capability
- Compliant to RoHS directive 2011/65/EU and in accordance to WEEE 2002/96/EC
- Halogen-free according to IEC 61249-2-21

### APPLICATIONS

- Switching mode power supply (SMPS)
- Adapters
- Lighting application
- On-board DC/DC converter

### MECHANICAL DATA

- Case: TO-92
- Molding compound meets UL 94 V-0 flammability rating
- Moisture sensitivity level: level 1, per J-STD-020
- Packing code with suffix "G" means green compound (halogen-free)
- Terminal: Matte tin plated leads, solderable per J-STD-002
- Meet JESD 201 class 1A whisker test
- Weight: 8mg (approximately)

KEY PARAMETERS		
PARAMETER	VALUE	UNIT
$V_{CBO}$	30-80	V
$V_{CEO}$	30-65	V
$V_{EBO}$	6	V
$I_C$	100	mA
$h_{FE}$	220-800	
Package	TO-92	
Configuration	Single Dice	



1. Collector 2. Base 3. Emitter  
TO-92 Plastic Package

ABSOLUTE MAXIMUM RATINGS ( $T_A = 25^\circ\text{C}$ unless otherwise noted)			
PARAMETER	SYMBOL	VALUE	UNIT
Marking code on the device		BC8xxA/B/C (Note 1)	
Power dissipation	$P_D$	500	mW

#### Notes:

1. "xx" is device code from "46" to "50", "MARKING" should follow the "PART NO."

<b>ABSOLUTE MAXIMUM RATINGS</b> ( $T_A = 25^\circ\text{C}$ unless otherwise noted)				
<b>PARAMETER</b>		<b>SYMBOL</b>	<b>VALUE</b>	<b>UNIT</b>
Collector-base voltage, emitter open	BC546	$V_{CBO}$	80	V
	BC547,BC550		50	
	BC548,BC549		30	
Collector-emitter voltage, base open	BC546	$V_{CEO}$	65	V
	BC547,BC550		45	
	BC548,BC549		30	
Emitter-base voltage, collector open	BC546	$V_{EBO}$	6	V
	BC547,BC550		6	
	BC548,BC549		6	
Collector current		$I_C$	100	mA
Peak collector current		$I_{CM}$	200	mA
Junction temperature		$T_J$	-65 to +150	$^\circ\text{C}$
Storage temperature		$T_{STG}$	-65 to +150	$^\circ\text{C}$

<b>ELECTRICAL SPECIFICATIONS</b> ( $T_A = 25^\circ\text{C}$ unless otherwise noted)							
<b>PARAMETER</b>	<b>CONDITIONS</b>		<b>SYMBOL</b>	<b>MIN</b>	<b>TYP</b>	<b>MAX</b>	<b>UNIT</b>
Collector cutoff current, emitter open	$V_{CB} = 30\text{ V}$		$I_{CBO}$	-	-	15	nA
Emitter cutoff current, collector open	$V_{EB} = 5\text{ V}$		$I_{EBO}$	-	-	100	nA
Collector-base voltage, emitter open	$I_C = 100\ \mu\text{A}$	BC546	$V_{CBO}$	80	-	-	V
		BC547,BC550		50	-	-	
		BC548,BC549		30	-	-	
Collector-emitter voltage, base open	$I_C = 10\text{ mA}$	BC546	$V_{CEO}$	65	-	-	V
		BC547,BC550		45	-	-	
		BC548,BC549		30	-	-	
Emitter-base voltage, collector open	$I_E = 100\ \mu\text{A}$	BC546	$V_{EBO}$	6	-	-	V
		BC547,BC550		6	-	-	
		BC548,BC549		6	-	-	
DC current gain	$V_{CE} = 5\text{ V},$ $I_C = 2\text{ mA}$	Current gain group :A	$h_{FE}$	110	-	220	
		B		200	-	450	
		C		420	-	800	

<b>ORDERING INFORMATION</b>				
<b>PART NO.</b>	<b>PACKING CODE</b>	<b>PACKING CODE SUFFIX(*)</b>	<b>PACKAGE</b>	<b>PACKING</b>
BC5xxA/B/C (Note 1)	A1	G	TO-92	4K / Ammo
	B1			5K / Bulk

**Notes:**

1. "xx" is device code from "46" to "50"

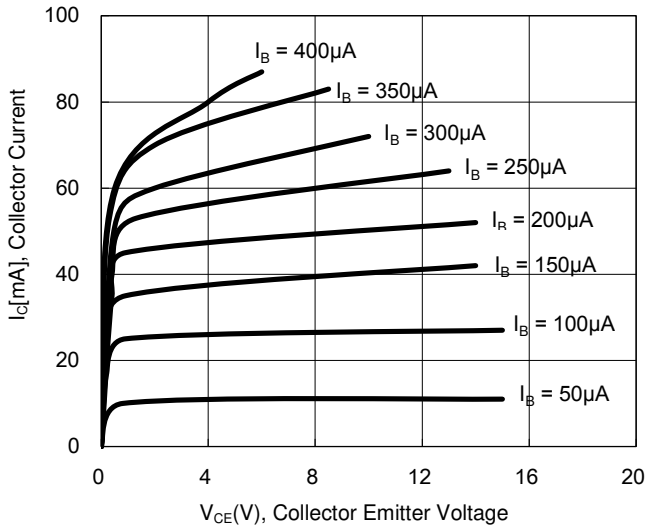
\*: optional available

<b>EXAMPLE</b>				
<b>EXAMPLE P/N</b>	<b>PART NO.</b>	<b>PACKING CODE</b>	<b>PACKING CODE SUFFIX</b>	<b>DESCRIPTION</b>
BC546A A1G	BC546A	A1	G	Green compound

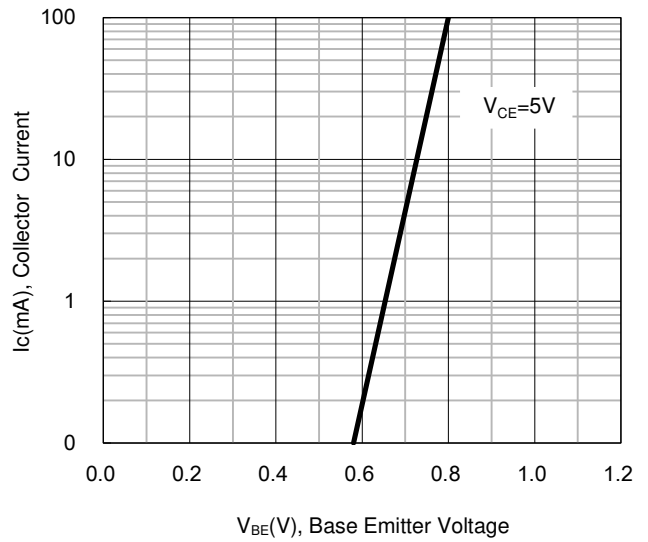
**CHARACTERISTICS CURVES**

( $T_A = 25^\circ\text{C}$  unless otherwise noted)

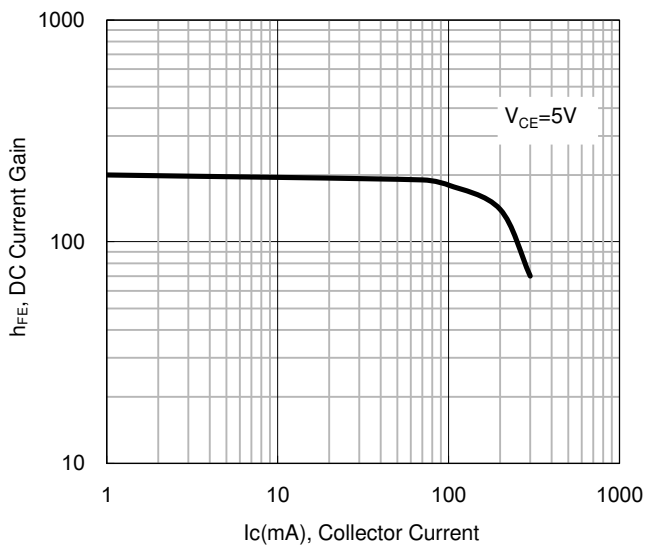
**Fig. 1 Static Characteristic**



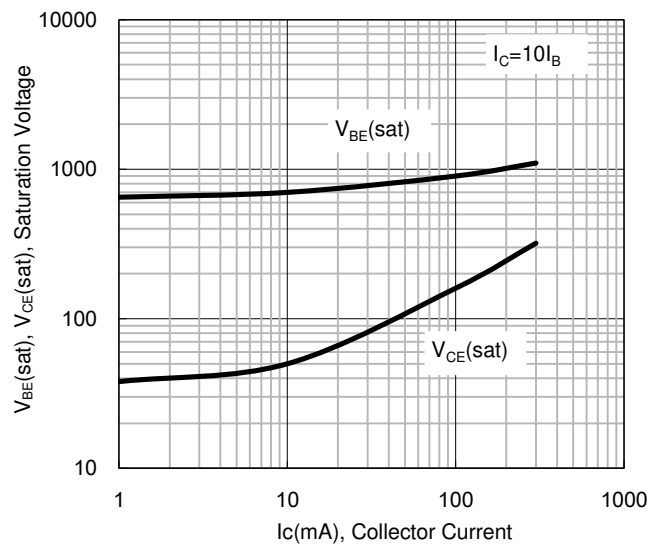
**Fig. 2 Transfer Characteristic**



**Fig. 3 DC Current Gain**

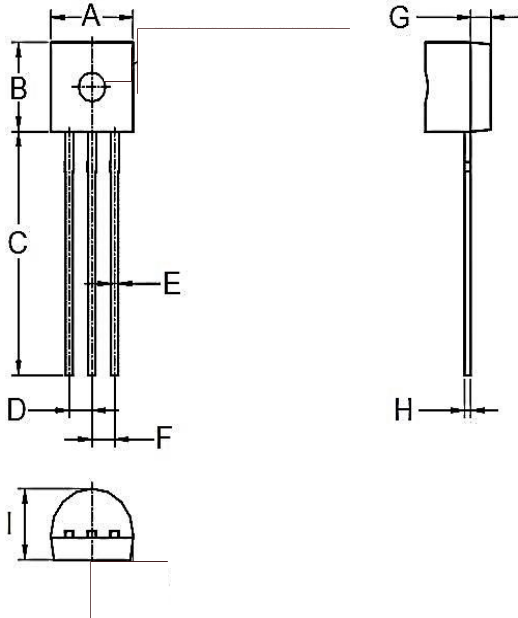


**Fig. 4 Base Emitter Saturation Voltage  
Collector Emitter Saturation Voltage**



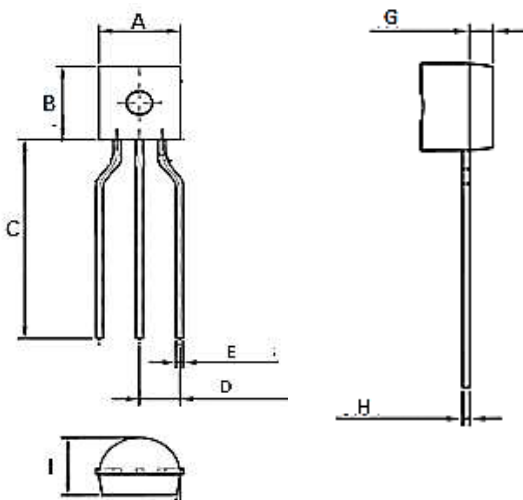
**PACKAGE OUTLINE DIMENSION**

TO-92 Bulk



DIM.	Unit(mm)		Unit(inch)	
	Min	Max	Min	Max
A	4.40	5.10	0.173	0.201
B	4.30	4.70	0.169	0.185
C	12.50	14.50	0.492	-
D	1.17	1.37	0.046	0.054
E	0.35	0.55	0.014	0.022
F	1.17	1.37	0.046	0.054
G	0.59	1.40	0.023	0.055
H	0.29	0.51	0.011	0.020
I	3.30	4.10	0.130	0.161

TO-92 Ammo



DIM.	Unit(mm)		Unit(inch)	
	Min	Max	Min	Max
A	4.30	4.70	0.169	0.185
B	4.30	4.70	0.169	0.185
C	12.50	-	0.492	-
D	2.20	2.80	0.087	0.110
E	0.35	0.55	0.014	0.022
G	1.00	1.20	0.039	0.047
H	0.29	0.51	0.011	0.020
I	3.30	3.70	0.130	0.146

## Notice

Specifications of the products displayed herein are subject to change without notice. TSC or anyone on its behalf, assumes no responsibility or liability for any errors or inaccuracies.

Information contained herein is intended to provide a product description only. No license, express or implied, to any intellectual property rights is granted by this document. Except as provided in TSC's terms and conditions of sale for such products, TSC assumes no liability whatsoever, and disclaims any express or implied warranty, relating to sale and/or use of TSC products including liability or warranties relating to fitness for a particular purpose, merchantability, or infringement of any patent, copyright, or other intellectual property right.

The products shown herein are not designed for use in medical, life-saving, or life-sustaining applications. Customers using or selling these products for use in such applications do so at their own risk and agree to fully indemnify TSC for any damages resulting from such improper use or sale.