



Chipsmall Limited consists of a professional team with an average of over 10 year of expertise in the distribution of electronic components. Based in Hongkong, we have already established firm and mutual-benefit business relationships with customers from,Europe,America and south Asia,supplying obsolete and hard-to-find components to meet their specific needs.

With the principle of “Quality Parts,Customers Priority,Honest Operation,and Considerate Service”,our business mainly focus on the distribution of electronic components. Line cards we deal with include Microchip,ALPS,ROHM,Xilinx,Pulse,ON,Everlight and Freescale. Main products comprise IC,Modules,Potentiometer,IC Socket,Relay,Connector.Our parts cover such applications as commercial,industrial, and automotives areas.

We are looking forward to setting up business relationship with you and hope to provide you with the best service and solution. Let us make a better world for our industry!



Contact us

Tel: +86-755-8981 8866 Fax: +86-755-8427 6832

Email & Skype: info@chipsmall.com Web: www.chipsmall.com

Address: A1208, Overseas Decoration Building, #122 Zhenhua RD., Futian, Shenzhen, China



FEATURES:

- HB LEDs available in white, red, blue, and green
- Available lengths of 12", 24", 36", and 48"
- Individual placement or daisy chain
- Narrow Beam
- Instant On
- Lead/Mercury Free
- UL Rated
- Low Profile
- Long Life

The Coastline Series of LED lights feature high brightness performance in a low profile with a narrow beam. C5500 linears are available in a variety of lengths and LED colors, and are designed for individual placement and daisy chained configurations.

SPECIFICATIONS

Part Number	Length	LED Color	Power Consumption	Color Temp (K) /Wavelength Range	Lumen Output
C5500-C-_-12	12"	Cool White	5.0	6500K	445
C5500-C-_-24	24"		10.0	6500K	870
C5500-C-_-36	36"		15.0	6500K	1295
C5500-C-_-48	48"		20.0	6500K	1720
C5500-N-_-12	12"	Neutral White	5.0	4750K	400
C5500-N-_-24	24"		10.0	4750K	780
C5500-N-_-36	36"		15.0	4750K	1170
C5500-N-_-48	48"		20.0	4750K	1560
C5500-W-_-12	12"	Warm White	5.0	3100K	390
C5500-W-_-24	24"		10.0	3100K	760
C5500-W-_-36	36"		15.0	3100K	1150
C5500-W-_-48	48"		20.0	3100K	1540
C5500-R-_-12	12"	Red	5.0	620~630nm	195
C5500-R-_-24	24"		10.0	620~630nm	390
C5500-R-_-36	36"		15.0	620~630nm	585
C5500-R-_-48	48"		20.0	620~630nm	780
C5500-G-_-12	12"	Green	5.0	520~535nm	320
C5500-G-_-24	24"		10.0	520~535nm	640
C5500-G-_-36	36"		15.0	520~535nm	960
C5500-G-_-48	48"		20.0	520~535nm	1280
C5500-B-_-12	12"	Blue	5.0	465~485nm	125
C5500-B-_-24	24"		10.0	465~485nm	250
C5500-B-_-36	36"		15.0	465~485nm	375
C5500-B-_-48	48"		20.0	465~485nm	500

Rated Life: 50,000 hours

Degree of Rotation: 0-90°

Operating Temperature: 0° C ~+ 40° C

Voltage Input: 24VDC, Constant Voltage

Controls: See Accessory SW-1001

Housing: Aluminum, Clear Polycarbonate Lens

Weight: 53~212

Dimensions: W .83" (21.1mm)

H .60" (15.2mm)

L Please see page 2 for length dimensions

**not including mounts

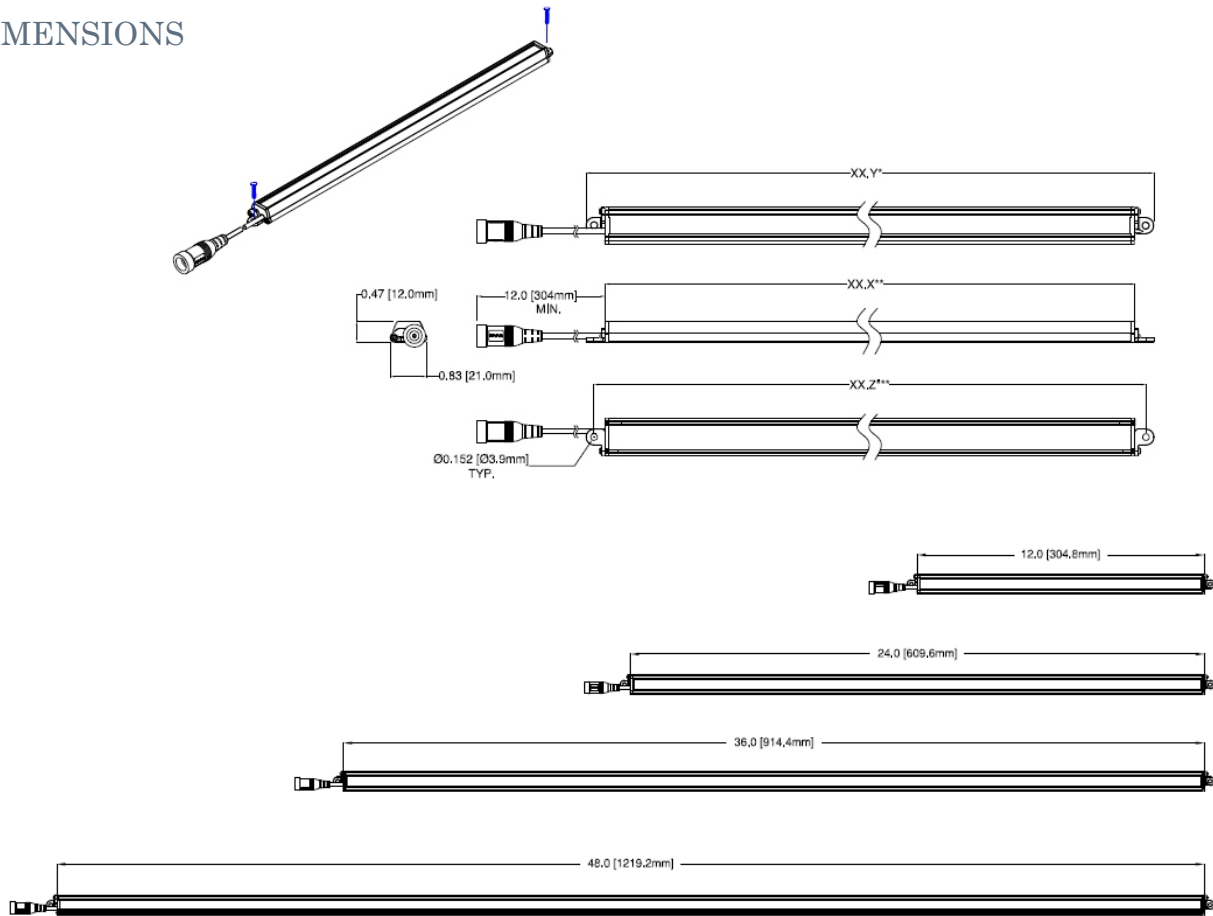
Compliance:



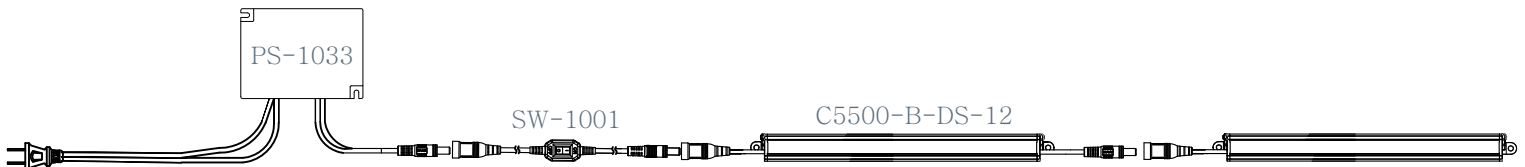
Restriction of Hazardous Substances Directive (RoHS) implements EU Directive 2002 / 95 which bans placing electrical and hazardous equipment that contains more than agreed levels of hazardous substances on the EU market. For a list of these substances, visit www.rohs.gov.uk.

COASTLINE C5500 SERIES

DIMENSIONS



DAISYCHAIN CONFIGURATION



ORDERING INFORMATION

Model	Color	Type	Length	Example
C5500	C-Cool White	S-Standard	12"	C5500-C-S-12
C5500	B-Blue	DS-Daisychain	12"	C5500-B-DS-12

ACCESSORIES

Class 2 Power Supply (40 Watt)

Califia Lighting Part #PS-1033

In-line On/Off Switch

Califia Lighting Part #SW-1001

All luminaires are easily customizable. Power accessories can be ordered separately.