



Chipsmall Limited consists of a professional team with an average of over 10 year of expertise in the distribution of electronic components. Based in Hongkong, we have already established firm and mutual-benefit business relationships with customers from,Europe,America and south Asia,supplying obsolete and hard-to-find components to meet their specific needs.

With the principle of “Quality Parts,Customers Priority,Honest Operation,and Considerate Service”,our business mainly focus on the distribution of electronic components. Line cards we deal with include Microchip,ALPS,ROHM,Xilinx,Pulse,ON,Everlight and Freescale. Main products comprise IC,Modules,Potentiometer,IC Socket,Relay,Connector.Our parts cover such applications as commercial,industrial, and automotives areas.

We are looking forward to setting up business relationship with you and hope to provide you with the best service and solution. Let us make a better world for our industry!



Contact us

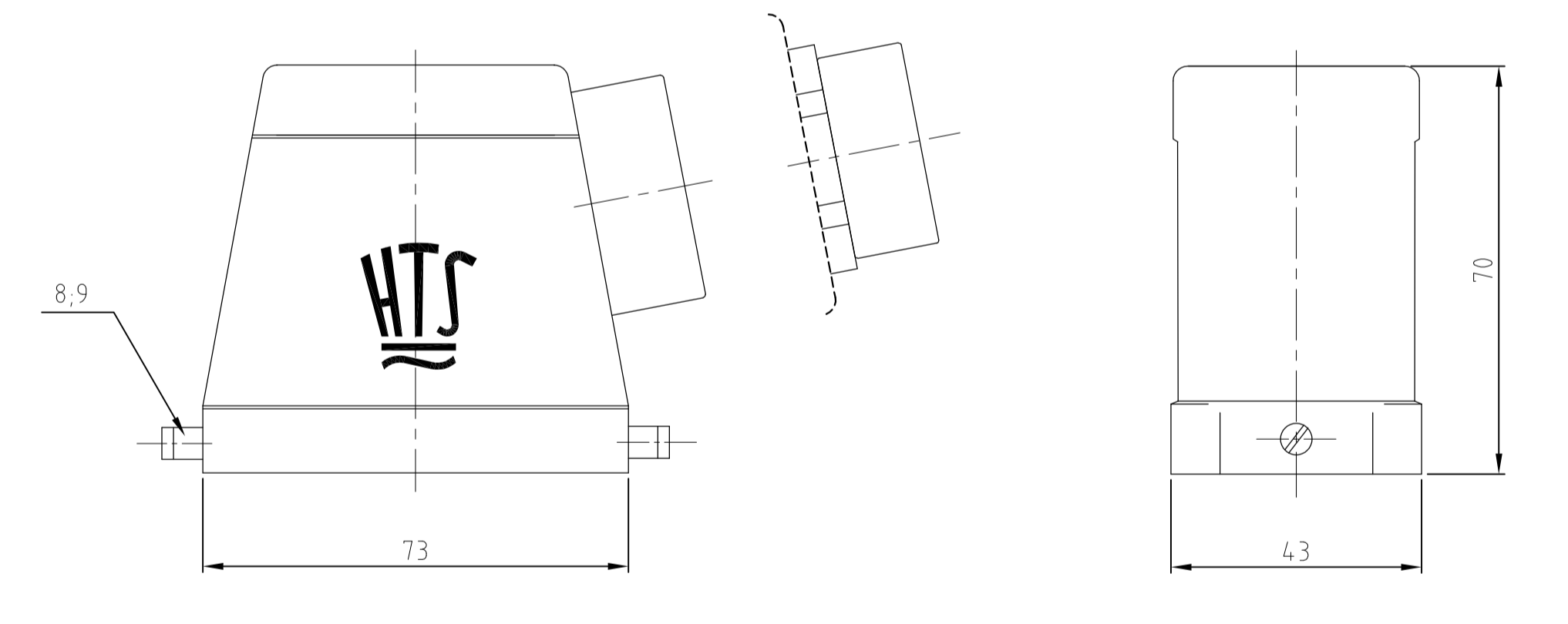
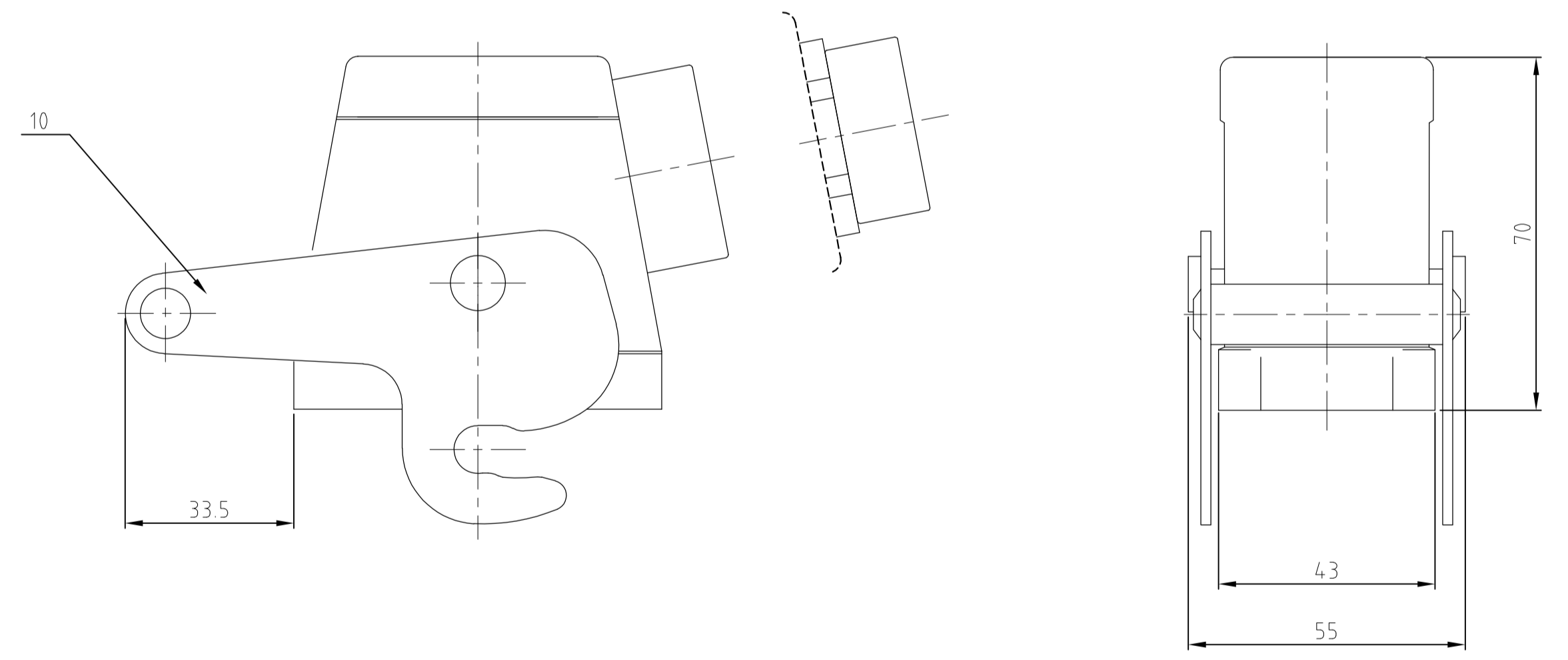
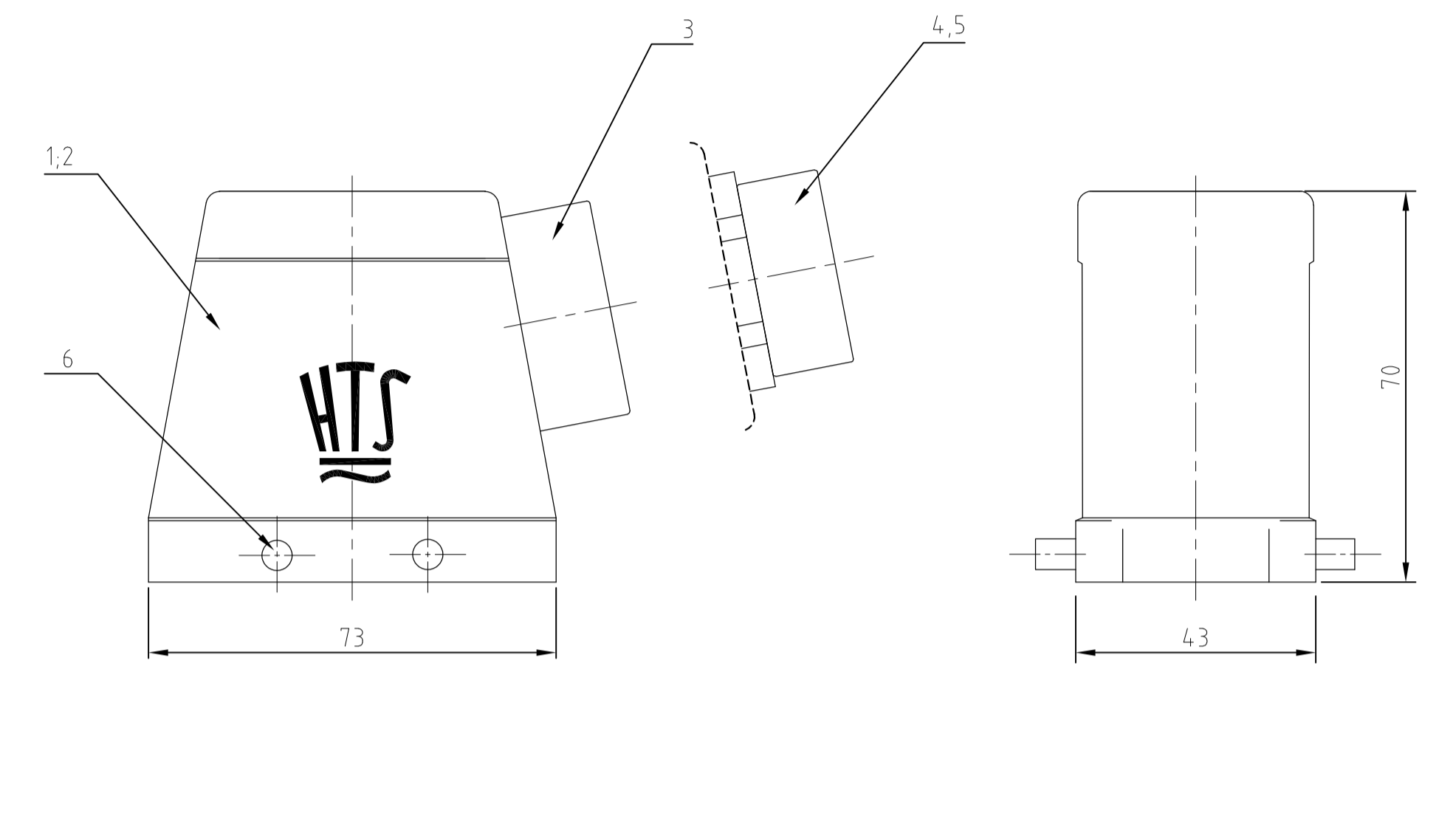
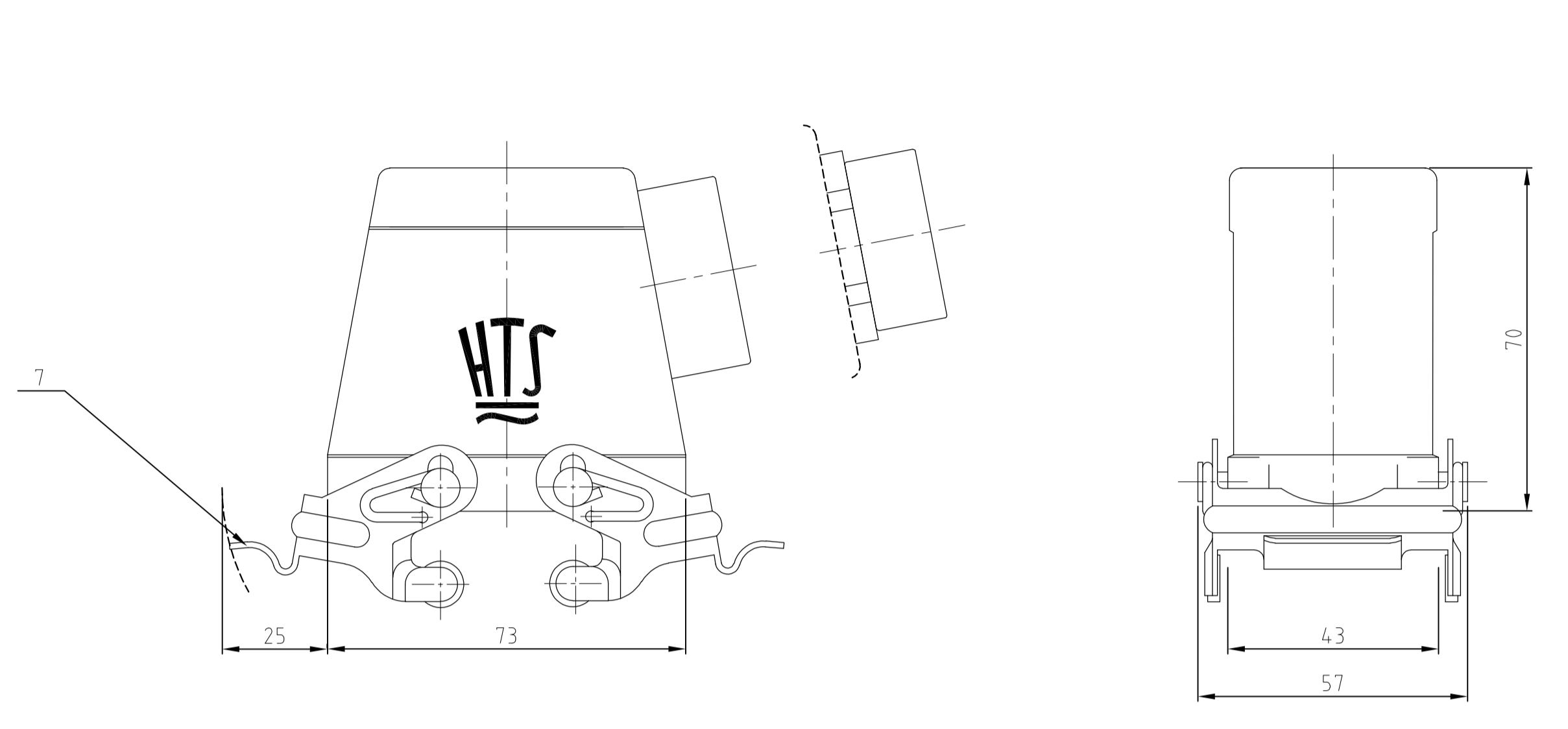
Tel: +86-755-8981 8866 Fax: +86-755-8427 6832

Email & Skype: info@chipsmall.com Web: www.chipsmall.com

Address: A1208, Overseas Decoration Building, #122 Zhenhua RD., Futian, Shenzhen, China



LOC	DIST	REVISIONS			
		NO.	DATE	BY	CHK
A1	-	A3	29.01.02	SR	SM
		A4	06NOV99	KK	AE



3 OBSOLETE PARTS: OBSOLETE CIS STREAMLINING PER D.RENAUD/D.SINISI

ITEM NO.	DESCRIPTION / BENENNUNG	MATERIAL	SURFACE / OBERFLÄCHE	COLOR / FARBE	ITEM NO. POS.	REMARKS / BEMERKUNGEN
1	ZB-Zentralbügel	Stahl	verzinkt	blau	10	-
2	LB-Bügelbolzen	V2A	-	-	9	-
2	LB-Bügelbolzen	Stahl	verzinkt	blau	8	-
2	VS-Bügel	Stahl	verzinkt	blau	7	-
4	VS-Bügelbolzen	V2A	-	-	6	-
1	O-Ring	Neoprene	-	black/schwarz	5	-
1	Zwischenstützen 6kt PG21	Messing	vernickelt	-	4	-
1	Zwischenstützen PG21	Messing	vernickelt	-	3	-
1	Steckergehäuse HD.24 Pg.1.21	aluminium/ALU	aluminium oxid	black/schwarz	2	-
1	Steckergehäuse HD.24 Pg.1.21	aluminium/ALU	-	grey/grau	1	-

HD-Z24-S1S-ZB-1.21Z	HD-K24-S1S-GR-1.21Z	HD-Z4-S1S-GR-1.21Z	HD-K4-S1S-GR-1.21Z	HD-Z4-S1S-VS-1.21Z	HD-K4-S1S-VS-1.21Z	HD-Z4-S1S-1.21Z
ORDERING TEXT / BESTELTEXT						
DIMENSIONS: mm			TOLERANCES UNLESS OTHERWISE SPECIFIED: ALL DIMENSIONS			
MATERIAL			FINISH / OBERFLÄCHE / FARBE			

DRW Schneider	08.12.98		HTS Elektrotechnik 53819 Neunkirchen, Germany
GRK Schweiher	08.12.98		
NAME	HOOD		
PRODUCT SPEC	STECKERGEHÄUSE HD.24.S1S.1.21Z		
APPLICATION SPEC	VERARBEITUNGSSPEZ.		
WEIGHT	-		
CUSTOMER DRAWING	/KUNDENZEICHNUNG		