



Chipsmall Limited consists of a professional team with an average of over 10 year of expertise in the distribution of electronic components. Based in Hongkong, we have already established firm and mutual-benefit business relationships with customers from,Europe,America and south Asia,supplying obsolete and hard-to-find components to meet their specific needs.

With the principle of “Quality Parts,Customers Priority,Honest Operation,and Considerate Service”,our business mainly focus on the distribution of electronic components. Line cards we deal with include Microchip,ALPS,ROHM,Xilinx,Pulse,ON,Everlight and Freescale. Main products comprise IC,Modules,Potentiometer,IC Socket,Relay,Connector.Our parts cover such applications as commercial,industrial, and automotives areas.

We are looking forward to setting up business relationship with you and hope to provide you with the best service and solution. Let us make a better world for our industry!



## Contact us

Tel: +86-755-8981 8866 Fax: +86-755-8427 6832

Email & Skype: info@chipsmall.com Web: www.chipsmall.com

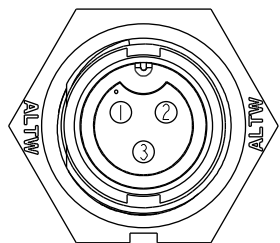
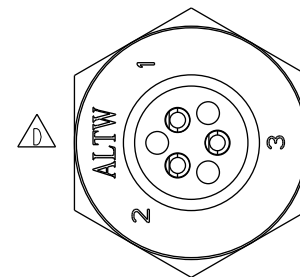
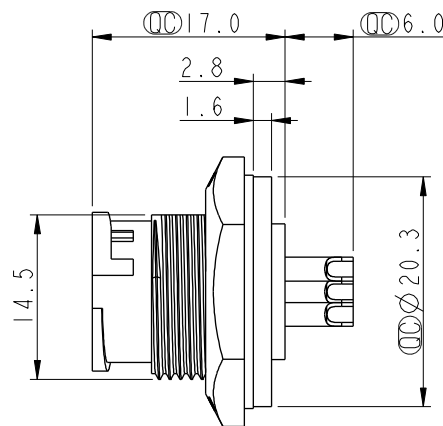
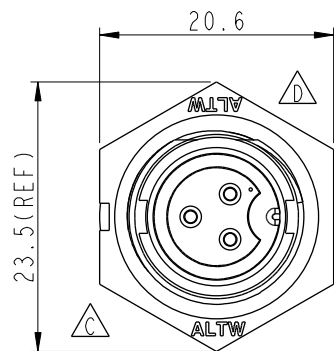
Address: A1208, Overseas Decoration Building, #122 Zhenhua RD., Futian, Shenzhen, China



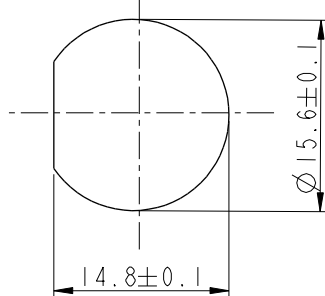
ALTW  
CONFIDENTIAL  
2017-03-21  
R&D DEPT.

ALTW  
DCC. DEPT.  
CONFIDENTIAL  
2017.03.30  
ISSUED

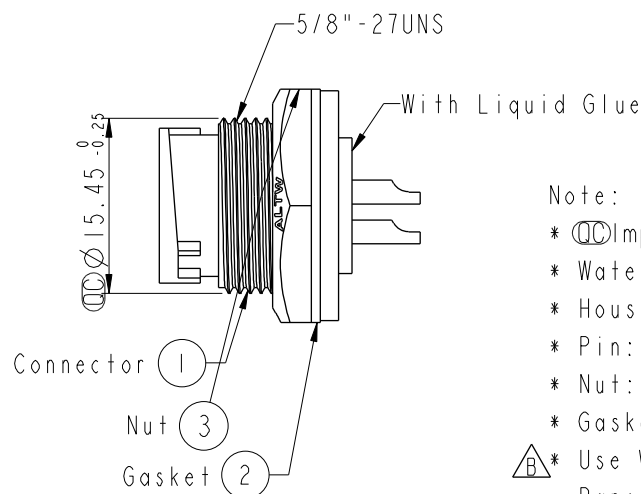
REV.	ECN NO.	DATE	SIGN	DESCRIPTION
B		2008/09/19	Shin	Add Note
C	LE3-8C0065	2008/11/07	TOMMY	Change To Pin Hole
D	LEN1730295	2017/03/21	Ruru	Change Logo



Pin Assignments  
Front View



Recommended Panel Cut-out



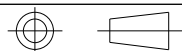
Note:

- \*  $\varnothing$  Important Dimension To Check.
- \* Waterproof Rate: IP67
- \* Housing: Black, Nylon+GF
- \* Pin: Copper Alloy, Gold Plated
- \* Nut: Black, Nylon+GF
- \* Gasket: Black, EPDM

$\triangle$  \* Use With Waterproof Cap Or Dust Cap  
Panel Thickness Max: 3.0mm

$\triangle$  \* Use Without Waterproof Cap Or Dust Cap  
Panel Thickness Max: 4.5mm

UNIT:mm



TOLERANCE  
.X ±0.25  
.XX ±0.1  
.XXX ±0.05  
ANGLES ±1°

TITLE			
Standard Panel Lock 3Pin M Conn F Pin			
SCALE	SIZE	SHEET	OF
2:1	A4	1	1
REV.	WC-REV.	$\varnothing$ : Inspection item	
D	A.2		

**Amphenol LTW**  
安費諾亮泰企業股份有限公司

ITEM NO	DRAWN BY	DATE
BD-03PMFS-LC7001	Ruru	2017-03-21
DWG NO	CHECKED BY	DATE
BD-03PMFS-LC7001	Rita	2017-03-21
CUSTOMER	APPROVED BY	DATE
ALTW	Max	2017-03-21

THIS DOCUMENT IS SUBJECT TO CHANGE WITHOUT NOTICE. IT IS CONFIDENTIAL AND A PROPERTY OF AMPHENOL LTW. DISCLOSURE TO THIRD PARTY HAS TO BE AUTHORIZED BY AMPHENOL LTW.