



Chipsmall Limited consists of a professional team with an average of over 10 year of expertise in the distribution of electronic components. Based in Hongkong, we have already established firm and mutual-benefit business relationships with customers from,Europe,America and south Asia,supplying obsolete and hard-to-find components to meet their specific needs.

With the principle of "Quality Parts,Customers Priority,Honest Operation,and Considerate Service",our business mainly focus on the distribution of electronic components. Line cards we deal with include Microchip,ALPS,ROHM,Xilinx,Pulse,ON,Everlight and Freescale. Main products comprise IC,Modules,Potentiometer,IC Socket,Relay,Connector.Our parts cover such applications as commercial,industrial, and automotives areas.

We are looking forward to setting up business relationship with you and hope to provide you with the best service and solution. Let us make a better world for our industry!



Contact us

Tel: +86-755-8981 8866 Fax: +86-755-8427 6832

Email & Skype: info@chipsmall.com Web: www.chipsmall.com

Address: A1208, Overseas Decoration Building, #122 Zhenhua RD., Futian, Shenzhen, China

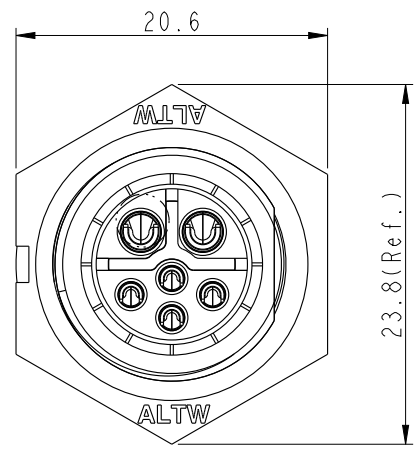
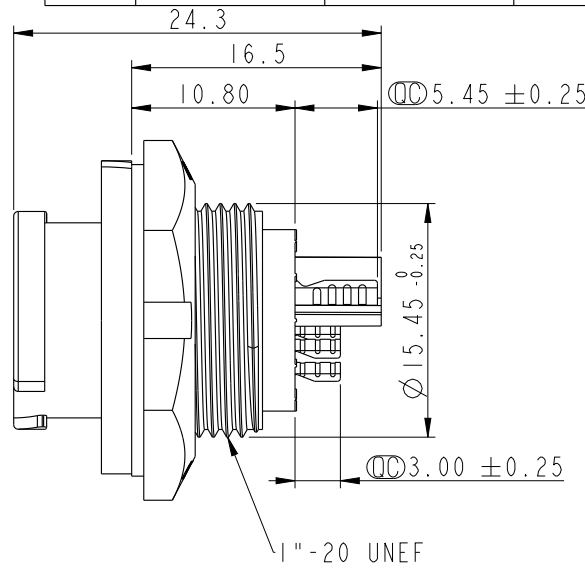
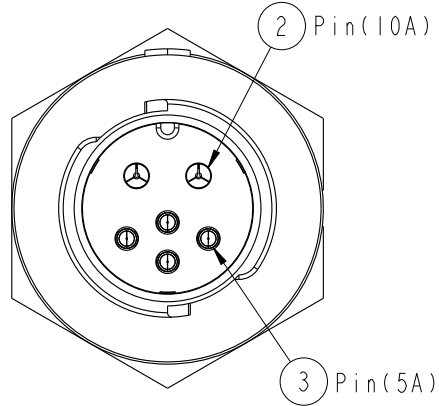


THIS DOCUMENT IS SUBJECT TO CHANGE WITHOUT NOTICE. IT IS CONFIDENTIAL AND A PROPERTY OF Amphenol LTW. DISCLOSURE TO THIRD PARTY HAS TO BE AUTHORIZED BY Amphenol LTW.

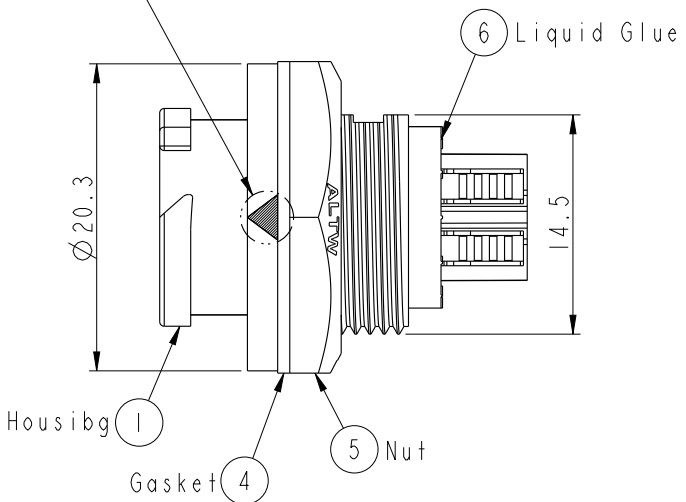
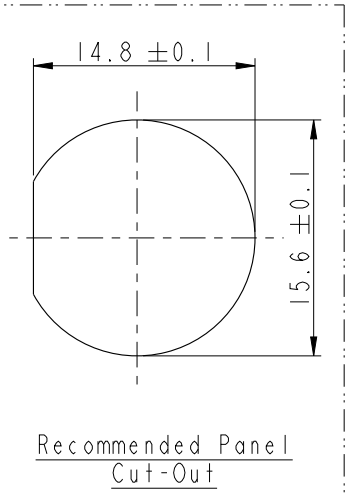
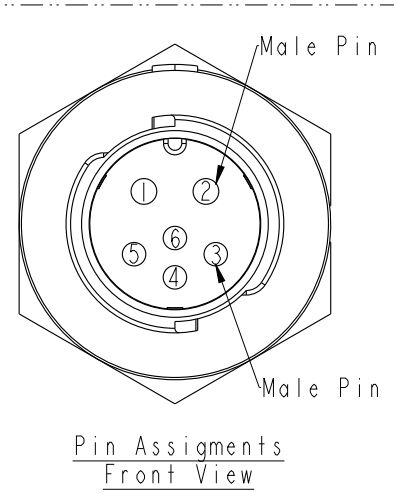
REV.	ECN NO.	DATE	SIGN	DESCRIPTION
A	Initial Release	2016-05-07	Spring	Change Rev.01 To Rev.A

ALTW
CONFIDENTIAL
2016-05-07
R&D DEPT.

ALTW
DCC. DEPT.
CONFIDENTIAL
2016.05.18
ISSUED



∅ White Printing



- Note:
- * ∅ Important Dimension To Check.
 - * Waterproof Rate: IP68(Unmated)
In 1 meter water within 24 hours
 - * Working Voltage Rating:
Power: AC/DC 300V
Data: DC 30V
 - * Working Current:
Power: 10A
Data: 05A
 - * Housing: Nylon+GF, Black.
 - * Pin: Copper Alloy, Gold Plated.
 - * Nut: Nylon+GF, Black.
 - * Gasket: Silicone, Gray.
 - * Use without waterproof cap
Panel Thickness Max: 3.6mm

UNIT: mm

TOLERANCE	
.X	±0.25
.XX	±0.1
.XXX	±0.05
ANGLES	±1°

TITLE STANDARD, RECEPTACLE (REAR) X-LOK (2+4) PIN M CONN M PIN			
SCALE	2:1	SIZE	A4
REV.	A	WC-REV.	A.5
		∅ Inspection item	

Amphenol LTW
安費諾亮泰企業股份有限公司

ITEM NO	BBD-06RMMS-QC8001	DRAWN BY	Spring	DATE	2016-05-07
DWG NO	BBD-06RMMS-QC8001	CHECKED BY	Fisher	DATE	2016-05-07
CUSTOMER	ALTW	APPROVED BY	Kevin	DATE	2016-05-07

