



Chipsmall Limited consists of a professional team with an average of over 10 year of expertise in the distribution of electronic components. Based in Hongkong, we have already established firm and mutual-benefit business relationships with customers from,Europe,America and south Asia,supplying obsolete and hard-to-find components to meet their specific needs.

With the principle of “Quality Parts,Customers Priority,Honest Operation,and Considerate Service”,our business mainly focus on the distribution of electronic components. Line cards we deal with include Microchip,ALPS,ROHM,Xilinx,Pulse,ON,Everlight and Freescale. Main products comprise IC,Modules,Potentiometer,IC Socket,Relay,Connector.Our parts cover such applications as commercial,industrial, and automotives areas.

We are looking forward to setting up business relationship with you and hope to provide you with the best service and solution. Let us make a better world for our industry!



Contact us

Tel: +86-755-8981 8866 Fax: +86-755-8427 6832

Email & Skype: info@chipsmall.com Web: www.chipsmall.com

Address: A1208, Overseas Decoration Building, #122 Zhenhua RD., Futian, Shenzhen, China

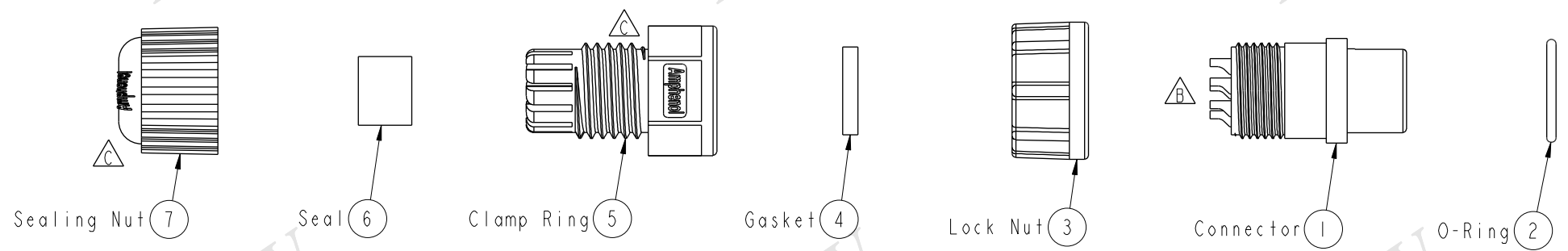


THIS DOCUMENT IS SUBJECT TO CHANGE WITHOUT NOTICE. IT IS CONFIDENTIAL AND A PROPERTY OF Amphenol LTW. DISCLOSURE TO THIRD PARTY HAS TO BE AUTHORIZED BY Amphenol LTW.

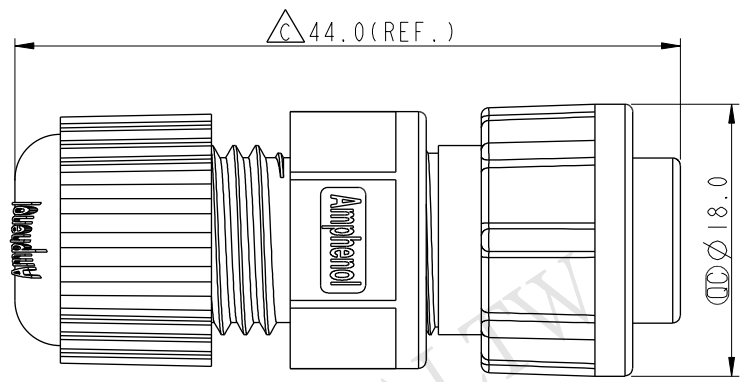
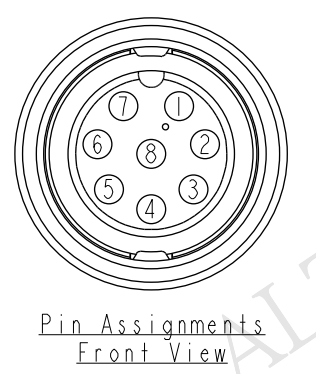
REV.	ECN NO.	DATE	SIGN	DESCRIPTION
B	LEN-0C0592	2010/11/29	Ivan	Change View
C	LEN14C0050	2014/11/25	Vicky	Update Logo & Dimension

ALTW
 CONFIDENTIAL
 2014-11-25
 R&D DEPT.

ALTW
 DCC. DEPT.
 CONFIDENTIAL
 2014.12.03
 ISSUED



- Note:
- * CC Important Dimension To Check.
 - * Waterproof Rate: IP67
 - * Housing: Nylon+GF, Black
 - * Female Pin: Copper Alloy, Gold Plated
 - * O-Ring: EPDM, Black
 - * Lock Nut: Nylon+GF, Black
 - * Gasket: EPDM, Black
 - * Clamp Ring: Nylon, Black
 - * Seal: EPDM, Black
 - * Sealing Nut: Nylon, Black
 - * Seal For Cable OD: $\varnothing 4.5\text{mm} \sim \varnothing 6.5\text{mm}$
(防水墊圈線徑: $\varnothing 4.5\text{mm} \sim \varnothing 6.5\text{mm}$)
 - * One Set Unassembled In One PE Bag
(每一組未組裝, 放置於一個PE袋, 並封口)



UNIT:mm		TITLE		ITEM NO	DRAWN BY	DATE
		Standard 8Pin F Conn. For Assy		BD-08BFFA-LL7001	Vicky	2014-11-25
TOLERANCE		SCALE	SIZE	SHEET	OF	DATE
.X	± 0.25	5:4	A4	1	1	2014-11-25
.XX	± 0.1	REV.	WC-REV.	Inspection item		
.XXX	± 0.05	C	A.2	Amphenol LTW 安費諾亮泰企業股份有限公司		
ANGLES	$\pm 1^\circ$			CUSTOMER	APPROVED BY	DATE
				ALTW	Rita	2014-11-25