



Chipsmall Limited consists of a professional team with an average of over 10 year of expertise in the distribution of electronic components. Based in Hongkong, we have already established firm and mutual-benefit business relationships with customers from,Europe,America and south Asia,supplying obsolete and hard-to-find components to meet their specific needs.

With the principle of “Quality Parts,Customers Priority,Honest Operation,and Considerate Service”,our business mainly focus on the distribution of electronic components. Line cards we deal with include Microchip,ALPS,ROHM,Xilinx,Pulse,ON,Everlight and Freescale. Main products comprise IC,Modules,Potentiometer,IC Socket,Relay,Connector.Our parts cover such applications as commercial,industrial, and automotives areas.

We are looking forward to setting up business relationship with you and hope to provide you with the best service and solution. Let us make a better world for our industry!



Contact us

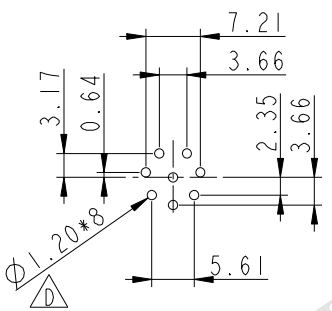
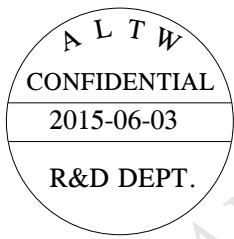
Tel: +86-755-8981 8866 Fax: +86-755-8427 6832

Email & Skype: info@chipsmall.com Web: www.chipsmall.com

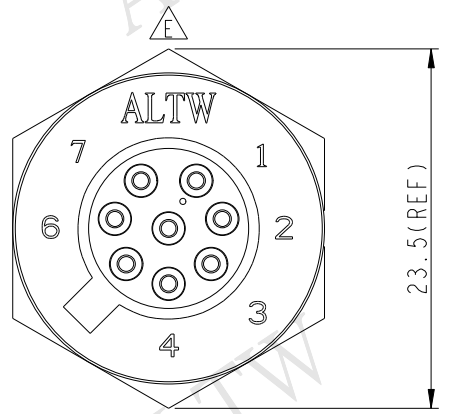
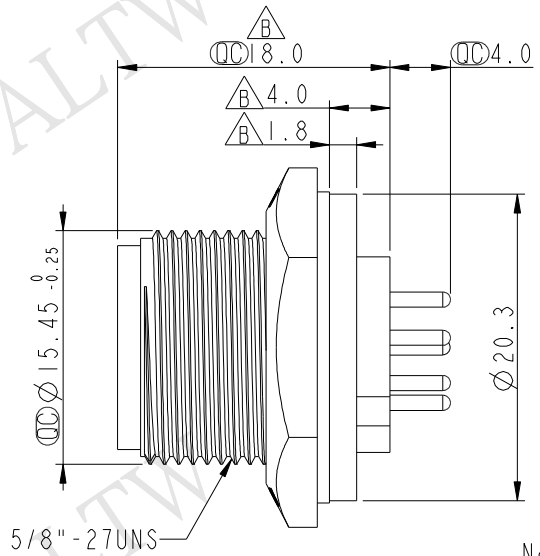
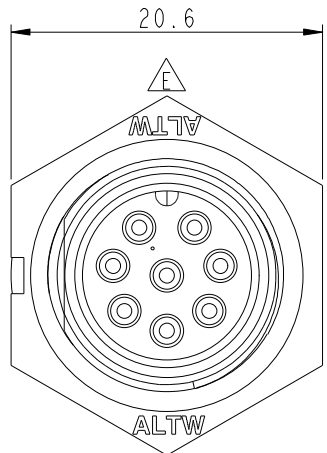
Address: A1208, Overseas Decoration Building, #122 Zhenhua RD., Futian, Shenzhen, China



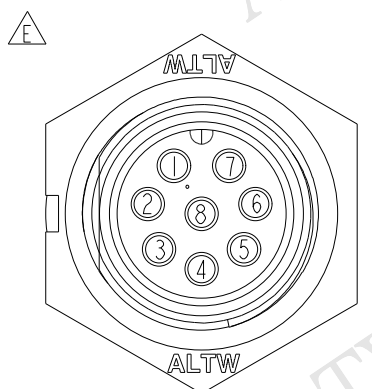
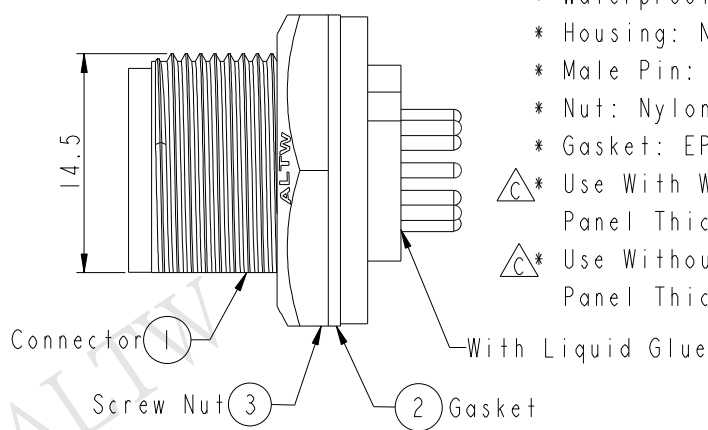
REV.	ECN NO.	DATE	SIGN	DESCRIPTION
C	LEN-8B0527	2008/09/17	Shin	Add Note
D	LEN12B0050	2012/11/09	Sam	Modify PCB Layout
E	LEN15A0323	2015/06/03	Jinhai	Change Logo



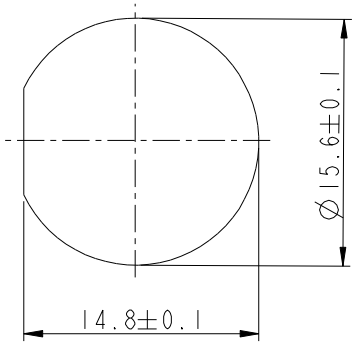
8 Pin Male Connector
Male Pin PCB Layout



- Note:
- * CC Important Dimension To Check.
 - * Waterproof Rate: IP67
 - * Housing: Nylon+GF, Black
 - * Male Pin: Copper Alloy, Gold Plated
 - * Nut: Nylon+GF, Black
 - * Gasket: EPDM, Black
 - $\triangle C$ * Use With Waterproof Cap Or Dust Cap
Panel Thickness Max: 3.0mm
 - $\triangle C$ * Use Without Waterproof Cap Or Dust Cap
Panel Thickness Max: 4.0mm



Pin Assignments
Front View



Recommended Panel Cut-out

UNIT:mm	
TOLERANCE	
.X	±0.25
.XX	±0.1
.XXX	±0.05
ANGLES	±1°

TITLE Standard Panel Screw 8Pin M Conn M Pin			
SCALE 2:1	SIZE A4	SHEET 1 OF 1	
REV. E	WC-REV. B.3	CC : Inspection item	

Amphenol LTW
安費諾亮泰企業股份有限公司

ITEM NO BD-08PMMP-SC7001	DRAWN BY Jinhai	DATE 2015-06-03
DWG NO BD-08PMMP-SC7001	CHECKED BY Tom	DATE 2015-06-03
CUSTOMER ALTW	APPROVED BY Jerry	DATE 2015-06-03

THIS DOCUMENT IS SUBJECT TO CHANGE WITHOUT NOTICE. IT IS CONFIDENTIAL AND A PROPERTY OF Amphenol LTW. DISCLOSURE TO THIRD PARTY HAS TO BE AUTHORIZED BY Amphenol LTW.