



Chipsmall Limited consists of a professional team with an average of over 10 year of expertise in the distribution of electronic components. Based in Hongkong, we have already established firm and mutual-benefit business relationships with customers from,Europe,America and south Asia,supplying obsolete and hard-to-find components to meet their specific needs.

With the principle of "Quality Parts,Customers Priority,Honest Operation,and Considerate Service",our business mainly focus on the distribution of electronic components. Line cards we deal with include Microchip,ALPS,ROHM,Xilinx,Pulse,ON,Everlight and Freescale. Main products comprise IC,Modules,Potentiometer,IC Socket,Relay,Connector.Our parts cover such applications as commercial,industrial, and automotives areas.

We are looking forward to setting up business relationship with you and hope to provide you with the best service and solution. Let us make a better world for our industry!



Contact us

Tel: +86-755-8981 8866 Fax: +86-755-8427 6832

Email & Skype: info@chipsmall.com Web: www.chipsmall.com

Address: A1208, Overseas Decoration Building, #122 Zhenhua RD., Futian, Shenzhen, China



LED Driver series for lighting

Step-down type with 1.5A output


BD9207FPS

No.09093EAT01

●Description

BD9207FPS is a LED driver with built-in step-down switching regulator and incorporates the built-in switching MOS EFT of Pch.

Feedback voltage is as low as 0.2V and can suppress the loss on the sense resistance of LED.

It is operated by PWM method with an oscillating frequency of 900 KHz and can use smaller coil than a switching regulator of low-frequency operation.

●Features

- 1) Maximum switching current of 1.5A
- 2) Built-in Pch switching MOS FET for high efficiency
- 3) Low loss because feedback voltage is as low as 0.2V
- 4) High oscillating frequency of 900KHz (Fixed)
- 5) Built-in soft start function
- 6) Built-in overcurrent protection circuit (OCP)
- 7) Built-in thermal shutdown circuit (TSD)
- 8) ON/OFF of output is possible by STBY terminal.
- 9) Compact surface-mount TO252S-5 package

●Applications

- For use in the light sources of PPC
- Printer etc. and the LCD backlights of LED lighting apparatus & monitor
- Note PC etc.

●Absolute maximum ratings (Ta=25°C)

Parameter	Symbol	Rating	Unit
Supply voltage (VCC-GND)	V _{CC}	36	V
STBY-GND Voltage	V _{STBY}	36	V
OUT-GND Voltage	V _{OUT}	36	V
INV-GND Voltage	V _{INV}	5	V
Maximum switching output current.	I _{OUT}	1.5(*1)	A
Allowable loss	P _d	800(*2)	mW
Operating temperature range	T _{opr}	-20 ~ +85	°C
Storage temperature range	T _{stg}	-55 ~ +150	°C

(*1)Regardless of the listed rating, do not exceeded Pd, ASO or Tjmax=150°C.

(*2) Without heat sink, reducing by the 16 mW every 1°C rise in temperature. (above 25°C)

●Operating range (Ta=-40~+85°C)

Parameter	Symbol	Limit			Unit	Conditions
		Min.	Typ.	Max.		
Supply voltage	VCC	8.0	-	35.0	V	
Output voltage	Vo	2.5	-	$0.8 \times (VCC - I_o \times R_{on})$	V	

●Electrical characteristics (Unless otherwise specified, Ta=25°C, VCC=24V, STBY=3V)

Parameter	Symbol	Limit			Unit	Conditions	
		Min.	Typ.	Max.			
Output MOS ON resistance	Ron	-	1.0	1.5	Ω		
Oscillating frequency	fosc	810	900	990	kHz		
Overcurrent detection current	Iocp	1.6	-	-	A		
INV terminal threshold voltage	VINV	0.194	0.200	0.206	V		
INV terminal bypass current	IINV	-	1	2	μA	VINV=0.2V	
STBY terminal control voltage	ON	VSTBYON	2.0	-	36	V	
	OFF	VSTBYOFF	-0.3	-	0.3	V	
STBY terminal inflow current	Istby	5	15	30	μA	STBY=3V	
Circuit current	Icc	-	5	12	mA		
Standby current	Ist	-	0	5	μA	STBY=0V	
Soft start time	Tss	-	-	10	ms	STBY=0→3V	

Without radiation-proof design.

●Functional explanation of block

- VREF
The constant voltage to be temperature-compensated is created from the voltage inputted from VCC terminal.
- OSC
Triangular wave with an oscillating frequency of 900 KHz is created, as an input of PWM comparator, by built-in resistor and capacitor.
- Error AMP
It detects, at INC terminal, the voltage of sense resistance terminal created by LEC current, and compares it to the reference voltage, and amplifies and outputs the differential voltage.
(The reference voltage is $0.2V \pm 3\%$)
- PWM COMP
PWM COMP converts the output voltage of error amplifier into the pulse-width modulation waveform and outputs it to DRIVER.
- DRIVER
Push-pull FET driver takes in the PWM waveform and directly drives the Pch MOS FET that is built-in in the IC.
- STBY
The ON/OFF control of output is performed by STBY terminal. The output becomes ON if STBY voltage is High level.
- Thermal shutdown circuit (TSD)
TSD circuit protects the IC from runaway thermal operation or heat damage.
TSD circuit detects the temperature of chip, and the circuit becomes off if the temperature reaches 175°C . For TSD detection and release, the hysteresis of 15°C is set, so the malfunction caused by temperature variation is prevented.
- Over Current Protection (OCP)
Out is turned off if the voltage difference between VCC – OUT, caused by the current flowing in the Pch MOS EFT built-in in OCP circuit, is detected and reaches the reference value of OCP. The OCP is not of latch type but of self-return type.
- Soft start circuit (SS)
Soft start time is set by the built-in capacitor connected to SS circuit. The capacitor is charged when STBY terminal becomes High level and the IC is started. The soft start time is set at 4ms or so.

● Selection and setting of application parts

Coil L1

The application efficiency will decrease by the larger serial resistance element of coil. Moreover, because OCP operates by 1.6A(min) or more, so please notice the heat generated by overload output or short.

Please set current ratings of coil with $I_{OUT}(MAX) + \Delta I_L$ or more. $I_{OUT}(MAX)$: maximum load current

If current flows more than ratings current, then coil generates heat, magnetic saturation, and causes oscillation or low efficiency.

Please select the peak current with enough margins not to exceed current rating of coil.

$$\Delta I_L = \frac{(VCC - VOUT)}{L1} \times \frac{VOUT}{VCC} \times \frac{1}{fosc}$$

L1: Coil value, VCC: Input voltage, VOUT: Output voltage, ΔI_L : Ripple current, fosc: Oscillation frequency

When value the efficiency, we recommend C10-H5R(mitsumi). Efficiency will be improved about 1~2%.

Schottky diode D1

Please select Schottky diode with lowest forward voltage VF.

(We can suppress the dissipation of forward voltage descent, and raise the efficiency.)

Diode selection is based on maximum forward current rating, reverse voltage rating and permissible power dissipation of diode.

- The maximum current ratings are assumed more than the value of maximum load current+ coil ripple current (ΔI_L).
- Reverse voltage rating is set to be VIN or more.
- Please choose the smallest one of reverse current IR.

Especially, IR grows at high temperature, and causes thermo runaway.

- Select the diode which permissible power dissipation within ratings.

Diode power dissipation Pdi is shown below.

$$Pdi = I_{OUT}(MAX) \times Vf \times (1 - VOUT/VCC)$$

$I_{OUT}(MAX)$: Load current. Vf: Forward voltage, VOUT: Output voltage, VCC: Input voltage

Output capacitor C1

Select the output capacitor with ESR met the following formula.

$$ESR \leq \Delta VL / \Delta I_L$$

ΔVL : Permissible ripple voltage, ΔI_L : Ripple current

Moreover, permissible ripple current effective value of output capacity is calculated by the next formula, and use this value to select the capacitor with enough margins.

$$IRMS = \Delta I_L / 2\sqrt{3}$$

IRMS: Permissible ripple current effective value of output capacity, ΔI_L : Ripple current

Ceramic capacitor must use the one more than B characteristic.

Besides above mentioned, IC might not be normally operated according to the different setting condition of ambient temperature and output voltage.

Moreover, even aluminum electrolytic capacitor can be used, please confirm its operation enough before using it.

Input capacitor C2

Input capacitor built in Pch MOS FET ON is the current supply of coil by FET.

So, please close to IC as near as possible to connect it. Enough margins is taken on setting input capacitor in capacitor withstand voltage and permissible ripple current value. According to the ripple current effective value of input capacitor shown below, select the capacitor with enough permissible ripple current value.

$$IRMS = I_{OUT} \times \sqrt{(1 - VOUT / VCC) \times VOUT / VCC}$$

IRMS: Permissible ripple current value of input capacitor

I_{OUT} : Load current. VOUT: Output voltage, VCC: Input voltage

Resistance R1

LED Current value is set below according to sense resistance R1.

$$I_{LED}[A] = V_{INV}[V] / R1[\Omega]$$

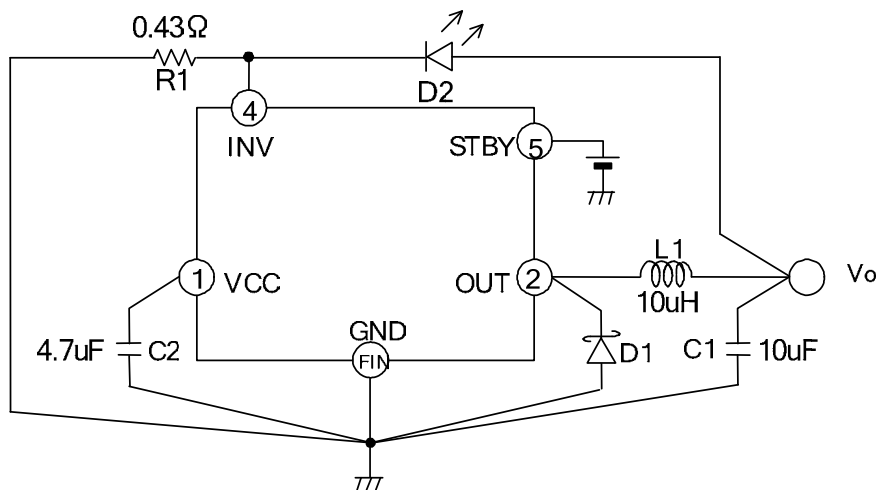
$$= 0.2V / R1[\Omega]$$

Moreover, DCDC Output voltage will be the value below.

$$V_O[V] = V_F(\text{LED Forward voltage}) + V_{INV}[V]$$

$$= V_F + 0.2V(\text{typ})$$

● Recommended circuit example and notes of substrate layout

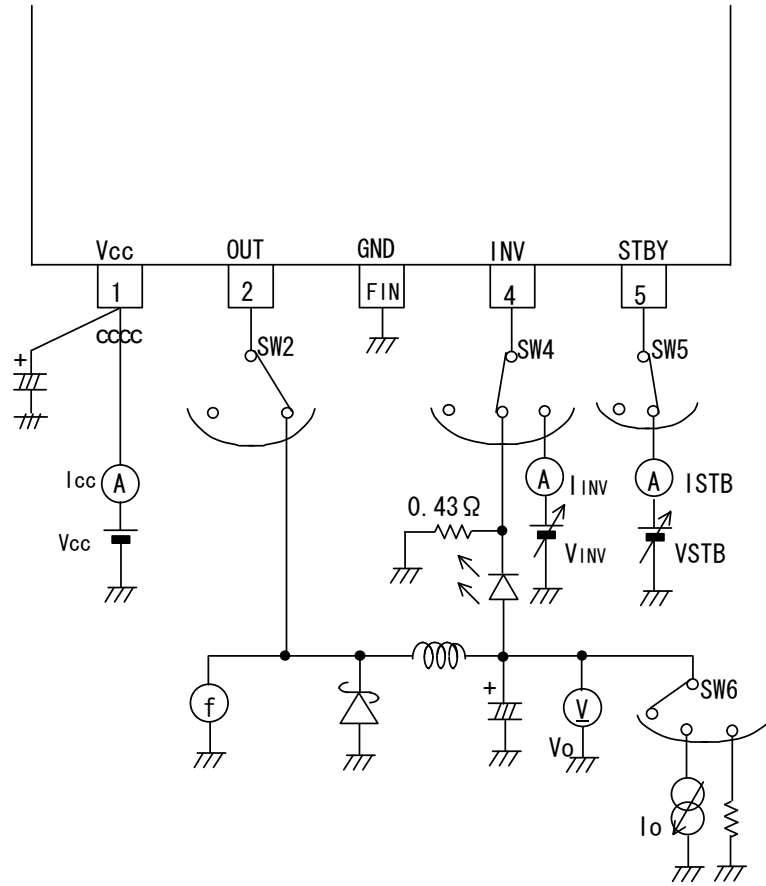


- To prevent noise and low efficiency, please set up the capacitor and Schottky diode between VCC – GND as near as possible to IC.
- Please connect the resistance and output LC filter capacitor between INV – GND with same GND for the stability of output voltage.

<Recommended parts example>

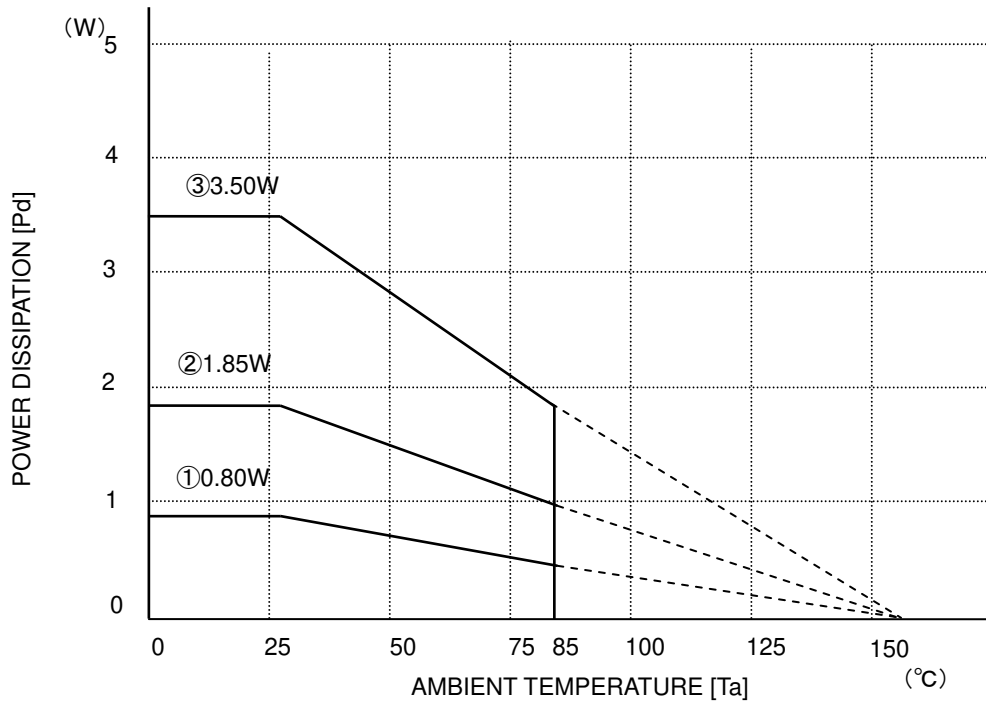
Coil	L1=10µH	: C6-K3LA (mitsumi)
Diode	D1	: RB050LA-30 (ROHM)
Capacitor	C1=10µF(25V)	: Ceramic capacitor GRM31CB31E106KA75L(murata)
	C2=4.7µF(50V)	: Ceramic capacitor GRM32EB31H475KA87L(murata)
Resistance	R1=0.43Ω	: MCR10EZPFR430 (ROHM)

● Measurement circuit diagram

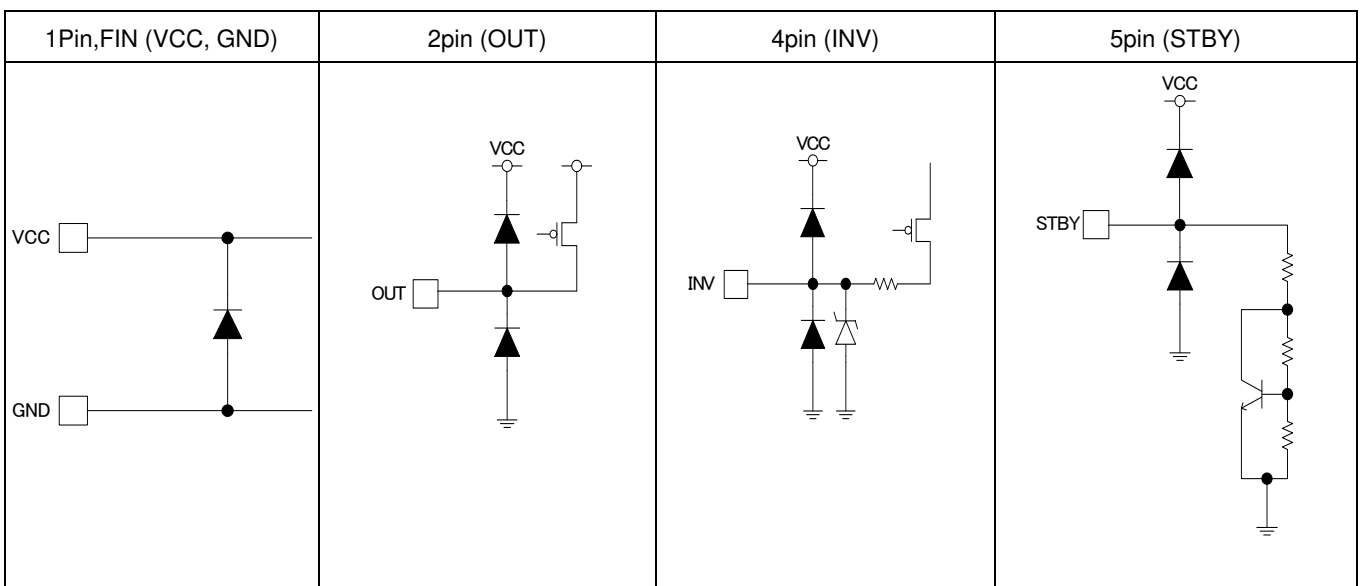


● Heat transfer characteristic

- ① IC unit
- ② 2 layers substrate (area of substrate back copper foil: 15 mm×15 mm)
- ③ 2 layers substrate (area of substrate back copper foil: 70 mm×70 mm)



● I/O terminal equivalent circuit diagram



●Notes for use

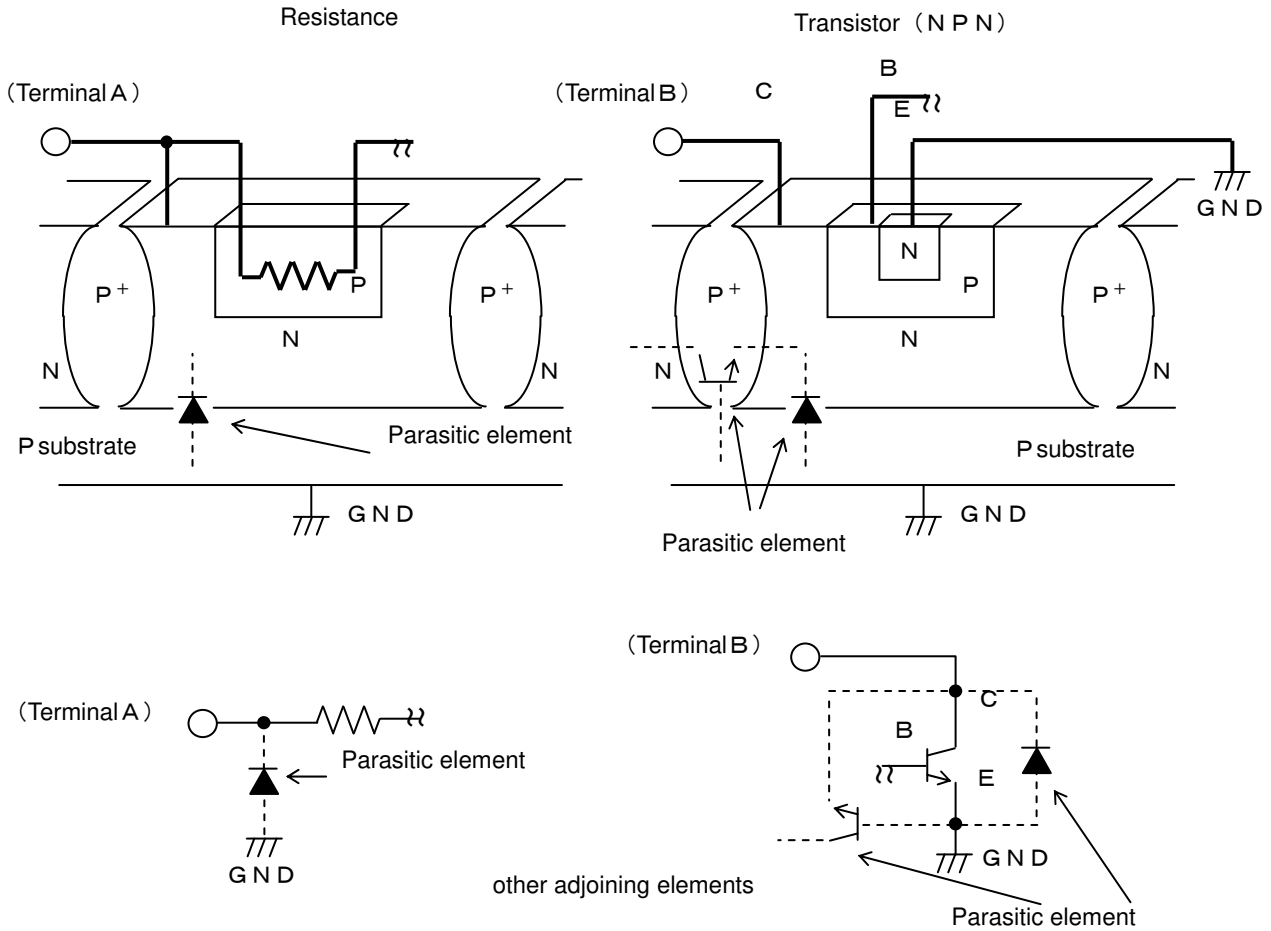
1. We have paid enough attention to quality control of this product, but it may be destroyed when the absolute maximum rating of impressed voltage and operating temperature range is exceeded. Because we can't specify that is short-mode or open-mode etc while it is destroyed, so please discuss to give physical safety action with postulating the special mode exceeded absolute maximum rating.
2. About application circuit
Application circuit is recommended, but please fully confirm temperature characteristic etc when using it. Moreover, please acknowledge that our company can't confirm enough about patent.
3. About the range of operation power-supply voltage
Circuit function operation at the range of operation ambient temperature is guaranteed when it is in the range of operation power-supply voltage. About characteristic value, the specification value of electric characteristic can't be guaranteed, but the characteristic value doesn't change rapidly in these ranges.
4. About ground connection
The ground connection shown in application circuit example should equip enough fat GND(FIN) to every ground connection with shortest pattern drawing, and the pattern shouldn't interfere the electric characteristic.
5. About input power-supply
The input power-supply shown in application circuit example should equip input pin VCC(1pin) with short enough pattern drawing, and the pattern shouldn't interfere the electric characteristic.
6. Please think about permissible power dissipation (Pd) in an actual using status, and do the heat design with enough margins.
7. Please pay enough attention to the direction and displacement of IC when you install it on PCB. If you install it by mistake, IC might be destroyed. Moreover, when short-circuit happen by foreign substance entered between outputs, or output and power supply GND, it will be destroyed.
8. Please note that there is a possibility of malfunction if you use it in strong electromagnetic field.
9. Please set STBY terminal voltage to 0.3V or less when putting it on standby status, to 2.0V or more when putting it on operation status.
Please do not fix STBY terminal voltage from 0.3V to 2.0V. It may cause malfunction or breakdown.

10. This IC is a monolithic IC, and there are P + isolation and P substrate for element separation between each element. P-N joint is formed with this P layer and N each element's layer, and various parasitic elements are composed.

For instance, as shown in the figure below, when resistance and transistor are connected with terminal:

- P-N joint operates as a parasitic diode when GND > (terminal A) in resistance, GND > (terminal B) in transistor (NPN).
- Moreover, when GND > (terminal B) in transistor (NPN), the parasitic NPN transistor operates with N layer of other elements adjoining with above-mentioned parasitic diode.

According to potential relation, parasitic element in IC structure can be consequent. The operating of parasitic element maybe interfere the circuit operation, and become the cause of malfunction and destruction. Therefore, please pay enough attention not to use it by impressing lower voltage than GND (P substrate) on I/O terminal etc to operate parasitic element.



Simple structure example of bipolar IC

●Ordering part number

B	D
---	---

Part No.

9	2	0	7
---	---	---	---

Part No.

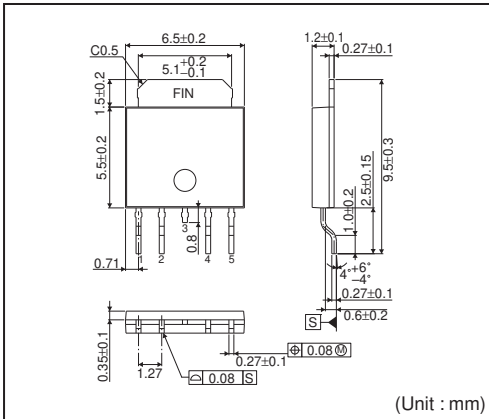
F	P	S
---	---	---

Package
FPS: TO252S-5

E	2
---	---

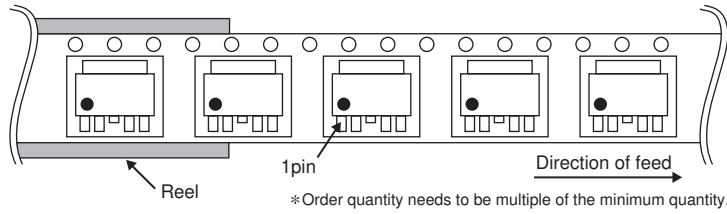
Packaging and forming specification
E2: Embossed tape and reel

TO252S-5



<Tape and Reel information>

Tape	Embossed carrier tape
Quantity	2000pcs
Direction of feed	E2 (The direction is the 1pin of product is at the lower left when you hold reel on the left hand and you pull out the tape on the right hand)



Notes

No copying or reproduction of this document, in part or in whole, is permitted without the consent of ROHM Co.,Ltd.

The content specified herein is subject to change for improvement without notice.

The content specified herein is for the purpose of introducing ROHM's products (hereinafter "Products"). If you wish to use any such Product, please be sure to refer to the specifications, which can be obtained from ROHM upon request.

Examples of application circuits, circuit constants and any other information contained herein illustrate the standard usage and operations of the Products. The peripheral conditions must be taken into account when designing circuits for mass production.

Great care was taken in ensuring the accuracy of the information specified in this document. However, should you incur any damage arising from any inaccuracy or misprint of such information, ROHM shall bear no responsibility for such damage.

The technical information specified herein is intended only to show the typical functions of and examples of application circuits for the Products. ROHM does not grant you, explicitly or implicitly, any license to use or exercise intellectual property or other rights held by ROHM and other parties. ROHM shall bear no responsibility whatsoever for any dispute arising from the use of such technical information.

The Products specified in this document are intended to be used with general-use electronic equipment or devices (such as audio visual equipment, office-automation equipment, communication devices, electronic appliances and amusement devices).

The Products specified in this document are not designed to be radiation tolerant.

While ROHM always makes efforts to enhance the quality and reliability of its Products, a Product may fail or malfunction for a variety of reasons.

Please be sure to implement in your equipment using the Products safety measures to guard against the possibility of physical injury, fire or any other damage caused in the event of the failure of any Product, such as derating, redundancy, fire control and fail-safe designs. ROHM shall bear no responsibility whatsoever for your use of any Product outside of the prescribed scope or not in accordance with the instruction manual.

The Products are not designed or manufactured to be used with any equipment, device or system which requires an extremely high level of reliability the failure or malfunction of which may result in a direct threat to human life or create a risk of human injury (such as a medical instrument, transportation equipment, aerospace machinery, nuclear-reactor controller, fuel-controller or other safety device). ROHM shall bear no responsibility in any way for use of any of the Products for the above special purposes. If a Product is intended to be used for any such special purpose, please contact a ROHM sales representative before purchasing.

If you intend to export or ship overseas any Product or technology specified herein that may be controlled under the Foreign Exchange and the Foreign Trade Law, you will be required to obtain a license or permit under the Law.



Thank you for your accessing to ROHM product informations.
More detail product informations and catalogs are available, please contact us.

ROHM Customer Support System

<http://www.rohm.com/contact/>