



Chipsmall Limited consists of a professional team with an average of over 10 year of expertise in the distribution of electronic components. Based in Hongkong, we have already established firm and mutual-benefit business relationships with customers from,Europe,America and south Asia,supplying obsolete and hard-to-find components to meet their specific needs.

With the principle of “Quality Parts,Customers Priority,Honest Operation,and Considerate Service”,our business mainly focus on the distribution of electronic components. Line cards we deal with include Microchip,ALPS,ROHM,Xilinx,Pulse,ON,Everlight and Freescale. Main products comprise IC,Modules,Potentiometer,IC Socket,Relay,Connector.Our parts cover such applications as commercial,industrial, and automotives areas.

We are looking forward to setting up business relationship with you and hope to provide you with the best service and solution. Let us make a better world for our industry!



Contact us

Tel: +86-755-8981 8866 Fax: +86-755-8427 6832

Email & Skype: info@chipsmall.com Web: www.chipsmall.com

Address: A1208, Overseas Decoration Building, #122 Zhenhua RD., Futian, Shenzhen, China



Large Current External FET Controller Type Switching Regulators



Single-output Step-up, Negative Voltage, Step-down Switching Regulators (Controller type)

BD9300F/BD9300FV

● Description

The BD9300F/FV 1-channel DC/DC Step-up, step-down, and inverting converter controller.

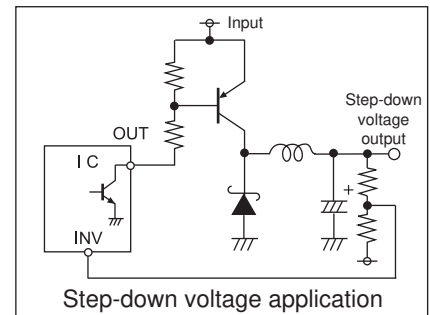
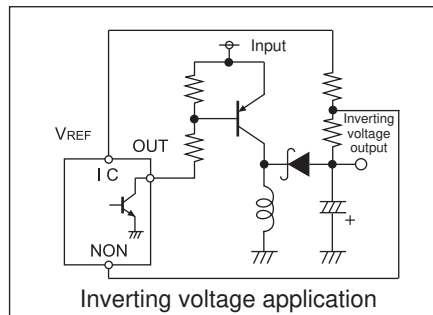
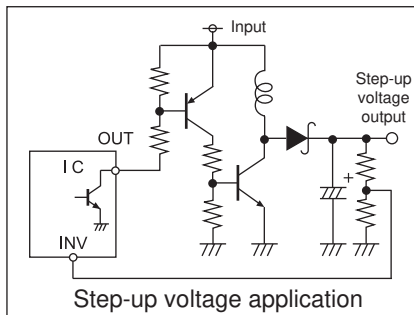
This IC has a wide input voltage range of 3.6 to 35 V, providing for a variety of applications. The pin assignment is similar to that of the BA9700, facilitating a space-saving application.

● Features

- 1) 1-channel PWM control DC/DC converter controller
- 2) High voltage input of 3.6 to 35 V
- 3) Reference voltage accuracy of $\pm 1\%$
- 4) Oscillation frequency variable in the range of 20 to 800 kHz
- 5) Built-in UVLO (Under Voltage Lock Out) circuit and SCP (Short Circuit Prevention) circuit
- 6) Current in standby mode: 0 μA (typ.)
- 7) Switching external synchronization available (Slave operation)
- 8) SSOP-B14 Package (for BD9300FV) or SOP14 Package (for BD9300F)

● Applications

- TV, power supply for liquid crystal display TV, and backlight
- DSC, DVD, printer, DVD/DVD recorder, and other consumer products



● Absolute maximum ratings(Ta=25°C)

Item	Symbol	Rating	Unit
Power supply voltage	Vcc	36	V
Power dissipation	Pd	400 *	mW
Operating temperature	Topr	-40 to +85	°C
Storage temperature	Tstg	-55 to +125	°C
Output current	Io	100 **	mA
Output voltage	Vo	36	V
Maximum junction temperature	Tjmax	125	°C

* Reduce by 4 mW/°C over 25°C, when mounted on a glass epoxy PCB of 70mmX70mmX1.6mm)

** Should not exceed Pd-value.

● Recommended operating range (Ta=25°C)

Item	Symbol	Limits			Unit
		Min	Typ	Max	
Power supply voltage	Vcc	3.6	12	35	V
Output sink current	Io	-	-	30	mA
Output voltage	Vo	-	-	35	V
Timing capacitance	CT	33	-	1000	pF
Timing resistance	RT	5	-	100	kΩ
Oscillation frequency	Fosc	20	-	800	kHz

● Electrical characteristics (Unless otherwise specified, Ta=25°C, Vcc=12V, CT=200pF, RT=20kΩ)

Item	Symbol	Limits			Unit	Conditions
		Min	Typ	Max		
[Reference voltage block]						
Reference voltage	VREF	2.475	2.500	2.525	V	IREF=1mA
Input stability	VDLI	-	1.5	20	mV	Vcc=3.6 to 35V IREF=1mA
Load stability	VULD	-	0.5	20	mV	IREF=0 ~ 1mA
1/2 reference voltage	1/2VREF	1.212	1.25	1.288	V	
[Triangular wave oscillator block]						
Oscillation frequency	FOSC	165	220	275	kHz	
Charge mode threshold voltage	VOSC+	-	1.95	-	V	
Discharge mode threshold voltage	VOSC-	-	1.45	-	V	
Frequency variation	FDVO	-	1	-	%	Vcc=3.6 to 35V
[Protection circuit block]						
Threshold voltage	VIT	1.5	1.8	2.1	V	
Charge current	Iscp	-	7	11	μA	
[Rest period adjustment circuit block]						
Upper limit threshold voltage	VtH	2.05	-	-	V	Duty Cycle=0%
Lower limit threshold voltage	VtL	-	-	1.35	V	Duty Cycle=100%
Input bias current	Ibd	-	0.1	1	μA	DTC=1.5V
Latch mode charge current	Idtc	200	500	-	μA	DTC=0V
[Under voltage lock out block]						
Threshold voltage	VUT	-	2.8	-	V	

○ Not designed to be radiation-resistant.

● Electrical characteristics (Unless otherwise specified, $T_a=25^\circ\text{C}$, $V_{cc}=12\text{ V}$, $C_T=200\text{pF}$, $R_T=20\text{ k}\Omega$)

Item	Symbol	Limits			Unit	Conditions
		Min	Typ	Max		
[Error amplifier block]						
Input bias current	I_{IB}	–	0.1	1	μA	
Open loop gain	A_V	–	85	–	dB	Null AMP
Maximum output voltage	V_{OH}	2.3	2.5	–	V	
Minimum output voltage	V_{OL}	–	0.7	0.9	V	
Output sink current	I_{OI}	0.1	1	–	mA	$V_{FB}=1.25\text{V}$
Output source current	I_{OO}	40	70	–	μA	$V_{FB}=1.25\text{V}$
[Output block]						
Saturation voltage	V_{SAT}	–	1.0	1.4	V	$I_o=30\text{mA}$
Leak current	I_{LEAK}	–	–	10	μA	$OUT=35\text{V}$
[Control block]						
CTL ON voltage	V_{ON}	2	–	–	V	
CTL OFF voltage	V_{OFF}	–	–	0.7	V	
CTL sink current	I_{CTL}	–	57	90	μA	$V_{CTL}=5\text{V}$
[Whole device]						
Standby current	I_{STB}	–	0	10	μA	$V_{CTL}=0\text{V}$
Average supply current	I_{CC}	–	1.2	2.4	mA	$R_T=V_{REF}$

○ Not designed to be radiation-resistant.

● Measurement circuit diagram

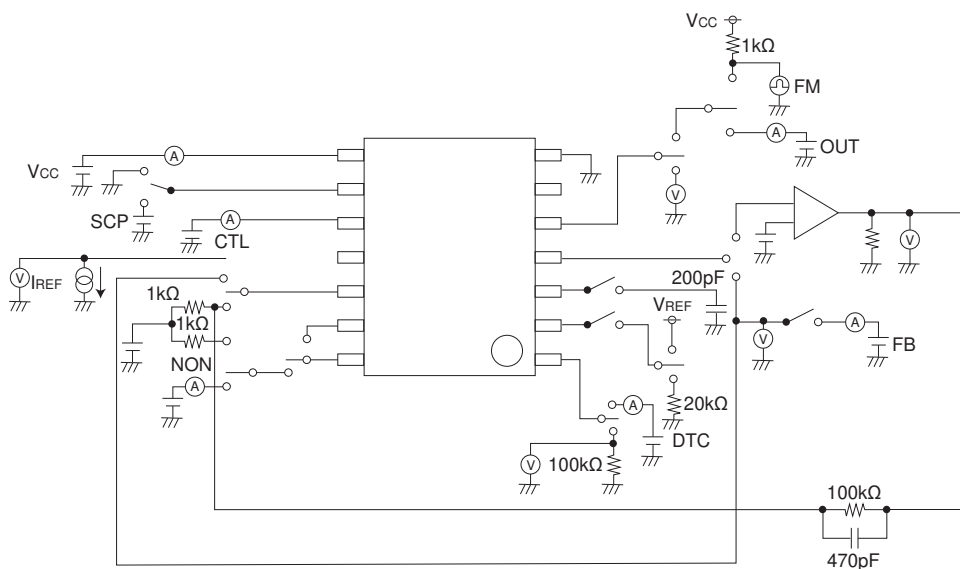


Fig. 1 Typical measurement circuit

● Reference characteristics data (Unless otherwise specified, $T_a=25^\circ\text{C}$)

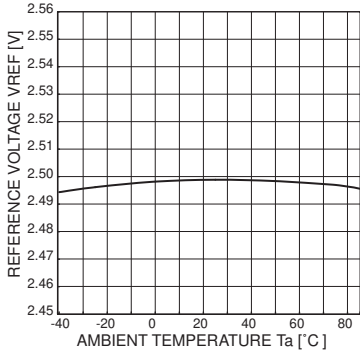


Fig.2 Reference voltage vs. Ambient temperature

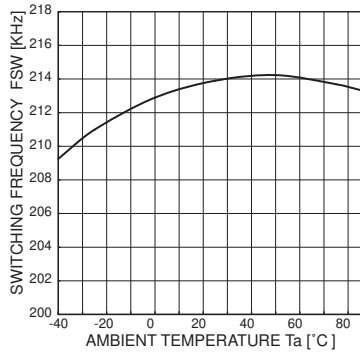


Fig.3 Switching frequency vs. Ambient temperature

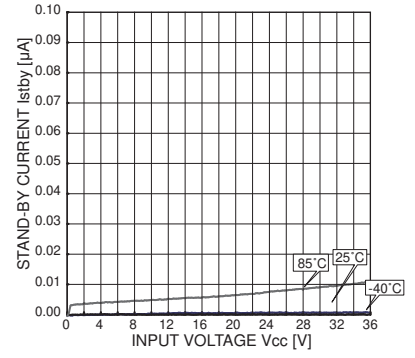


Fig.4 Standby current

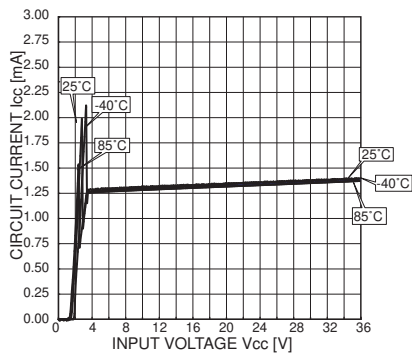


Fig.5 Circuit current

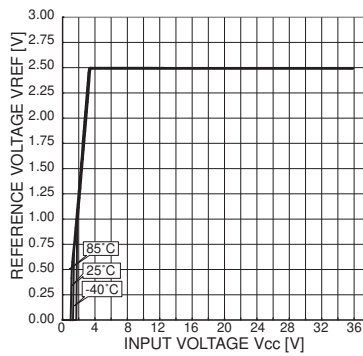


Fig.6 Reference voltage

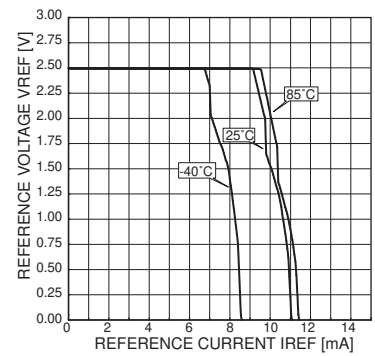


Fig.7 Reference voltage vs. Output current

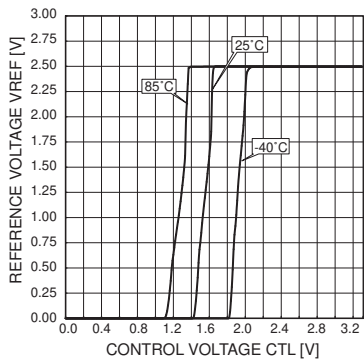


Fig.8 Control threshold voltage

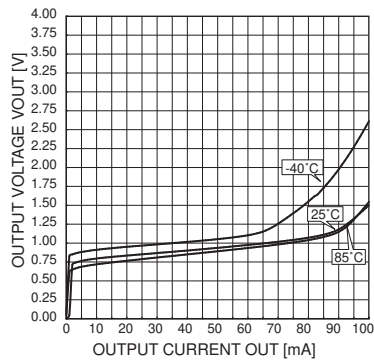


Fig.9 Output current capacitance

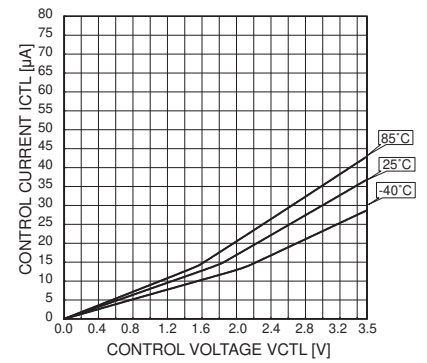
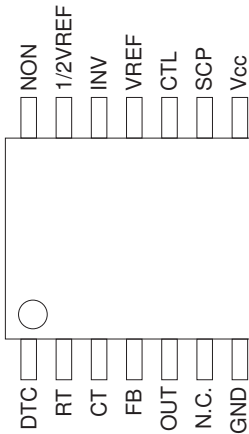


Fig.10 Control sink current

● Pin assignment



● Block diagram

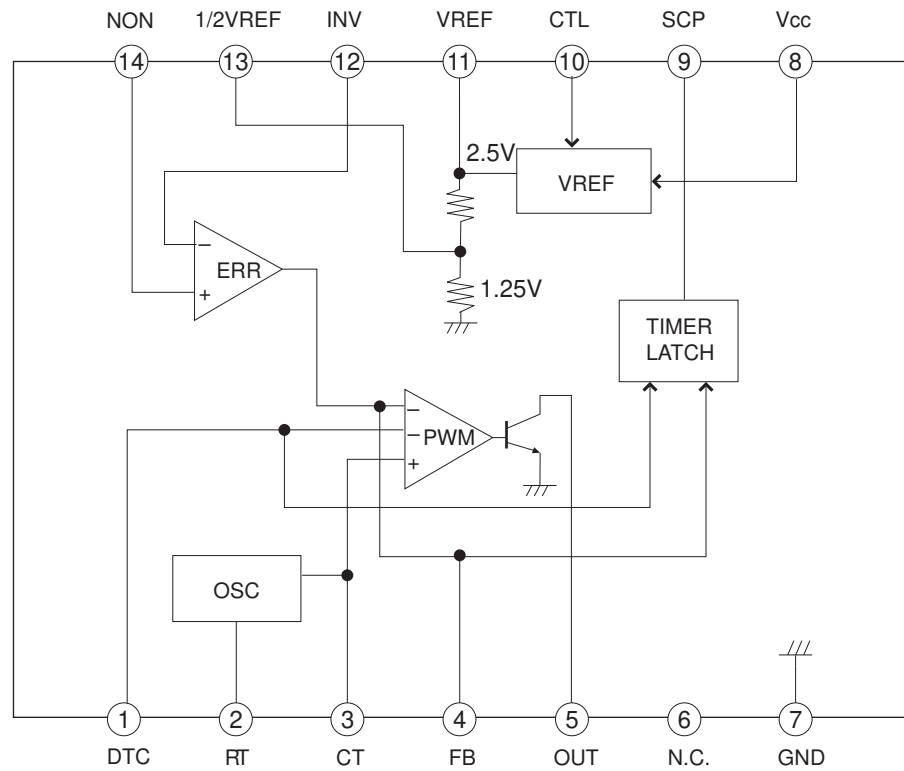


Fig. 11 Pin assignment / Block diagram

● Pin assignment and function

Pin No.	Pin name	Function
1	DTC	Rest period setting voltage input
2	RT	External timing resistance
3	CT	External timing capacitance
4	FB	Error amplifier output
5	OUT	PWM output (open collector)
6	N.C.	–
7	GND	Ground
8	Vcc	Power supply
9	SCP	External timer latch setting capacitance (Ground if not used)
10	CTL	Control input
11	VREF	Reference voltage output
12	INV	Inverting input for error amplifier
13	1/2VREF	1/2 reference voltage output
14	NON	Non-inverting input for error amplifier

● Timing chart

· Basic operation

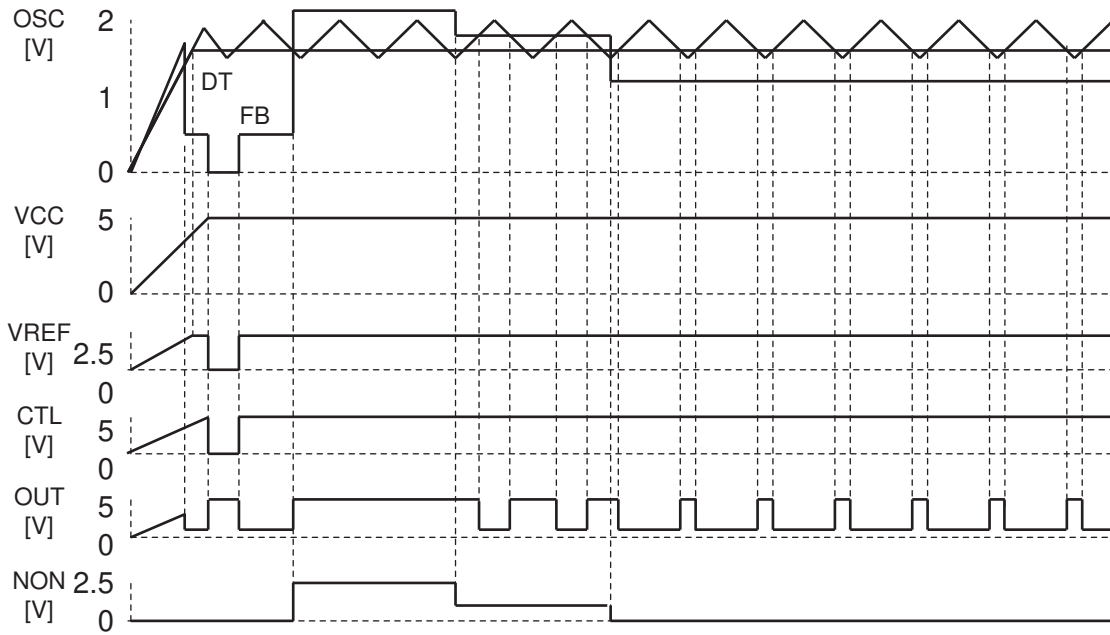


Fig. 13 Basic operation

· When the short circuit protection is activated

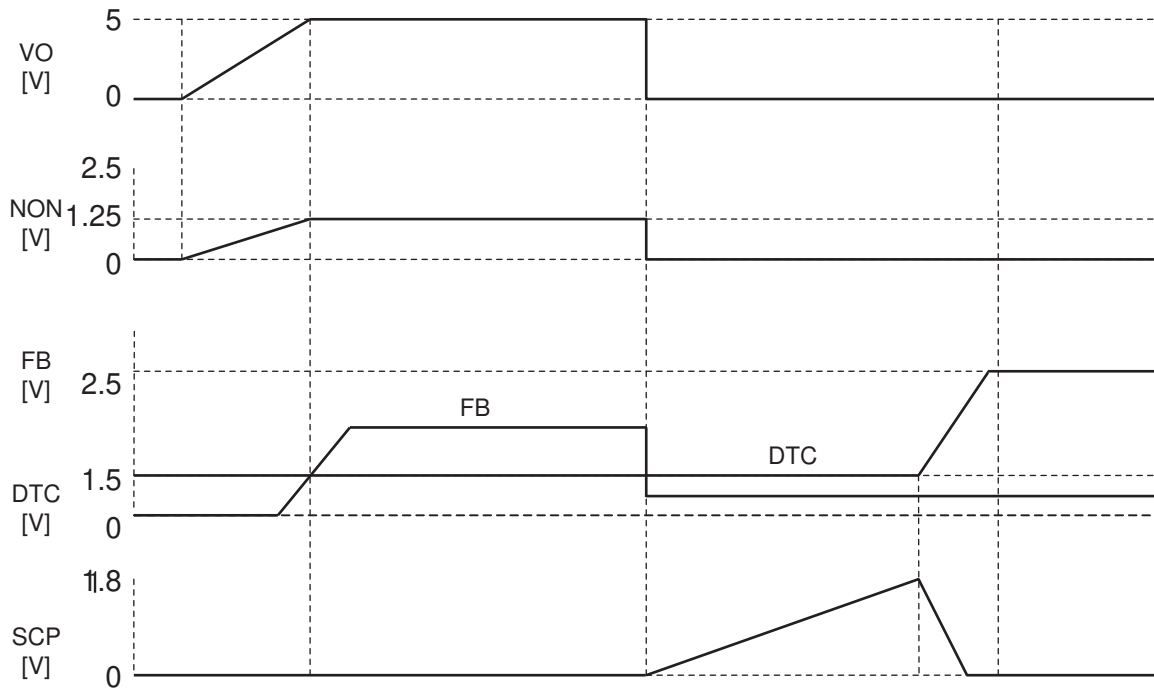


Fig. 14 Timing when the short circuit protection is activated

● External component setting procedure

(1) Design of feedback resistance constant

Set step-down, step-up, and inverting feedback resistance as shown below. Set resistance in the range of 1 kΩ to 330 kΩ. Setting the resistance to 1 kΩ or less will result in degraded power efficiency, while setting it to 330 kΩ or more will increase the offset voltage due to the input bias current of 0.1 μA (TYP) of the error amplifier.

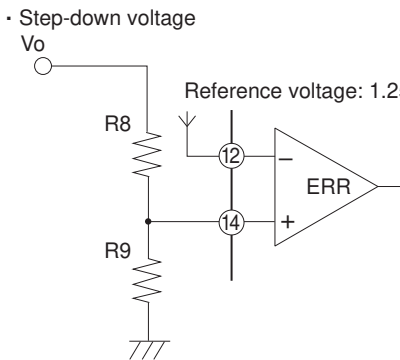


Fig. 15 Step-down voltage

$$V_o = \frac{R8+R9}{R9} \times 1.25 \text{ [V]}$$

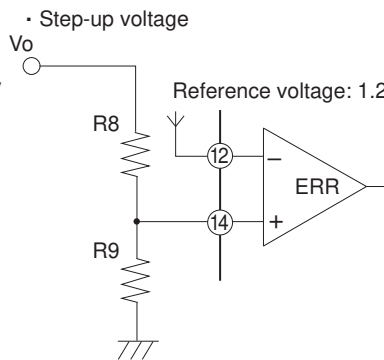


Fig.16 Step-up voltage

$$V_o = \frac{R8+R9}{R9} \times 1.25 \text{ [V]}$$

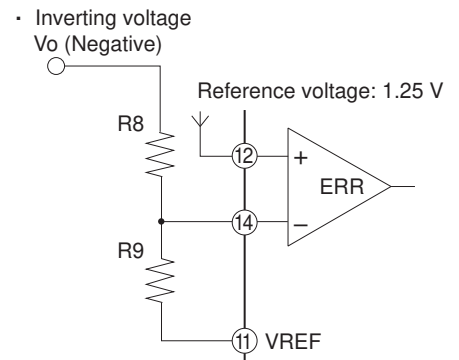


Fig. 17 Inverting voltage

$$V_o = 1.25 \left(1 - \frac{R8}{R9} \right) \text{ [V]}$$

(2) Setting of oscillation frequency

Connecting a resistor and capacitor to the RT pin (pin 2) and the CT pin (pin 3) will set the triangular wave oscillation frequency. The RT determines the charge/discharge current to the capacitor. Referring to Fig. 18, set RT resistor and the CT capacitor. Recommended setting ranges are 5 to 100 kΩ for the CT resistor, 33 to 1000 pF for the CT capacitor, and 20 kHz to 800 kHz for the oscillation frequency. Any setting outside of these ranges may turn OFF switching, thus impairing the operation guarantee.

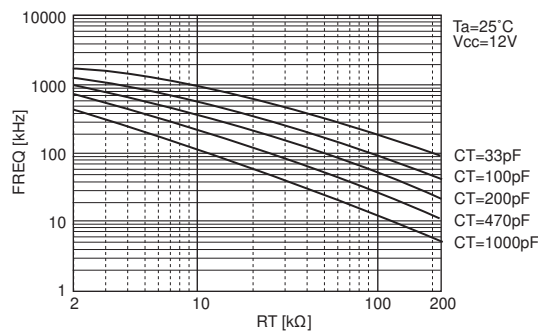


Fig. 18 RT/CT vs. Frequency

(3) Setting of DTC voltage

Applying the VDTC voltage to the DTC pin (pin 1) will fix the maximum duty ratio. This will serve to prevent the power transistor (FET) from being FULL ON. Fig. 19 shows the relationship between the DTC voltage and the maximum duty ratio. Referring to this Figure, set the DTC voltage. Next, generate the VDTC by dividing the VREF voltage with resistance and then input the VDTC in the DTC pin.

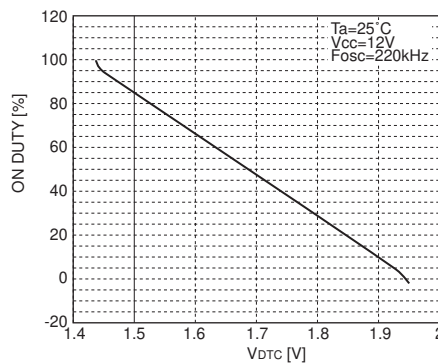


Fig. 19 DTC voltage vs. Maximum duty

Furthermore, the maximum duty ratio should be designed so as not to become a maximum duty for the normal use. The following section shows ranges for the normal use.

• Step-down voltage

$$ONDutyMAX = \frac{VOMAX}{VCCMIN}$$

• Step-up voltage

$$ONDutyMAX = \frac{VOMAX - VOMIN}{VOMAX}$$

• Inverting voltage

$$ONDutyMAX = \frac{VOMAX}{VOMAX - VCCMIN}$$

(4) Setting of soft start time

Adding a capacitor to the DTC resistance divider will enable the soft start function activation.

The soft start function will be required to prevent an excessive increase in the coil current and overshoot of the output voltage, while in startup operation. Fig. 20 shows the relationship between the capacitor and the soft start time. Referring to this Figure, set the capacitor. It is recommended to set the capacitance value in the range of 0.01 to 10 μF . Setting the capacitance value to 0.01 μF or less, may cause overshoot to the output voltage, while setting it to 10 μF or more may cause an inverse current in the internal parasitic diode when the power supply is grounded, thus resulting in damage to the internal element.

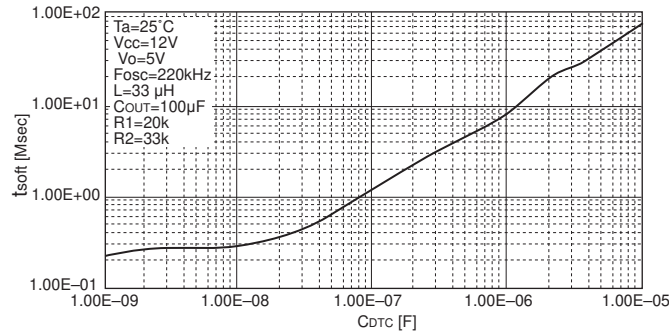


Fig. 20 Soft start capacitance vs. Delay time

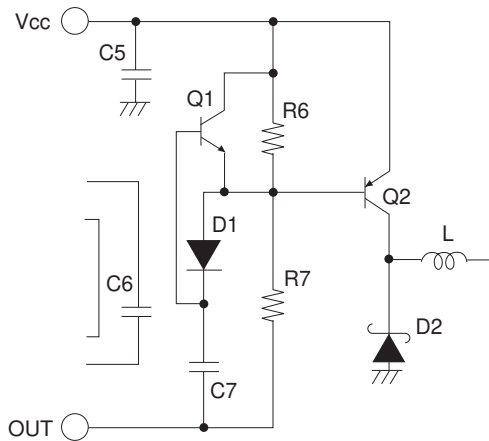


Fig. 21 ON/OFF peak circuit

Since the PNP Tr is generally slow in switching, in terms of the sat characteristics, the ON/OFF peak circuit is used as an acceleration circuit. The D1 and the C7 generate an ON peak current, while the Q1 and the C7 forms an OFF peak circuit. Set pull-up resistance to 510 Ω as a guide at VCC=12 V. It is recommended to set this resistance in the range of 100 k Ω to 10 k Ω . In order to make adjustment of the R6 and R7, however, pay attention of the points listed in table below.

NO.	Item	To reduce R6	To reduce R7
1	Efficiency	Degraded	Degraded
2	Tr Turn ON / Turn OFF	Faster Turn OFF	Faster Turn OFF
3	Switching frequency	Increasable	Increasable
4	Load current capacitance	Degraded	Degraded

Take 1000 pF as a guide for the C7 setting. If the ON/OFF peak currents are inadequate, increase the C7 capacitance value. It is recommended to set capacitance values in the range of 100 pF to 10000 pF. Setting the capacitance value to 10000 pF or more may increase the peak current and degrade the power efficiency.

(6) Phase compensation

Phase compensation setting procedure

The phase compensation setting procedure varies with the selection of output capacitors used for DC/DC converter application. In this connection, the following section describes the procedure by classifying into the two types. Furthermore, the application stability conditions are described in the Description section.

1. Application stability conditions
2. For output capacitors having high ESR, such as electrolytic capacitor
3. For output capacitors having low ESR, such as ceramic capacitor or OS-CON

1. Application stability conditions

The following section shows the stability conditions of negative feedback system.

- DSC, DVD, printer, DVD/DVD recorder, and other consumer products At a 1 (0-dB) gain, the phase delay is 150° or less (i.e., the phase margin is 30° or more).

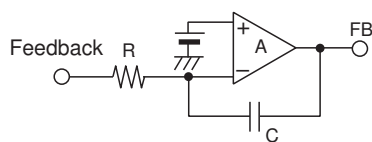
Furthermore, since the DC/DC converter application is sampled according to the switching frequency, GBW of the overall system should be set to 1/10 or less of the switching frequency. The following section summarizes the targeted characteristics of this application.

- DSC, DVD, printer, DVD/DVD recorder, and other consumer products At a 1 (0-dB) gain, the phase delay is 150° or less (i.e., the phase margin is 30° or more).
- DSC, DVD, printer, DVD/DVD recorder, and other consumer products The GBW (i.e., frequency at 0-dB gain) for this occasion is 1/10 or less of the switching frequency.

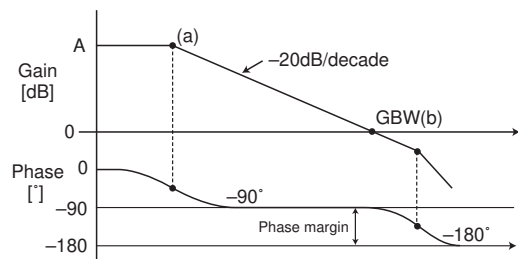
In other words, the responsiveness is determined with restrictions on the GBW. Consequently, in order to upgrade the responsiveness, higher switching frequency should be provided.

In order to ensure the stability through the phase compensation, a secondary phase delay (-180°) resulting from LC resonance should be canceled with a secondary phase lead (i.e., through inserting two phase leads). Furthermore, the GBW (i.e., frequency at 1-dB gain) is determined according to phase compensation capacitance to be provided for the error amplifier. Consequently, in order to reduce the GBW, increase the capacitance value.

(1) Typical (sun) integrator (Low pass filter)



(2) Open loop characteristics of (mon) integrator



(a) point $f_a = \frac{1}{2\pi R C A}$ [Hz]

(b) point $f_b = GBW = \frac{1}{2\pi R C}$ [Hz]

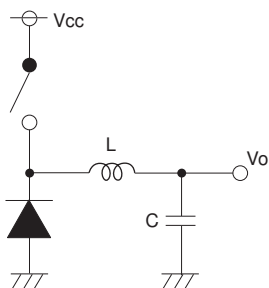
Fig. 22 Typical integrator characteristics

Since the error amplifier is provided with (sun) or (mon) phase compensation, the low pass filter is applied. In the case of the DC/DC converter application, the R becomes a parallel resistance of the feedback resistance.

2. For output capacitors having high ESR, such as aluminum electrolytic capacitor

For output capacitors having high ESR (i.e., several ohms), the phase compensation setting procedure becomes comparatively simple. Since the DC/DC converter application has a LC resonant circuit attached to the output, a -180° phase-delay occurs in that area. If ESR component is present there, however, a $+90^\circ$ phase-lead occurs to shift the phase delay to -90° . Since the phase delay is desired to set within 150° , this is a very effective method but has a demerit to increase the ripple component of the output voltage.

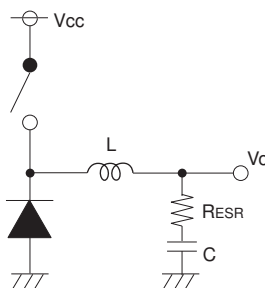
(3) LC resonant circuit



$$f_z = \frac{1}{2\pi\sqrt{LC}} \text{ [Hz]}$$

At this resonance point, a -180° phase-delay occurs.

(4) With ESR provided



$$f_z = \frac{1}{2\pi\sqrt{LC}} \text{ [Hz]} : \text{Resonance point}$$

$$f_{ESR} = \frac{1}{2\pi \text{RESR}C} \text{ [Hz]} : \text{Phase lead}$$

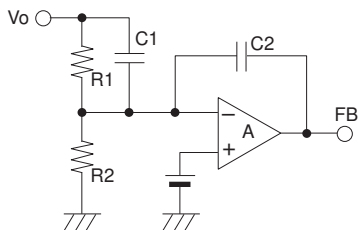
A -90° phase-delay occurs.

* Same for the phase compensation of inverting and step-up voltages

Fig. 23 DC/DC converter output application

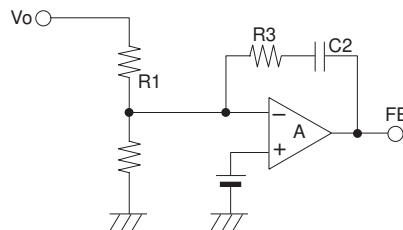
According to changes in phase characteristics due to the ESR, only one phase lead should be inserted. For this phase lead, select either of the methods shown below:

(5) Insert feedback resistance in the C.



$$\text{Phase lead: } f_z = \frac{1}{2\pi C_1 R_1} \text{ [Hz]}$$

(6) Insert the R3 in integrator.



$$\text{Phase lead: } f_z = \frac{1}{2\pi C_2 R_3} \text{ [Hz]}$$

Fig. 24 Typical phase compensation circuit

To cancel the LC resonance, phase lead frequency should be set close to the LC resonant frequency.

3. For output capacitors having low ESR, such as a ceramic capacitor or OS-CON

In order to use capacitors having low ESR (i.e., several tens of mW), two phase-leads should be inserted so that a -180° phase-delay, due to LC resonance, will be compensated. The following section shows a typical phase compensation procedure.

· Phase compensation with secondary phase lead

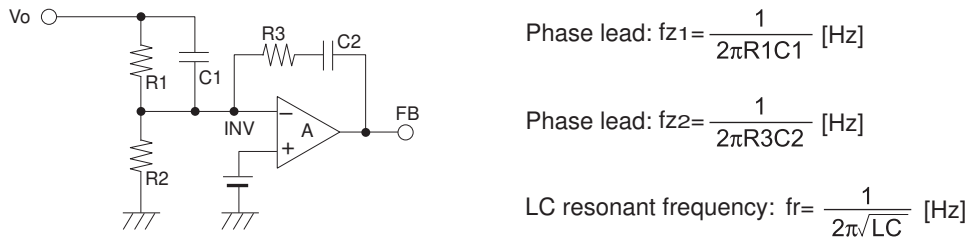


Fig. 25 Typical circuit after secondary compensation circuit

For the settings of phase lead frequency, insert both of the phase leads close to the LC resonant frequency.

Phase compensation on the BD9300F/FV

For BD9300F/FV, since the error amplifier input is inverted to the normal input, the phase compensation procedure is slightly different. (The BD9300F/FV returns feedback to the NON pin.)

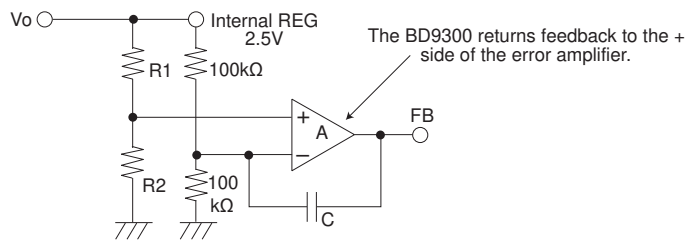


Fig. 26 Typical circuit after phase compensation on BD9300F/FV

The BD9300F/FV feeds back on the + side input and returns the phase compensation on the - side input. Consequently, resistance of the resistance divider being used to determine the reference voltage has influence on the frequency characteristics. (The BD9300F/FV has a 1/2 VREF pin to divide resistance by 100 kΩ.)

The following section shows the phase characteristics.

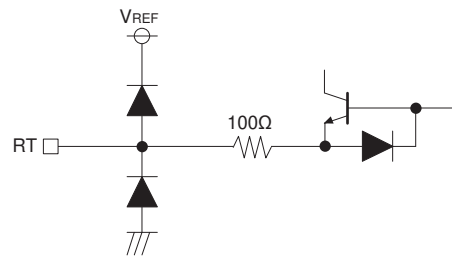
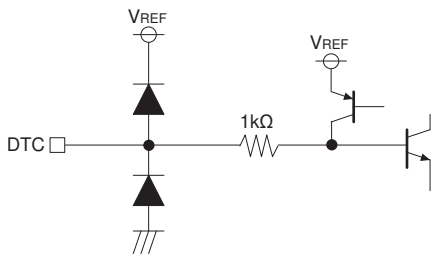
$$\text{Primary phase delay: } fp = \frac{1}{2\pi C \frac{100k\Omega}{2} (1+A)} \text{ [Hz], where A is approximately 80 dB.}$$

$$\text{Phase lead: } fz = \frac{1}{2\pi C \frac{100k\Omega}{2}} \text{ [Hz]}$$

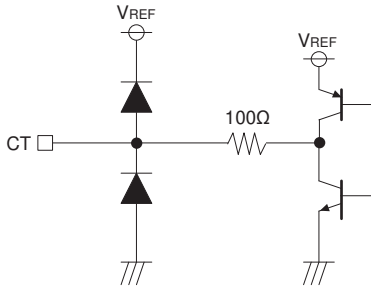
As a result, inserting a phase compensation capacitor will cause phase lead component. If any further phase lead is required, add a capacitor in parallel with the R1.

● Equivalent circuit

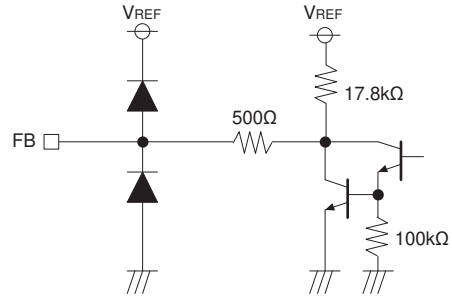
(1) DTC



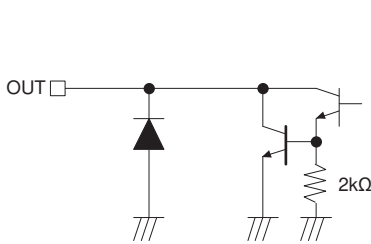
(3) CT



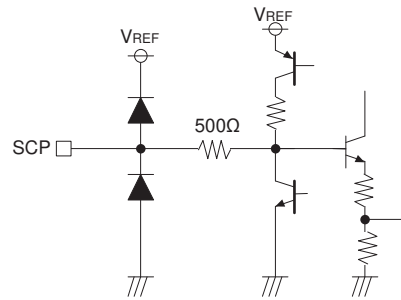
(4) FB



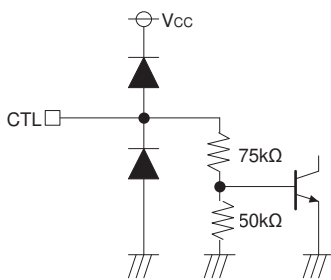
(5) OUT



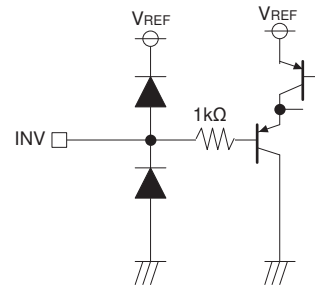
(9) SCP



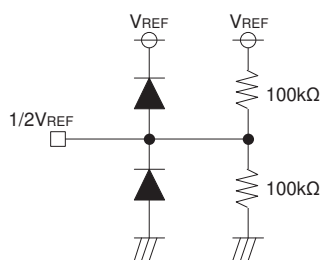
(10) CTL



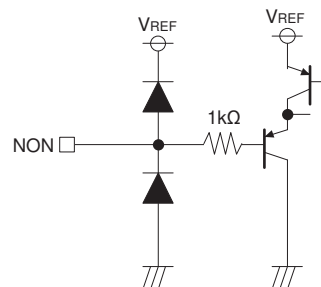
(12) INV



(13) 1/2VREF



(14) NON



● Cautions on use

1) Absolute maximum ratings

An excess in the absolute maximum ratings, such as supply voltage, temperature range of operating conditions, etc., can break down the devices, thus making impossible to identify breaking mode, such as a short circuit or an open circuit. If any over rated values will expect to exceed the absolute maximum ratings, consider adding circuit protection devices, such as fuses.

2) GND potential

Ground-GND potential should maintain at the minimum ground voltage level. Furthermore, no terminals should be lower than the GND potential voltage including an electric transients.

3) Thermal design

Use a thermal design that allows for a sufficient margin in light of the power dissipation (P_d) in actual operating conditions.

4) Inter-pin shorts and mounting errors

Use caution when positioning the IC for mounting on printed circuit boards. The IC may be damaged if there is any connection error or if positive and ground power supply terminals are reversed. The IC may also be damaged if pins are shorted together or are shorted to other circuit's power lines.

5) Operation in strong electromagnetic field

Use caution when using the IC in the presence of a strong electromagnetic field as doing so may cause the IC to malfunction.

6) Testing on application boards

When testing the IC on an application board, connecting a capacitor to a pin with low impedance subjects the IC to stress. Always discharge capacitors after each process or step. Always turn the IC's power supply off before connecting it to, or removing it from a jig or fixture, during the inspection process. Ground the IC during assembly steps as an antistatic measure. Use similar precaution when transporting and storing the IC.

7) IC pin input

This monolithic IC contains P+ isolation and P substrate layers between adjacent elements to keep them isolated. PñN junctions are formed at the intersection of these P layers with the N layers of other elements, creating a parasitic diode or transistor. For example, the relation between each potential is as follows:

○ When $GND > Pin A$ and $GND > Pin B$, the PñN junction operates as a parasitic diode.

○ When $Pin B > GND > Pin A$, the PñN junction operates as a parasitic transistor^r.

Parasitic diodes can occur inevitably in the structure of the IC. The operation of parasitic diodes can result in mutual interference among circuits, operational faults, or physical damage. Accordingly, methods by which parasitic diodes operate, such as applying a voltage that is lower than the GND (P substrate) voltage to an input pin, should not be used.

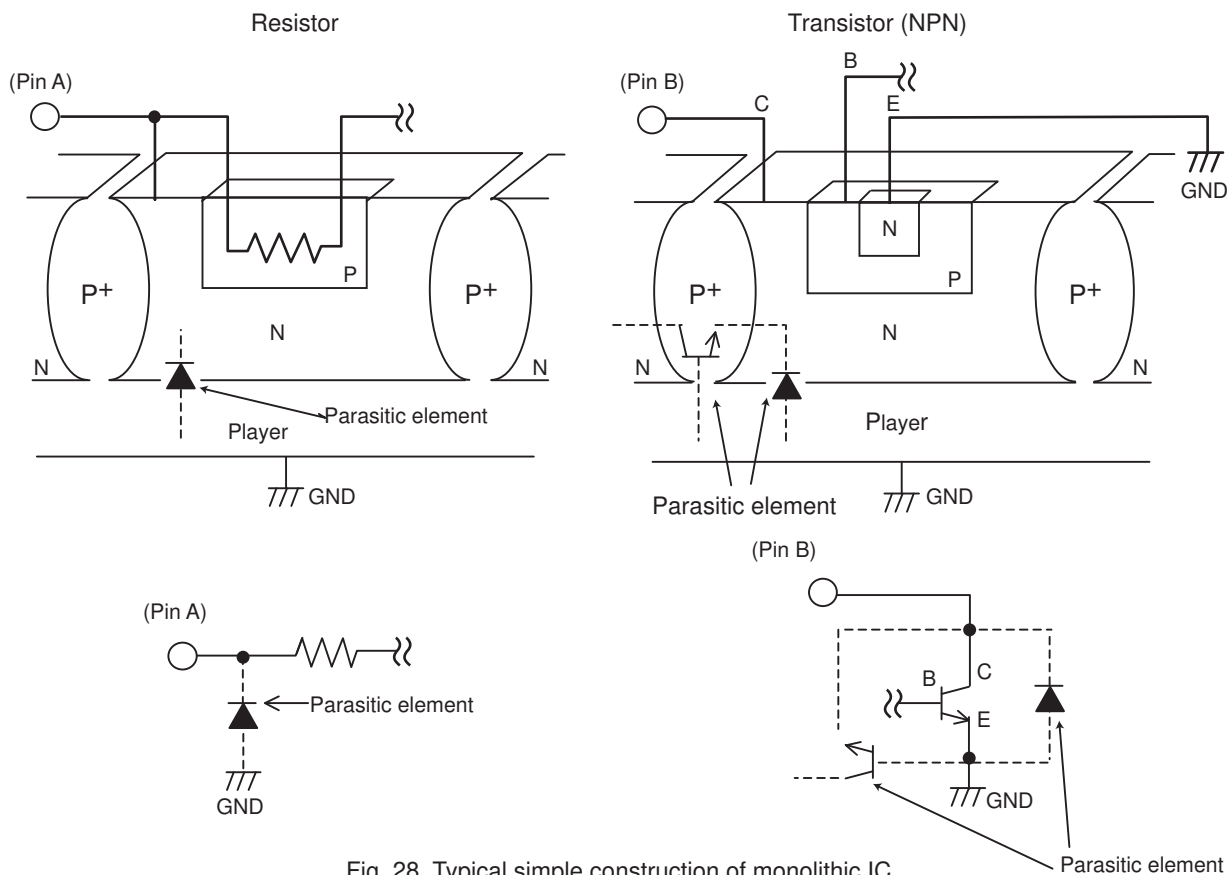


Fig. 28 Typical simple construction of monolithic IC

8) Ground wiring pattern

The power supply and ground lines must be as short and thick as possible to reduce line impedance. Fluctuating voltage on the power ground line may damage the device.

● Derating curve

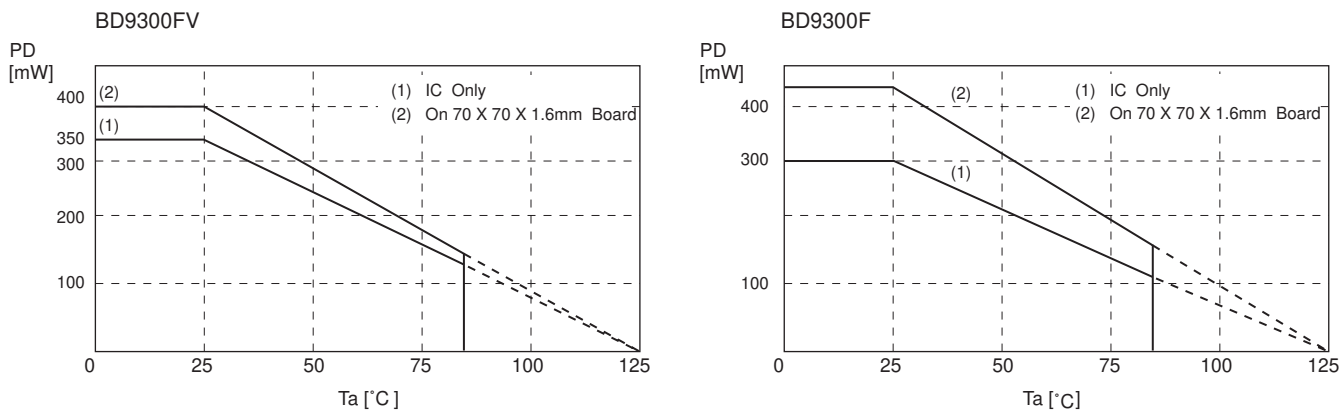
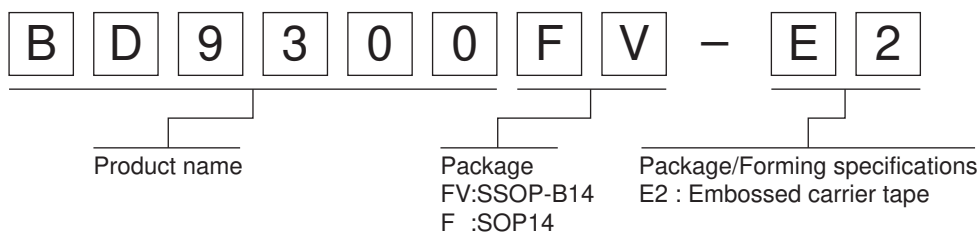


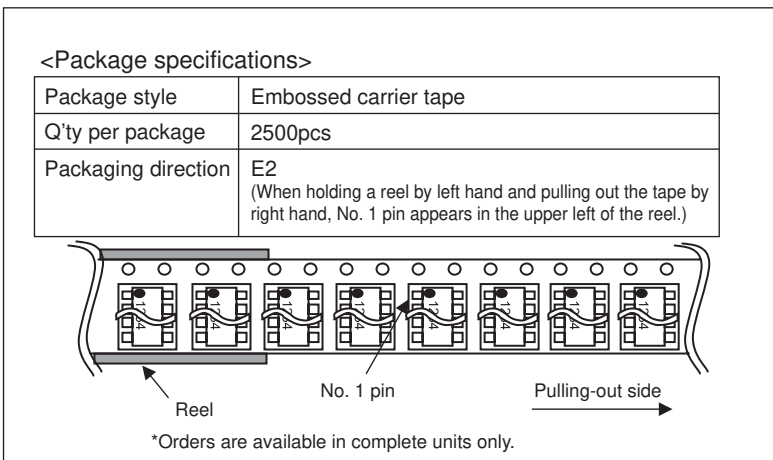
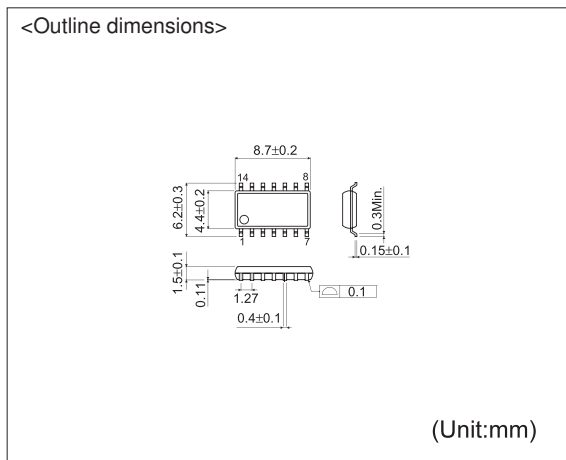
Fig. 29 Thermal derating characteristics

● Selection of order type

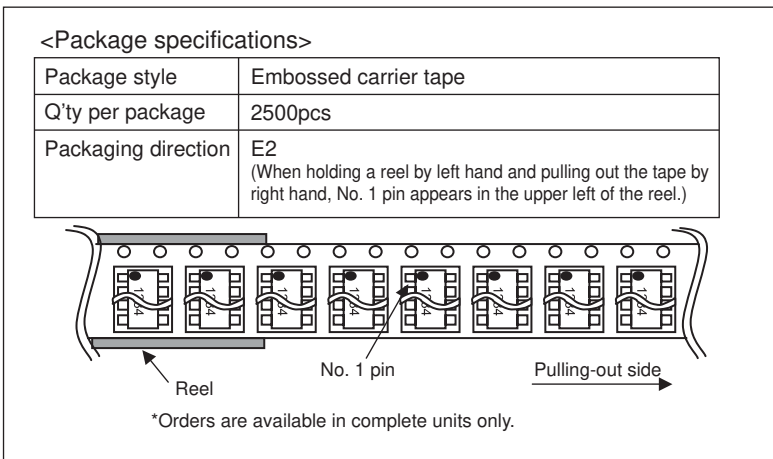
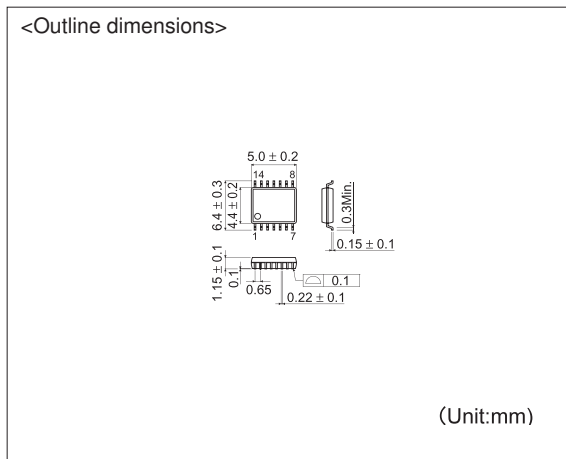


● Package specifications

SOP14



SSOP-B14



- The contents described herein are correct as of September, 2008
- The contents described herein are subject to change without notice. For updates of the latest information, please contact and confirm with ROHM CO.,LTD.
- Any part of this application note must not be duplicated or copied without our permission.
- Application circuit diagrams and circuit constants contained herein are shown as examples of standard use and operation. Please pay careful attention to the peripheral conditions when designing circuits and deciding upon circuit constants in the set.
- Any data, including, but not limited to application circuit diagrams and information, described herein are intended only as illustrations of such devices and not as the specifications for such devices. ROHM CO.,LTD. disclaims any warranty that any use of such devices shall be free from infringement of any third party's intellectual property rights or other proprietary rights, and further, assumes no liability of whatsoever nature in the event of any such infringement, or arising from or connected with or related to the use of such devices.
- Upon the sale of any such devices, other than for buyer's right to use such devices itself, resell or otherwise dispose of the same, implied right or license to practice or commercially exploit any intellectual property rights or other proprietary rights owned or controlled by ROHM CO., LTD. is granted to any such buyer.
- The products described herein utilize silicon as the main material.
- The products described herein are not designed to be X ray proof.

The products listed in this catalog are designed to be used with ordinary electronic equipment or devices (such as audio visual equipment, office-automation equipment, communications devices, electrical appliances and electronic toys). Should you intend to use these products with equipment or devices which require an extremely high level of reliability and the malfunction of which would directly endanger human life (such as medical instruments, transportation equipment, aerospace machinery, nuclear-reactor controllers, fuel controllers and other safety devices), please be sure to consult with our sales representative in advance.

Contact us for further information about the products.

San Diego	TEL: +1-858-625-3630	FAX: +1-858-625-3670	Tianjin	TEL: +86-22-23029181	FAX: +86-22-23029183
Atlanta	TEL: +1-770-754-5972	FAX: +1-770-754-0691	Shanghai	TEL: +86-21-6279-2727	FAX: +86-21-6247-2066
Boston	TEL: +1-978-371-0382	FAX: +1-928-438-7164	Hangzhou	TEL: +86-571-87658072	FAX: +86-571-87658071
Chicago	TEL: +1-847-368-1006	FAX: +1-847-368-1008	Nanjing	TEL: +86-25-8689-0015	FAX: +86-25-8689-0393
Dallas	TEL: +1-469-287-5366	FAX: +1-469-362-7973	Ningbo	TEL: +86-574-87654201	FAX: +86-574-87654208
Denver	TEL: +1-303-708-0908	FAX: +1-303-708-0858	Qingdao	TEL: +86-532-5779-312	FAX: +86-532-5779-653
Detroit	TEL: +1-248-348-9920	FAX: +1-248-348-9942	Suzhou	TEL: +86-512-6807-1300	FAX: +86-512-6807-2300
Nashville	TEL: +1-615-620-6700	FAX: +1-615-620-6702	Wuxi	TEL: +86-510-82702693	FAX: +86-510-82702992
Mexico	TEL: +52-33-3123-2001	FAX: +52-33-3123-2002	Shenzhen	TEL: +86-755-8307-3008	FAX: +86-755-8307-3003
Düsseldorf	TEL: +49-2154-9210	FAX: +49-2154-921400	Dongguan	TEL: +86-769-8393-3320	FAX: +86-769-8398-4140
Munich	TEL: +49-8999-216168	FAX: +49-8999-216176	Fuzhou	TEL: +86-591-8801-8698	FAX: +86-591-8801-8690
Stuttgart	TEL: +49-711-7272-370	FAX: +49-711-7272-3720	Guangzhou	TEL: +86-20-3878-8100	FAX: +86-20-3825-5965
France	TEL: +33-1-5697-3060	FAX: +33-1-5697-3080	Huizhou	TEL: +86-752-205-1054	FAX: +86-752-205-1059
United Kingdom	TEL: +44-1-908-306700	FAX: +44-1-908-235788	Xiamen	TEL: +86-592-238-5705	FAX: +86-592-239-8380
Denmark	TEL: +45-3694-4739	FAX: +45-3694-4789	Zhuhai	TEL: +86-756-3232-480	FAX: +86-756-3232-460
Espoo	TEL: +358-9725-54491	FAX: +358-9-7255-4499	Hong Kong	TEL: +852-2-740-6262	FAX: +852-2-375-8971
Salo	TEL: +358-2-7332234	FAX: +358-2-7332237	Taipei	TEL: +886-2-2500-6956	FAX: +886-2-2503-2869
Oulu	TEL: +358-9-5372930	FAX: +358-8-5372931	Kaohsiung	TEL: +886-7-237-0881	FAX: +886-7-238-7332
Barcelona	TEL: +34-9375-24320	FAX: +34-9375-24410	Singapore	TEL: +65-6332-2322	FAX: +65-6332-5662
Hungary	TEL: +36-1-4719338	FAX: +36-1-4719339	Philippines	TEL: +63-2-807-6872	FAX: +63-2-809-1422
Poland	TEL: +48-22-5757213	FAX: +48-22-5757001	Thailand	TEL: +66-2-254-4890	FAX: +66-2-256-6334
Russia	TEL: +7-495-739-41-74	FAX: +7-495-739-41-74	Kuala Lumpur	TEL: +60-3-7958-8355	FAX: +60-3-7958-8377
Seoul	TEL: +82-2-8182-700	FAX: +82-2-8182-715	Penang	TEL: +60-4-2286453	FAX: +60-4-2286452
Masan	TEL: +82-55-240-6234	FAX: +82-55-240-6236	Kyoto	TEL: +81-75-365-1218	FAX: +81-75-365-1228
Dalian	TEL: +86-411-8230-8549	FAX: +86-411-8230-8537	Yokohama	TEL: +81-45-476-2290	FAX: +81-45-476-2295
Beijing	TEL: +86-10-8525-2483	FAX: +86-10-8525-2489			

Excellence in Electronics

ROHM

ROHM CO., LTD.

21 Saiin Mizosaki-cho, Ukyo-ku, Kyoto
615-8585, Japan
TEL: +81-75-311-2121 FAX: +81-75-315-0172
URL <http://www.rohm.com>

Published by
KTC LSI Development Headquarters
LSI Business Promotion Group

Notes

No copying or reproduction of this document, in part or in whole, is permitted without the consent of ROHM CO.,LTD.

The content specified herein is subject to change for improvement without notice.

The content specified herein is for the purpose of introducing ROHM's products (hereinafter "Products"). If you wish to use any such Product, please be sure to refer to the specifications, which can be obtained from ROHM upon request.

Examples of application circuits, circuit constants and any other information contained herein illustrate the standard usage and operations of the Products. The peripheral conditions must be taken into account when designing circuits for mass production.

Great care was taken in ensuring the accuracy of the information specified in this document. However, should you incur any damage arising from any inaccuracy or misprint of such information, ROHM shall bear no responsibility for such damage.

The technical information specified herein is intended only to show the typical functions of and examples of application circuits for the Products. ROHM does not grant you, explicitly or implicitly, any license to use or exercise intellectual property or other rights held by ROHM and other parties. ROHM shall bear no responsibility whatsoever for any dispute arising from the use of such technical information.

The Products specified in this document are intended to be used with general-use electronic equipment or devices (such as audio visual equipment, office-automation equipment, communication devices, electronic appliances and amusement devices).

The Products are not designed to be radiation tolerant.

While ROHM always makes efforts to enhance the quality and reliability of its Products, a Product may fail or malfunction for a variety of reasons.

Please be sure to implement in your equipment using the Products safety measures to guard against the possibility of physical injury, fire or any other damage caused in the event of the failure of any Product, such as derating, redundancy, fire control and fail-safe designs. ROHM shall bear no responsibility whatsoever for your use of any Product outside of the prescribed scope or not in accordance with the instruction manual.

The Products are not designed or manufactured to be used with any equipment, device or system which requires an extremely high level of reliability the failure or malfunction of which may result in a direct threat to human life or create a risk of human injury (such as a medical instrument, transportation equipment, aerospace machinery, nuclear-reactor controller, fuel-controller or other safety device). ROHM shall bear no responsibility in any way for use of any of the Products for the above special purposes. If a Product is intended to be used for any such special purpose, please contact a ROHM sales representative before purchasing.

If you intend to export or ship overseas any Product or technology specified herein that may be controlled under the Foreign Exchange and the Foreign Trade Law, you will be required to obtain a license or permit under the Law.

Thank you for your accessing to ROHM product informations.

More detail product informations and catalogs are available, please contact your nearest sales office.

ROHM Customer Support System

THE AMERICAS / EUROPE / ASIA / JAPAN

www.rohm.com

Contact us : webmaster@rohm.co.jp