



Chipsmall Limited consists of a professional team with an average of over 10 year of expertise in the distribution of electronic components. Based in Hongkong, we have already established firm and mutual-benefit business relationships with customers from,Europe,America and south Asia,supplying obsolete and hard-to-find components to meet their specific needs.

With the principle of “Quality Parts,Customers Priority,Honest Operation,and Considerate Service”,our business mainly focus on the distribution of electronic components. Line cards we deal with include Microchip,ALPS,ROHM,Xilinx,Pulse,ON,Everlight and Freescale. Main products comprise IC,Modules,Potentiometer,IC Socket,Relay,Connector.Our parts cover such applications as commercial,industrial, and automotives areas.

We are looking forward to setting up business relationship with you and hope to provide you with the best service and solution. Let us make a better world for our industry!



Contact us

Tel: +86-755-8981 8866 Fax: +86-755-8427 6832

Email & Skype: info@chipsmall.com Web: www.chipsmall.com

Address: A1208, Overseas Decoration Building, #122 Zhenhua RD., Futian, Shenzhen, China



STRUCTURE : SILICON MONOLITHIC INTEGRATED CIRCUIT
 FUNCTION : EARTH LEAKAGE CURRENT DETECTOR
 PRODUCT : BD9582F/N(SOP/SIP)
 FEATURES : •SOP8/SIP8 Package
 •Good temperature characteristics of input sensitivity current
 •Wide operating temperature range(Ta=-20~95°C)

○ABSOLUTE MAXIMUM RATINGS(Ta=25[°C])

Parameter	Symbol	Rating	Unit	Condition
Supply current (*3)	I _s	8	mA	
VR-IN current	I _{VR-IN}	±250	mA	Between IN-VR
VR pin current	I _{VR}	30	mA	Between VR-GND
IN terminal current	I _{IN}	30	mA	Between IN-GND
SC terminal current	I _{SC}	5	mA	
SC/OD/NR/OS terminal voltage	V _{OD/SC/NR/OS}	8	V	
Power dissipation	P _d	0.68 (SOP8 *1) 1.12 (SIP8 *2)	W	
Storage temperature	T _{stg}	-55~150	°C	

•This IC is not designed for protection against radioactive rays.

(*1) To use at temperature above Ta=25[°C] reduce 5.5[mW]/[°C]. Mounted on a glass epoxy PCB (70[mm] × 70[mm] × 1.6[mm])

(*2) To use at temperature above Ta=25[°C] reduce 9.0[mW]/[°C]. Pd is a value in the package unit.

(*3) The power-supply voltage is limited by the internal clamping circuit.

○RECOMMENDED OPERATING CONDITIONS

Parameter	Symbol	Limit			Unit
		Min.	Typ.	Max.	
Supply voltage	V _s	12	-	22	V
Operating temperature	T _{opr}	-20~95			°C
External capacitor between Vs and GND	C _{VS}	1	-	-	μF
External capacitor between Os and GND	C _{OS}	-	-	1	μF

Status of this document

The Japanese version of this document is the formal specification.

A customer may use this translation version only for a reference to help reading the formal version.

If there are any differences in translation version of this document formal version takes priority.

Application example

•ROHM cannot provide adequate confirmation of patents.

•The product described in this specification is designed to be used with ordinary electronic equipment or devices (such as audio-visual equipment, office-automation equipment, communications devices, electrical appliances, and electronic toys).

Should you intend to use this product with equipment or devices which require an extremely high level of reliability and the malfunction of which would directly endanger human life (such as medical instruments, transportation equipment, aerospace machinery, nuclear-reactor controllers, fuel controllers and other safety devices), please be sure to consult with our sales representative in advance.

•ROHM assumes no responsibility for use of any circuits described herein, conveys no license under any patent or other right, and makes no representations that the circuits are free from patent infringement.

•If change is made to the constant of an external circuit, allow a sufficient margin due to variations of the characteristics of the products and external components, including transient characteristics, as well as static characteristics.

•The application examples, their constants, and other types of information contained herein are applicable only when the products are used in accordance with standard methods. Therefore, if mass production is intended, sufficient consideration to external conditions must be made.

DESIGN <i>Koyuki T</i>	CHECK <i>[Signature]</i>	APPROVAL <i>[Signature]</i>	DATE : Dec./8/2009	SPECIFICATION No. : TSZ02201-BD9582F/N-1-2
			REV. A	ROHM Co., Ltd.

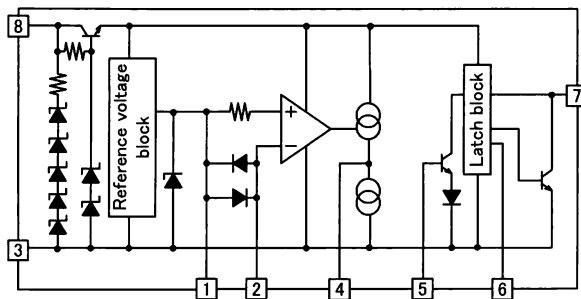
○ELECTRICAL CHARACTERISTICS(unless otherwise specified, $V_S=12V, GND=0V, T_a=25^\circ C$)

Parameter	Symbol	Condition	Temp	Limit			Unit	Test circuit
				Min.	Typ.	Max.		
Supply current	I_{S1}	$V_R-V_I=30mV$	-20	-	-	520	μA	1
			25	-	330	500		
			95	-	-	460		
Trip voltage	V_T	$V_T=V_R-V_I$	-20~+95	4.92 (3.48)	7.50 (5.30)	11.06 (7.82)	mV (mVrms)	2
OD source current	I_{ODS0}	$V_R-V_I=30mV, V_{OD}=1.2V$	25	-27.2	-20.6	-14.0	μA	3
OD sink current	I_{ODS1}	$V_{OD}=0.8V, V_R-V_I=0mV$	25	16.7	26.0	35.3	μA	4
OS source current	I_{OSS0}	$V_{SC}=2.0V, V_{OS}=0.8V$	-20	-200	-	-	μA	5
			25	-100	-	-		
			95	-75	-	-		
OS sink current	I_{OSS1}	$V_{SC}=0.2V, V_{OS}=0.2V$	-20~+95	200	-	-	μA	5
Sc ON voltage	V_{SCON}		25	1.00	1.24	1.48	V	6
Input clamp voltage	V_{IC}	$I_{IC}=20mA$	-20~+95	4.3	5.5	6.7	V	7
Differential input clamp voltage	V_{IDC}	$I_{IDC}=100mA$	-20~+95	0.6	1.0	1.4	V	8
Maximum current voltage	V_{SM}	$I_{SM}=7mA$	25	26	29	32	V	9
Supply current2 (*1)	I_{OS2}	$V_R-V_I=30mV, V_{SC}=2V, I_S=900\mu A$	-20~+95	-100	-	-	μA	10
Latch circuit is off-state supply voltage	V_{SOFF}		25	2.7	3.7	4.7	V	11
Operating time (*2)	t_{ON}	$V_R-V_I=0.3V$	25	1.8	2.9	4.0	ms	12

(*1) Supply current2 means the output current value that can be secured when the decided power supply current ($I_S=900\mu A$) is given.

(*2) Operating time means the time applying fixed input to reaching to 0.8V by the output voltage in 0.047 μF between O_D (O_S) and GND.

○BLOCK DIAGRAM



○PIN DESCRIPTION

No.	Symbol	Function
1	V_R	+ Input terminal
2	IN	- Input terminal
3	GND	Substrate ground
4	O_D	Differential amplifier Output terminal
5	S_C	Input terminal of latch circuit
6	N_R	Terminal for noise absorption
7	O_S	Output terminal
8	V_S	Power supply terminal

OPHYSICAL DIMENSION

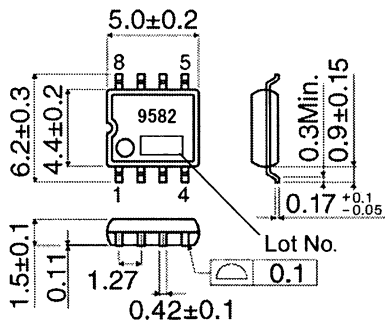


Fig. 1 SOP8

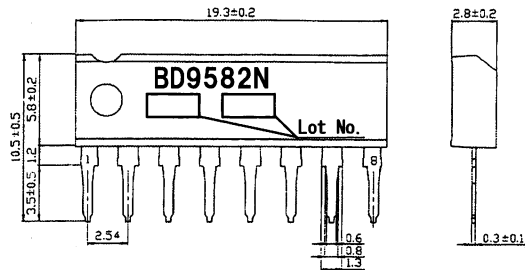
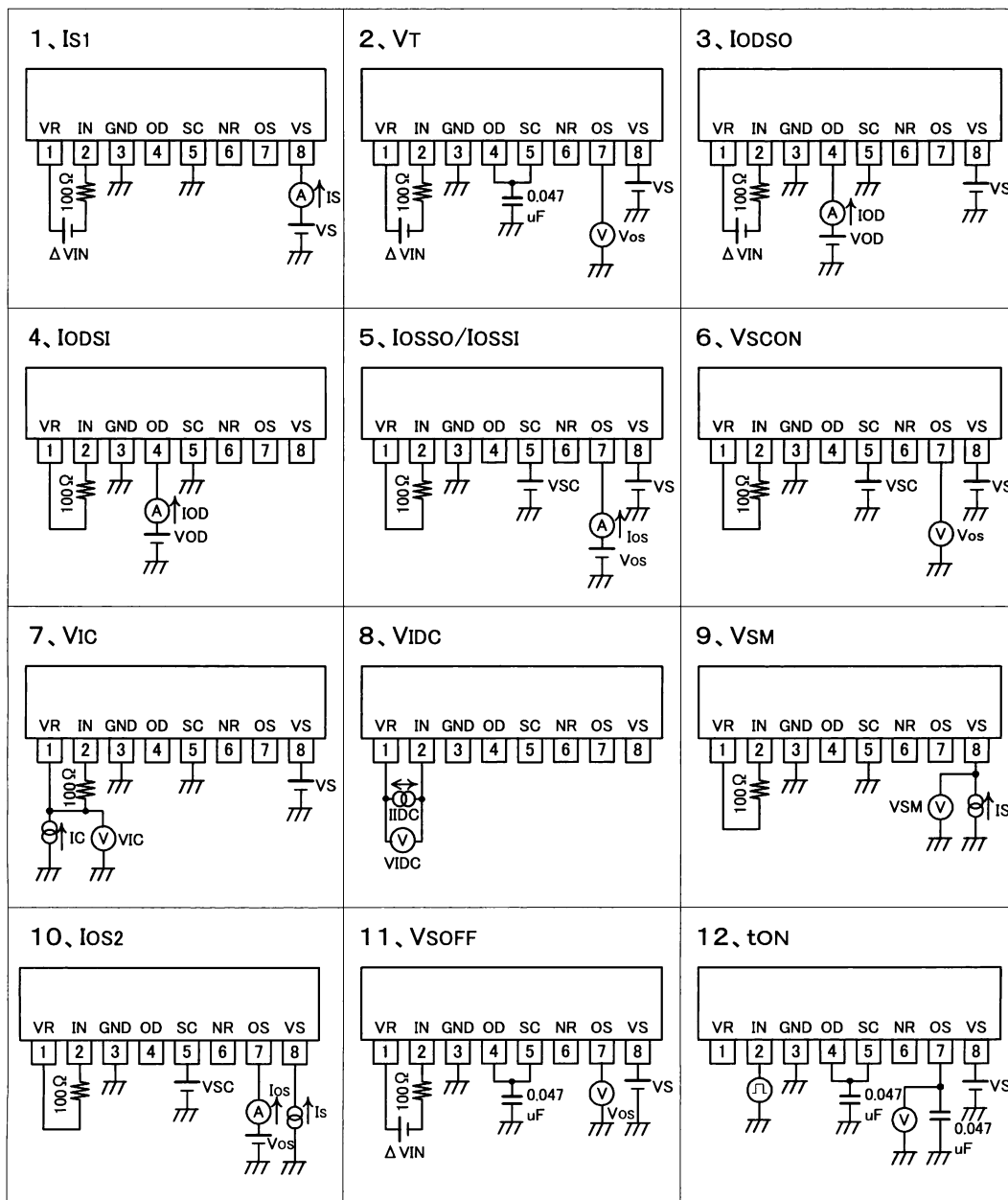


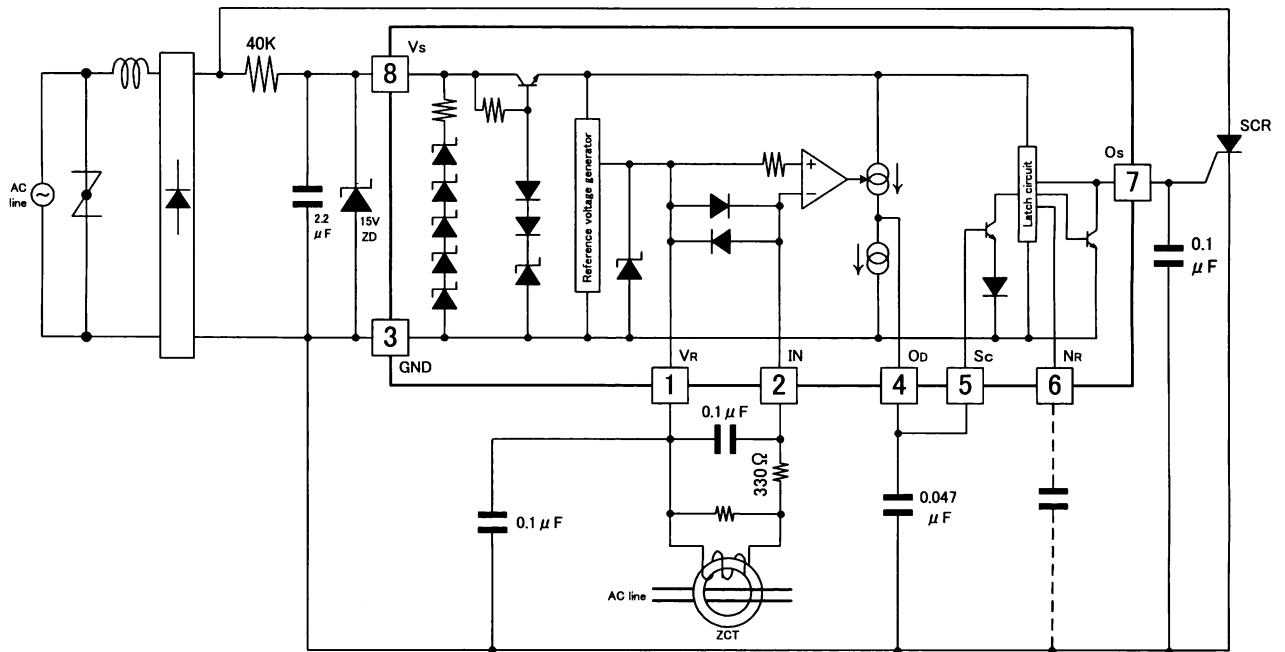
Fig. 2 SIP8

(UNIT: [mm])

OTEST CIRCUIT



○APPLICATION EXAMPLE



○NOTICE

①Absolute maximum ratings

Absolute maximum ratings are the values which indicate the limits, within which the given voltage range can be safely charged to the terminal. However, it does not guarantee the circuit operation.

②Power dissipation(Pd)

If the IC is used under excessive power dissipation. An increase in the chip temperature will cause deterioration of the radical characteristics of IC. For example, reduction of current capability. Take consideration of the effective power dissipation and thermal design with a sufficient margin. Pd is reference to the provided power dissipation curve.

③Using under strong electromagnetic field

Be careful when using the IC under strong electromagnetic field because it may malfunction.

④Usage of IC

When stress is applied to the IC through warp of the printed circuit board, The characteristics may fluctuate due to the piezo effect. Be careful of the warp of the printed circuit board.

⑤Testing IC on the set board

When testing IC on the set board, in cases where the capacitor is connected to the low impedance, make sure to discharge per fabrication because there is a possibility that IC may be damaged by stress.

When removing IC from the set board, it is essential to cut supply voltage.

As a countermeasure against the static electricity, observe proper grounding during fabrication process and take due care when carrying and storage it.

⑥Power supply terminal and Output terminal

The power supply terminal and the output terminal are the next.

There is a possibility to destruction when this terminal is short-circuited.