



Chipsmall Limited consists of a professional team with an average of over 10 year of expertise in the distribution of electronic components. Based in Hongkong, we have already established firm and mutual-benefit business relationships with customers from,Europe,America and south Asia,supplying obsolete and hard-to-find components to meet their specific needs.

With the principle of “Quality Parts,Customers Priority,Honest Operation,and Considerate Service”,our business mainly focus on the distribution of electronic components. Line cards we deal with include Microchip,ALPS,ROHM,Xilinx,Pulse,ON,Everlight and Freescale. Main products comprise IC,Modules,Potentiometer,IC Socket,Relay,Connector.Our parts cover such applications as commercial,industrial, and automotives areas.

We are looking forward to setting up business relationship with you and hope to provide you with the best service and solution. Let us make a better world for our industry!



Contact us

Tel: +86-755-8981 8866 Fax: +86-755-8427 6832

Email & Skype: info@chipsmall.com Web: www.chipsmall.com

Address: A1208, Overseas Decoration Building, #122 Zhenhua RD., Futian, Shenzhen, China



STRUCTURE Silicon Monolithic Integrated Circuit

NAME OF PRODUCT DC-AC Inverter Control IC

TYPE **BD9883AF, BD9883FV**

FUNCTION • 36V High voltage process
 • 1ch control with Half-bridge
 • Lamp current and voltage sense feed back control
 • Sequencing easily achieved with Soft Start Control
 • Short circuit protection with Timer Latch
 • Under Voltage Lock Out
 • Mode-selectable the operating or stand-by mode by stand-by pin

○Absolute Maximum Ratings (Ta = 25°C)

Parameter	Symbol	Limits	Unit
Supply Voltage	Vcc	30	V
BST	BST	40	V
BST-ST Voltage Difference	BST-SW	15	V
Operating Temperature Range	Topr	-40~+85	°C
Storage Temperature Range	Tstg	-55~+150	°C
Power Dissipation	Pd	550*1 (BD9883AF)	mW
		650*2 (BD9883FV)	
Maximum Junction Temperature	Tjmax	+150	°C

*1Pd derated at 4.4mW/°C for temperature above Ta = 25°C (When mounted on a PCB 70.0mm×70.0mm×1.6mm)

*2Pd derated at 5.2mW/°C for temperature above Ta = 25°C (When mounted on a PCB 70.0mm×70.0mm×1.6mm)

○Recommended operating condition

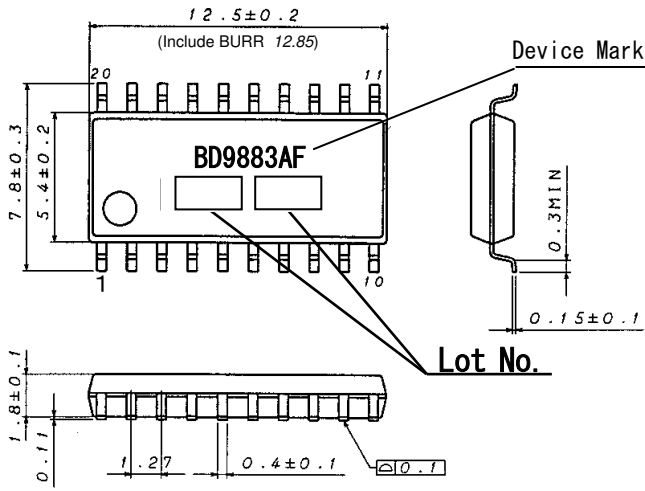
Parameter	Symbol	Limits	Unit
Supply voltage	Vcc	6.0~22.0	V
CT oscillation frequency	f _{CT}	20~150	kHz
BST voltage	BST	4.0~34.0	V
BST-SW voltage difference	BST-SW	4.0~12.0	V
BCT oscillation frequency	f _{BCT}	0.10~0.50	kHz

○Electric Characteristics (Ta=25°C, VCC=12V)

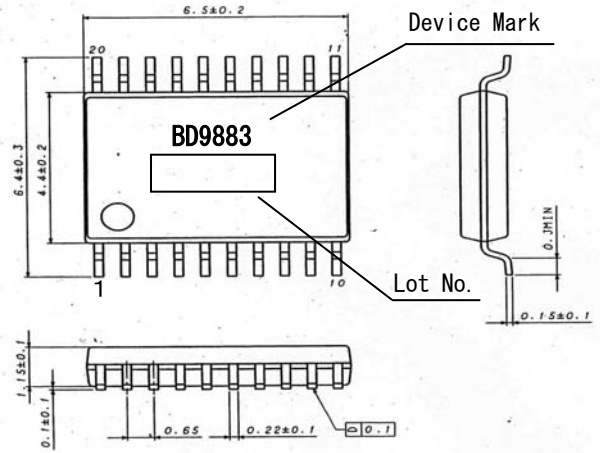
Parameter	Symbol	Limits			Unit	Conditions
		MIN.	TYP.	MAX.		
((WHOLE DEVICE))						
Operating current	Icc1	—	9.0	17.0	mA	fCT=100kHz
Stand-by current	Icc2	—	5.0	10.0	μA	
((STAND BY CONTROL))						
Stand-by voltage H	VstH	1.7	—	VCC	V	System ○ N
Stand-by voltage L	VstL	-0.3	—	0.7	V	System ○ F F
Stand-by hysteresis	ΔVst	0.05	0.20	0.35	V	
((UVLO BLOCK))						
Operating voltage	VuvloH	5.15	5.40	5.65	V	
Shut down voltage	VuvloL	4.90	5.15	5.40	V	
((REG BLOCK))						
REG output voltage	VREG	5.30	5.50	5.70	V	Vcc>6.0V
REG source current	I REG	20.0	—	—	mA	
((OSC BLOCK))						
Active edge current	Iact	1.35/RT	1.5/RT	1.65/RT	A	
Negative edge current	Ineg	Iact×10	Iact×13	Iact×16	A	
OSC Max voltage	VoscH	1.8	2.0	2.2	V	fCT=50kHz, fCT=120kHz
OSC Min voltage①	VoscL1	0.2	0.4	0.6	V	fCT=50kHz
OSC Min voltage②	VoscL2	0.05	0.15	0.25	V	fCT=120kHz
Soft start current	Iss	0.50	1.00	1.50	μA	
SRT ON resistance	RSRT	—	150	300	Ω	
((BOSC BLOCK))						
BOSC Max voltage	VBCTH	1.920	2.000	2.080	V	fBCT=0.3kHz
BOSC Min Voltage	VBCTL	0.400	0.500	0.600	V	fBCT=0.3kHz
BOSC constant current	IBCT	1.35/BRT	1.5/BRT	1.65/BRT	A	VBCT=0.2V
((TIMER LATCH))						
Timer Latch voltage	Vscp	1.8	2.0	2.2	V	
Timer Latch current	Iscp	0.25	0.50	0.75	μA	
((FEED BACK BLOCK))						
IS threshold voltage	Vis	1.220	1.250	1.280	V	
VS threshold voltage	Vvs	1.220	1.250	1.280	V	
IS source current 1	Iis1	—	—	0.9	μA	DUTY=2.0V
IS source current 2	Iis2	12.0	20.0	28.0	μA	DUTY=0V, IS=0.5V
VS source current	Ivs	—	—	0.9	μA	
FB over voltage detect voltage	Vovf	2.2	2.5	2.8	V	
IS COMP detect Voltage	Visc	0.3	0.4	0.5	V	
((OUTPUT BLOCK))						
LN output sink current	RsinkLN	—	15	30	Ω	
LN output source current	RsourceLN	—	30	60	Ω	
HN output sink current	RsinkHN	—	15	30	Ω	VBST-VSW=5.0V
HN output source current	RsourceHN	—	30	60	Ω	VBST-VSW=5.0V

(This product is not designed for normal operation with in a radio active environment.)

○Package Dimensions

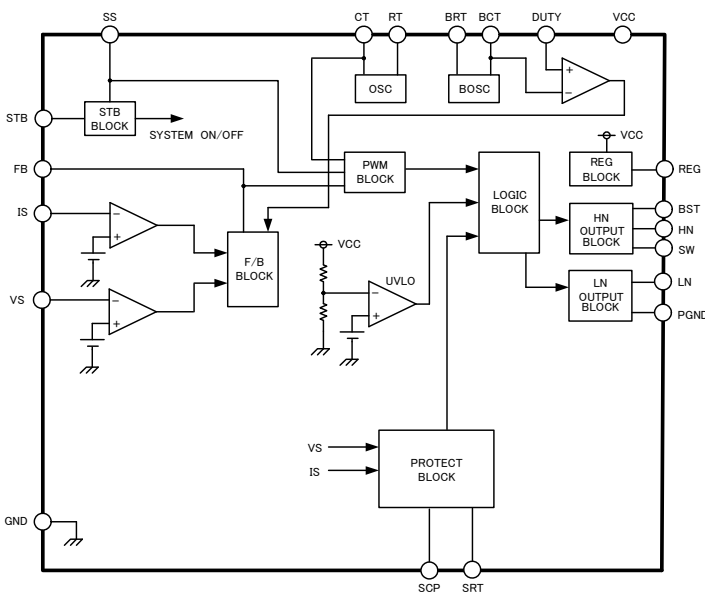


SOP20 (Unit:mm)



SSOP-B20 (Unit:mm)

○Block Diagram



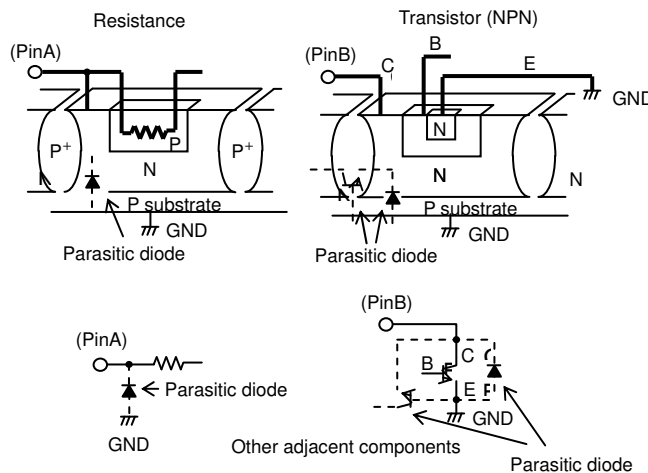
○Pin Description

Pin No.	Pin Name	Function
1	DUTY	Control PWM mode and BURST mode
2	BCT	External capacitor from BCT to GND for adjusting the BURST triangle oscillator
3	BRT	External resistor from BRT to GND for adjusting the BURST triangle oscillator
4	CT	External capacitor from CT to GND for adjusting the triangle oscillator
5	RT	External resistor from RT to GND for adjusting the triangle oscillator
6	SRT	External resistor from SRT to RT for adjusting the triangle oscillator
7	GND	GROUND
8	FB	Error amplifier output
9	IS	Error amplifier input①
10	VS	Error amplifier input②
11	STB	Stand-by switch
12	SCP	External capacitor from SCP to GND for Timer Latch
13	SS	External capacitor from SS to GND for Soft Start Control
14	PGND	Ground for FET drivers
15	LN	NMOS FET driver
16	HN	NMOS FET driver
17	SW	Low voltage for HN output
18	BST	Boot-Strap input for HN output
19	REG	Internal regulator output
20	VCC	Supply voltage input

○NOTE FOR USE

1. When designing the external circuit, including adequate margins for variation between external devices and the IC. Use adequate margins for steady state and transient characteristics.
2. Recommended Operating Range
The circuit functionality is guaranteed within of ambient temperature operation range as long as it is within recommended operating range. The standard electrical characteristic values cannot be guaranteed at other voltages in the operating ranges, however, the variation will be small.
3. Mounting Failures
Mounting failures, such as misdirection or miscounts, may harm the device.
4. Electromagnetic Fields
A strong electromagnetic field may cause the IC to malfunction.
5. The GND pin should be the location within $\pm 0.3V$ compared with the PGND pin
6. BD9883AF, BD9883FV has the short circuit protection with Thermal Shut Down System. When STB or Vcc pin re-supplied, They enables to cancel the latch. If It rise the temperature of the chip more than 170°C(TYP), It make the external FET OFF
7. Absolute maximum ratings are those values that, if exceeded, may cause the life of a device to become significantly shortened. Moreover, the exact failure mode caused by short or open is not defined. Physical countermeasures, such as a fuse, need to be considered when using a device beyond its maximum ratings.
8. About the external FET, the parasitic Capacitor may cause the gate voltage to change, when the drain voltage is switching. Make sure to leave adequate margin for this IC variation.
9. On operating Slow Start Control (SS is less than 2.2V), It does not operate Timer Latch.
10. By STB voltage, BD9883AF, BD9883FV is changed to 2 states. Therefore, do not input STB pin voltage between one state and the other state (0.7~1.7V).
11. The pin connected a connector need to connect to the resistor for electrical surge destruction.
12. This IC is a monolithic IC which (as shown is Fig-1)has P⁺ substrate and between the various pins. A P-N junction is formed from this P layer of each pin. For example, the relation between each potential is as follows.
○(When GND > PinB and GND > PinA, the P-N junction operates as a parasitic diode.)
○(When PinB > GND > PinA, the P-N junction operates as a parasitic transistor.)

Parasitic diodes can occur inevitably in the structure of the IC. The operation of parasitic diodes can result in mutual interference among circuits as well as operation faults and physical damage. Accordingly you must not use methods by which parasitic diodes operate, such as applying a voltage that is lower than the GND(P substrate)voltage to an input pin.



☒-1 Simplified structure of a Bipolar IC

Notes

No copying or reproduction of this document, in part or in whole, is permitted without the consent of ROHM Co.,Ltd.

The content specified herein is subject to change for improvement without notice.

The content specified herein is for the purpose of introducing ROHM's products (hereinafter "Products"). If you wish to use any such Product, please be sure to refer to the specifications, which can be obtained from ROHM upon request.

Examples of application circuits, circuit constants and any other information contained herein illustrate the standard usage and operations of the Products. The peripheral conditions must be taken into account when designing circuits for mass production.

Great care was taken in ensuring the accuracy of the information specified in this document. However, should you incur any damage arising from any inaccuracy or misprint of such information, ROHM shall bear no responsibility for such damage.

The technical information specified herein is intended only to show the typical functions of and examples of application circuits for the Products. ROHM does not grant you, explicitly or implicitly, any license to use or exercise intellectual property or other rights held by ROHM and other parties. ROHM shall bear no responsibility whatsoever for any dispute arising from the use of such technical information.

The Products specified in this document are intended to be used with general-use electronic equipment or devices (such as audio visual equipment, office-automation equipment, communication devices, electronic appliances and amusement devices).

The Products specified in this document are not designed to be radiation tolerant.

While ROHM always makes efforts to enhance the quality and reliability of its Products, a Product may fail or malfunction for a variety of reasons.

Please be sure to implement in your equipment using the Products safety measures to guard against the possibility of physical injury, fire or any other damage caused in the event of the failure of any Product, such as derating, redundancy, fire control and fail-safe designs. ROHM shall bear no responsibility whatsoever for your use of any Product outside of the prescribed scope or not in accordance with the instruction manual.

The Products are not designed or manufactured to be used with any equipment, device or system which requires an extremely high level of reliability the failure or malfunction of which may result in a direct threat to human life or create a risk of human injury (such as a medical instrument, transportation equipment, aerospace machinery, nuclear-reactor controller, fuel-controller or other safety device). ROHM shall bear no responsibility in any way for use of any of the Products for the above special purposes. If a Product is intended to be used for any such special purpose, please contact a ROHM sales representative before purchasing.

If you intend to export or ship overseas any Product or technology specified herein that may be controlled under the Foreign Exchange and the Foreign Trade Law, you will be required to obtain a license or permit under the Law.



Thank you for your accessing to ROHM product informations.
More detail product informations and catalogs are available, please contact us.

ROHM Customer Support System

<http://www.rohm.com/contact/>