



Chipsmall Limited consists of a professional team with an average of over 10 year of expertise in the distribution of electronic components. Based in Hongkong, we have already established firm and mutual-benefit business relationships with customers from,Europe,America and south Asia,supplying obsolete and hard-to-find components to meet their specific needs.

With the principle of “Quality Parts,Customers Priority,Honest Operation,and Considerate Service”,our business mainly focus on the distribution of electronic components. Line cards we deal with include Microchip,ALPS,ROHM,Xilinx,Pulse,ON,Everlight and Freescale. Main products comprise IC,Modules,Potentiometer,IC Socket,Relay,Connector.Our parts cover such applications as commercial,industrial, and automotives areas.

We are looking forward to setting up business relationship with you and hope to provide you with the best service and solution. Let us make a better world for our industry!



## Contact us

Tel: +86-755-8981 8866 Fax: +86-755-8427 6832

Email & Skype: info@chipsmall.com Web: www.chipsmall.com

Address: A1208, Overseas Decoration Building, #122 Zhenhua RD., Futian, Shenzhen, China



|                 |   |
|-----------------|---|
| STRUCTURE       | Silicon Monolithic Integrated Circuit   |
| NAME OF PRODUCT | DC-AC Inverter Control IC   |
| TYPE            | <b>BD9889FV</b>   |
| FUNCTION        | <ul style="list-style-type: none"> <li>· 2ch control with Push-Pull</li> <li>· Lamp current and voltage sense feed back control</li> <li>· Sequencing easily achieved with Soft Start Control</li> <li>· Short circuit protection with Timer Latch</li> <li>· Under Voltage Lock Out</li> <li>· Short circuit protection with over voltage</li> <li>· Mode-selectable the operating or stand-by mode by stand-by pin</li> <li>· Synchronous operating the other BD9889FV IC's</li> <li>· BURST mode controlled by PWM and DC input</li> </ul> |

○Absolute Maximum Ratings (Ta = 25°C)

| Parameter                    | Symbol | Limits   | Unit |
|------------------------------|--------|----------|------|
| Supply Voltage               | Vcc    | 15       | V    |
| Operating Temperature Range  | Topr   | -40~+90  | °C   |
| Storage Temperature Range    | Tstg   | -55~+125 | °C   |
| Power Dissipation            | Pd     | 850*     | mW   |
| Maximum Junction Temperature | Tjmax  | +125     | °C   |

\*Pd derate at 8.5mW/°C for temperature above Ta = 25°C (When mounted on a PCB 70.0mm×70.0mm×1.6mm)

○Recommended operating condition

| Parameter                 | Symbol | Limits    | Unit |
|---------------------------|--------|-----------|------|
| Supply voltage            | VCC    | 5.0~14.0  | V    |
| CT oscillation frequency  | fCT    | 20~150    | kHz  |
| BCT oscillation frequency | fBCT   | 0.05~0.50 | kHz  |

Status of this document

The Japanese version of this document is the official specification.

Please use the translation version of this document as a reference to expedite understanding of the official version.

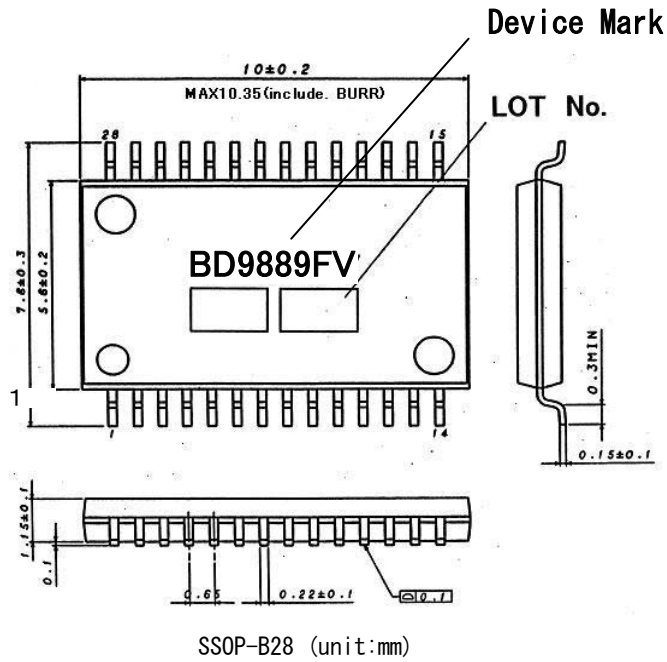
If there are any uncertainty in translation version of this document, official version takes priority.

○Electric Characteristics (Ta=25°C, VCC=7V)

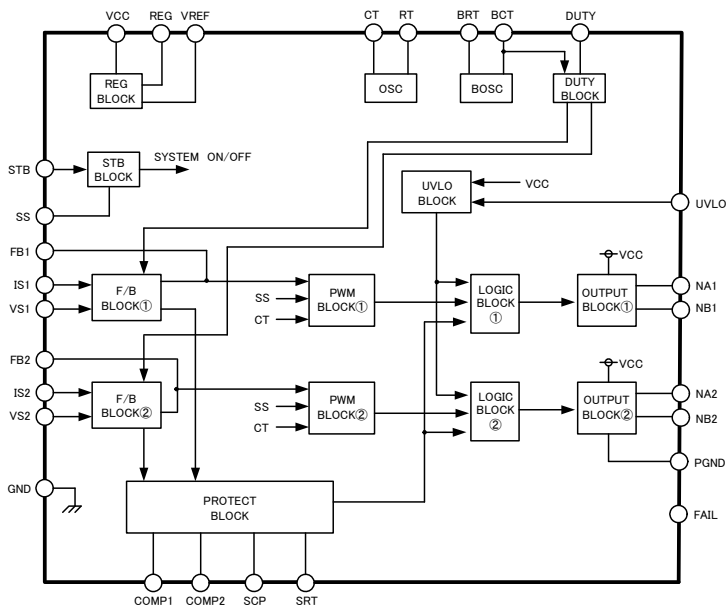
| Parameter                         | Symbol    | Limits   |         |          | Unit | Conditions                 |
|-----------------------------------|-----------|----------|---------|----------|------|----------------------------|
|                                   |           | MIN.     | TYP.    | MAX.     |      |                            |
| ((WHOLE DEVICE))                  |           |          |         |          |      |                            |
| Operating current                 | Icc1      | —        | 11.0    | 17.0     | mA   | CT=0.5V                    |
| Stand-by current                  | Icc2      | —        | 2       | 10       | μA   |                            |
| ((OVER VOLTAGE DETECT))           |           |          |         |          |      |                            |
| FB overvoltage detect voltage     | Vovf      | 2.20     | 2.40    | 2.60     | V    |                            |
| ((STAND BY CONTROL))              |           |          |         |          |      |                            |
| Stand-by voltage H                | VstH      | 1.6      | —       | VCC      | V    | System ON                  |
| Stand-by voltage L                | VstL      | -0.3     | —       | 0.8      | V    | System OFF                 |
| Stand-by hysteresis               | ΔVst      | 0.08     | 0.18    | 0.28     | V    |                            |
| ((TIMER LATCH))                   |           |          |         |          |      |                            |
| Timer Latch voltage               | Vcp       | 1.9      | 2.0     | 2.1      | V    |                            |
| Timer Latch current               | Icp       | 0.5      | 1.0     | 1.5      | μA   |                            |
| ((BURST MODE))                    |           |          |         |          |      |                            |
| BOSC Max voltage                  | VburH     | 1.94     | 2.0     | 2.06     | V    | fBCT=0.2kHz                |
| BOSC Min Voltage                  | VburL     | 0.4      | 0.5     | 0.6      | V    | fBCT=0.2kHz                |
| BOSC constant current             | IBCT      | 1.35/BRT | 1.5/BRT | 1.65/BRT | A    |                            |
| BOSC frequency                    | FBOSC     | 266      | 280     | 294      | Hz   | BRT=33kΩ, BCT=0.050μF      |
| ((OSC BLOCK))                     |           |          |         |          |      |                            |
| OSC constant current              | ICT       | 1.35/RT  | 1.5/RT  | 1.65/RT  | A    |                            |
| OSC Max voltage                   | Vosch     | 1.8      | 2.0     | 2.2      | V    | fCT=60kHz                  |
| OSC Min voltage                   | Voscl     | 0.3      | 0.5     | 0.7      | V    | fCT=60kHz                  |
| MAX DUTY                          | MAXDUTY   | 44       | 46.5    | 49       | %    | fCT=60kHz                  |
| Soft start current                | Iss       | 1.0      | 2.0     | 3.0      | μA   |                            |
| IS COMP detect Voltage            | Visc      | 0.45     | 0.50    | 0.55     | V    |                            |
| SS COMP detect voltage            | Vss       | 2.0      | 2.2     | 2.4      | V    |                            |
| SRT ON resistance                 | RSRT      | —        | 200     | 400      | Ω    |                            |
| ((UVLO BLOCK))                    |           |          |         |          |      |                            |
| Operating voltage                 | VuvloH    | 4.100    | 4.300   | 4.500    | V    |                            |
| Shut down voltage                 | VuvloL    | 3.900    | 4.100   | 4.300    | V    |                            |
| Operating voltage (External UVLO) | Vuvlo1    | 2.160    | 2.220   | 2.280    | V    |                            |
| Lock out voltage (External UVLO)  | Vuvlo2    | 2.242    | 2.315   | 2.388    | V    |                            |
| Hysteresis width                  | ΔVuvlo    | 0.068    | 0.095   | 0.122    | V    |                            |
| ((REG BLOCK))                     |           |          |         |          |      |                            |
| REG output voltage                | VREG      | 3.038    | 3.100   | 3.162    | V    |                            |
| REG source current                | IREG      | 5.0      | —       | —        | mA   |                            |
| VREF input voltage range          | VREF      | 0.60     | —       | 1.50     | V    |                            |
| ((FEED BACK BLOCK))               |           |          |         |          |      |                            |
| IS threshold voltage              | Vis       | —        | VREF    | —        | V    | VREF voltage               |
| VS threshold voltage              | Vvs       | 1.220    | 1.250   | 1.280    | V    |                            |
| IS source current 1               | Iis1      | —        | —       | 1.5      | μA   | DUTY=2.0V                  |
| IS source current 2               | Iis2      | 13.0     | 20.0    | 27.0     | μA   | DUTY=0V, IS=0.5V           |
| VS source current                 | Ivs       | —        | —       | 1.0      | μA   |                            |
| ((OUTPUT BLOCK))                  |           |          |         |          |      |                            |
| NAch output voltage H             | VoutNAH   | VCC-0.3  | VCC-0.1 | —        | V    |                            |
| NBch output voltage H             | VoutNBH   | VCC-0.3  | VCC-0.1 | —        | V    |                            |
| NAch output voltage L             | VoutNAL   | —        | 0.1     | 0.3      | V    |                            |
| NBch output voltage L             | VoutNBL   | —        | 0.1     | 0.3      | V    |                            |
| NAch output sink resistance       | RsinkNA   | —        | 5       | 10       | Ω    | I <sub>sink</sub> = 10mA   |
| NAch output source resistance     | RsourceNA | —        | 8       | 16       | Ω    | I <sub>source</sub> = 10mA |
| NBch output sink resistance       | RsinkNB   | —        | 5       | 10       | Ω    | I <sub>sink</sub> = 10mA   |
| NBch output source resistance     | RsourceNB | —        | 8       | 16       | Ω    | I <sub>source</sub> = 10mA |
| Drive output frequency            | fOUT      | 58.5     | 60.0    | 61.5     | KHz  | RT=18kΩ, CT=400pF          |
| ((COMP BLOCK))                    |           |          |         |          |      |                            |
| Over voltage detect               | VCOMPH    | 3.0      | 3.1     | 3.2      | V    |                            |
| Under voltage detect              | VCOMPL    | 0.620    | 0.640   | 0.660    | V    |                            |
| ((PROTECT CLOCK))                 |           |          |         |          |      |                            |
| Normal output voltage             | VPH       | 2.9      | 3.1     | 3.3      | V    |                            |
| Protect output voltage            | VPL       | —        | —       | 0.5      | V    |                            |

(This product is not designed to be radiation-resistant.)

○Package Dimensions



○Block Diagram



○Pin Description

| Pin No. | Pin Name | Function   |
|---------|----------|--|
| 1       | DUTY     | Control PWM mode and BURST mode  |
| 2       | BRT      | External resistor from BRT to GND for adjusting the BURST triangle oscillator  |
| 3       | BCT      | External capacitor from BCT to GND for adjusting the BURST triangle oscillator |
| 4       | RT       | External resistor from SRT to RT for adjusting the triangle oscillator         |
| 5       | SRT      | External resistor from SRT to RT for adjusting the triangle oscillator         |
| 6       | CT       | External capacitor from CT to GND for adjusting the triangle oscillator        |
| 7       | GND      | GROUND   |
| 8       | FB1      | Error amplifier output①  |
| 9       | IS1      | Error amplifier input①   |
| 10      | VS1      | Error amplifier input②   |
| 11      | FB2      | Error amplifier output②  |
| 12      | IS2      | Error amplifier input③   |
| 13      | VS2      | Error amplifier input④   |
| 14      | VREF     | Reference voltage  |
| 15      | FAIL     | Protect clock output   |
| 16      | STB      | Stand-by switch  |
| 17      | COMP1    | Over or under voltage detect for 1ch   |
| 18      | COMP2    | Over or under voltage detect for 2ch   |
| 19      | UVLO     | External Under Voltage Lock OUT  |
| 20      | REG      | Internal regulator output  |
| 21      | SS       | External capacitor from SS to GND for Soft Start Control                       |
| 22      | SCP      | External capacitor from SCP to GND for Timer Latch                             |
| 23      | NA2      | FET driver for 2ch   |
| 24      | NB2      | FET driver for 2ch   |
| 25      | PGND     | Ground for FET drivers   |
| 26      | NB1      | FET driver for 1ch   |
| 27      | NA1      | FET driver for 1ch   |
| 28      | Vcc      | Supply voltage input   |

○NOTE FOR USE

1. When designing the external circuit, including adequate margins for variation between external devices and IC. Use adequate margins for steady state and transient characteristics.
2. The circuit functionality is guaranteed within of ambient temperature operation range as long as it is within recommended operating range. The standard electrical characteristic values cannot be guaranteed at other voltages in the operating ranges, however the variation will be small.
3. Mounting failures, such as misdirection or miscounts, may harm the device.
4. A strong electromagnetic field may cause the IC to malfunction.
5. The GND pin should be the location within  $\pm 0.3V$  compared with the PGND pin.
6. BD9889FV incorporate a built-in thermal shutdown circuit (TSD circuit). The thermal shutdown circuit (TSD circuit) is designed only to shut the IC off to prevent runaway thermal operation. It is not designed to protect the IC or guarantee its operation of the thermal shutdown circuit is assumed.
7. Absolute maximum ratings are those values that, if exceeded, may cause the life of a device to become significantly shortened. Moreover, the exact failure mode caused by short or open is not defined. Physical countermeasures, such as a fuse, need to be considered when using a device beyond its maximum ratings.
8. About the external FET, the parasitic Capacitor may cause the gate voltage to change, when the drain voltage is switching. Make sure to leave adequate margin for this IC variation.
9. On operating Slow Start Control (SS is less than 2.2V), It does not operate Timer Latch.
10. By STB voltage, BD9889FV is changed to 2 states. Therefore, do not input STB pin voltage between one state and the other state (0.8~1.6).

11. The pin connected a connector need to connect to the resistor for electrical surge destruction. This IC is a monolithic IC which (as shown is Fig-1) has P<sup>+</sup> substrate and between the various pins. A P-N junction is formed from this P layer of each pin. For example, the relation between each potential is as follows,

- (When GND > PinB and GND > PinA, the P-N junction operates as a parasitic diode.)
- (When PinB > GND > PinA, the P-N junction operates as a parasitic transistor.)

Parasitic diodes can occur inevitably in the structure of the IC. The operation of parasitic diodes can result in mutual interference among circuits as well as operation faults and physical damage. Accordingly you must not use methods by which parasitic diodes operate, such as applying a voltage that is lower than the GND (P substrate) voltage to an input pin.

12. This IC is a monolithic IC which (as shown is Fig-1) has P<sup>+</sup> substrate and between the various pins. A P-N junction is formed from this P layer of each pin. For example, the relation between each potential is as follows,

- (When GND > PinB and GND > PinA, the P-N junction operates as a parasitic diode.)
- (When PinB > GND > PinA, the P-N junction operates as a parasitic transistor.)

Parasitic diodes can occur inevitably in the structure of the IC. The operation of parasitic diodes can result in mutual interference among circuits as well as operation faults and physical damage. Accordingly you must not use methods by which parasitic diodes operate, such as applying a voltage that is lower than the GND (P substrate) voltage to an input pin.

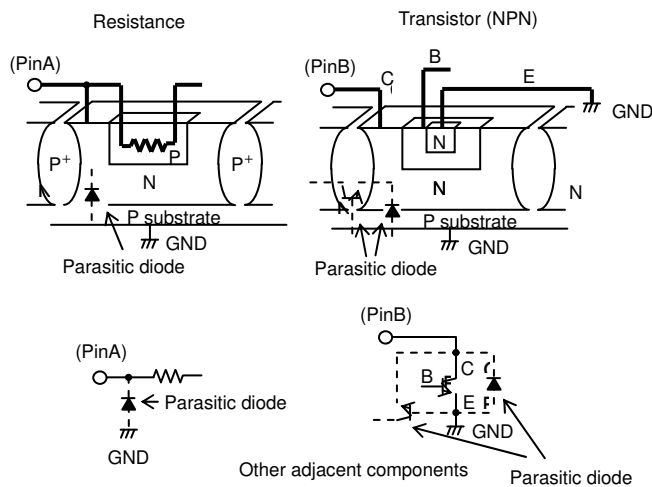


Fig-1 Simplified structure of a Bipolar IC



## Notes

No copying or reproduction of this document, in part or in whole, is permitted without the consent of ROHM Co.,Ltd.

The content specified herein is subject to change for improvement without notice.

The content specified herein is for the purpose of introducing ROHM's products (hereinafter "Products"). If you wish to use any such Product, please be sure to refer to the specifications, which can be obtained from ROHM upon request.

Examples of application circuits, circuit constants and any other information contained herein illustrate the standard usage and operations of the Products. The peripheral conditions must be taken into account when designing circuits for mass production.

Great care was taken in ensuring the accuracy of the information specified in this document. However, should you incur any damage arising from any inaccuracy or misprint of such information, ROHM shall bear no responsibility for such damage.

The technical information specified herein is intended only to show the typical functions of and examples of application circuits for the Products. ROHM does not grant you, explicitly or implicitly, any license to use or exercise intellectual property or other rights held by ROHM and other parties. ROHM shall bear no responsibility whatsoever for any dispute arising from the use of such technical information.

The Products specified in this document are intended to be used with general-use electronic equipment or devices (such as audio visual equipment, office-automation equipment, communication devices, electronic appliances and amusement devices).

The Products specified in this document are not designed to be radiation tolerant.

While ROHM always makes efforts to enhance the quality and reliability of its Products, a Product may fail or malfunction for a variety of reasons.

Please be sure to implement in your equipment using the Products safety measures to guard against the possibility of physical injury, fire or any other damage caused in the event of the failure of any Product, such as derating, redundancy, fire control and fail-safe designs. ROHM shall bear no responsibility whatsoever for your use of any Product outside of the prescribed scope or not in accordance with the instruction manual.

The Products are not designed or manufactured to be used with any equipment, device or system which requires an extremely high level of reliability the failure or malfunction of which may result in a direct threat to human life or create a risk of human injury (such as a medical instrument, transportation equipment, aerospace machinery, nuclear-reactor controller, fuel-controller or other safety device). ROHM shall bear no responsibility in any way for use of any of the Products for the above special purposes. If a Product is intended to be used for any such special purpose, please contact a ROHM sales representative before purchasing.

If you intend to export or ship overseas any Product or technology specified herein that may be controlled under the Foreign Exchange and the Foreign Trade Law, you will be required to obtain a license or permit under the Law.



Thank you for your accessing to ROHM product informations.  
More detail product informations and catalogs are available, please contact us.

## ROHM Customer Support System

<http://www.rohm.com/contact/>