



Chipsmall Limited consists of a professional team with an average of over 10 year of expertise in the distribution of electronic components. Based in Hongkong, we have already established firm and mutual-benefit business relationships with customers from,Europe,America and south Asia,supplying obsolete and hard-to-find components to meet their specific needs.

With the principle of “Quality Parts,Customers Priority,Honest Operation,and Considerate Service”,our business mainly focus on the distribution of electronic components. Line cards we deal with include Microchip,ALPS,ROHM,Xilinx,Pulse,ON,Everlight and Freescale. Main products comprise IC,Modules,Potentiometer,IC Socket,Relay,Connector.Our parts cover such applications as commercial,industrial, and automotives areas.

We are looking forward to setting up business relationship with you and hope to provide you with the best service and solution. Let us make a better world for our industry!



Contact us

Tel: +86-755-8981 8866 Fax: +86-755-8427 6832

Email & Skype: info@chipsmall.com Web: www.chipsmall.com

Address: A1208, Overseas Decoration Building, #122 Zhenhua RD., Futian, Shenzhen, China



Compact Disconnect Switch

Enclosed, Non-Fusible

600 Volt, 30A-60A

BDNF__MS__



Catalog Symbol: BDNF30MS1 and BDNF60MS1

Ampere Rating: 30A, 60A

Voltage Rating: 600V

Enclosures: Valox®

Handle: Nylon

Agency Approvals:

UL Standard, 508 – Industrial Control Equipment

CSA Certified, C22.2 No. 14-M91

NEMA Type 3R, 4X, 12

VALOX is a registered trademark of GE Plastic Co.

General Information:

- Bussmann disconnect switches are used in manual “ON” and “OFF” control of single-phase or three-phase AC motors.
- Bussmann disconnect switches offer the ability to lock directly wired motor loads in the “OFF” position to comply with OSHA Lockout/Tagout regulations.
- Bussmann disconnect switches are NEMA Type 3R, 4X, 12 (washdown, corrosion resistant).

Electrical Rating Ranges

Switches	Horse Power Ratings					
	Single Phase		Three Phase			
	120V	240V	208V	240V	480V	600V
30 Amp	2	5	10	10	20	30
60 Amp	3	10	15	20	40	50

Auxiliary contacts: 6A 250 VAC, 1 N.O. & 1 N.C.

Short-Circuit Rating

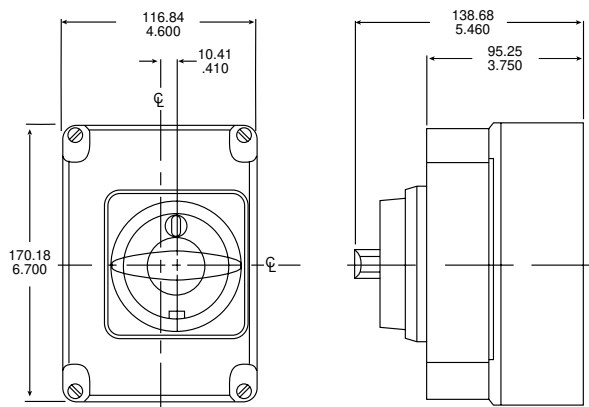
Catalog Number	SC Rating	Max. VAC	Protected By:
BDNF30MS1	10kA	600	80A RK5 fuses
BDNF30MS1-M2	10KA	600	80A RK5 fuses
BDNF60MS2	10kA	600	110A RK5 fuses
BDNF60MS2-M2	10kA	600	110A RK5 fuses

Ordering Information

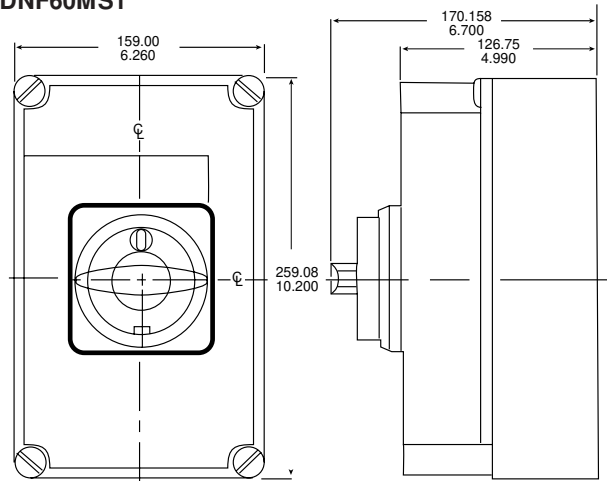
Catalog Number	Amperage	Max. Voltage	Description
BDNF30MS1	30A	600V	No Auxiliary Contacts
BDNF30MS1-M2	30A	600V	Auxiliary Contacts Installed
BDNF60MS2	60A	600V	No Auxiliary Contacts
BDNF60MS2-M2	60A	600V	Auxiliary Contacts Installed
BDAUX49	30A		Auxiliary Contact Kit (Field Installed)
BDAUX79	60A		Auxiliary Contact Kit (Field Installed)

Dimensional Data
BDNF30MS1

All dimensions ±0.13mm
±.005"



BDNF60MS1



Features:

- Enclosures are made of high-impact strength, non-metallic materials which have excellent corrosion resistance.
- Lockable handle to meet OSHA lockout/tagout regulations.
- Large rotary handle provides easy gripping even with gloved or dirty hands.
- Poured-in continuous gasket ensures full perimeter sealing; guarantees gasket is installed and not forgotten. Eliminates need to handle separate component.
- Captive cover mounting screws always in place, ready to assemble.
- DIN-rail mounting switch easily removed for ease of wiring.

Options:

- Available from factory with auxiliary contacts installed or as a field installed kit (see ordering information).

The only controlled copy of this BIF document is the electronic read-only version located on the Bussmann Network Drive. All other copies of this document are by definition uncontrolled. This bulletin is intended to clearly present comprehensive product data and provide technical information that will help the end user with design applications. Bussmann reserves the right, without notice, to change design or construction of any products and to discontinue or limit distribution of any products. Bussmann also reserves the right to change or update, without notice, any technical information contained in this bulletin. Once a product has been selected, it should be tested by the user in all possible applications.