



Chipsmall Limited consists of a professional team with an average of over 10 year of expertise in the distribution of electronic components. Based in Hongkong, we have already established firm and mutual-benefit business relationships with customers from,Europe,America and south Asia,supplying obsolete and hard-to-find components to meet their specific needs.

With the principle of “Quality Parts,Customers Priority,Honest Operation,and Considerate Service”,our business mainly focus on the distribution of electronic components. Line cards we deal with include Microchip,ALPS,ROHM,Xilinx,Pulse,ON,Everlight and Freescale. Main products comprise IC,Modules,Potentiometer,IC Socket,Relay,Connector.Our parts cover such applications as commercial,industrial, and automotives areas.

We are looking forward to setting up business relationship with you and hope to provide you with the best service and solution. Let us make a better world for our industry!



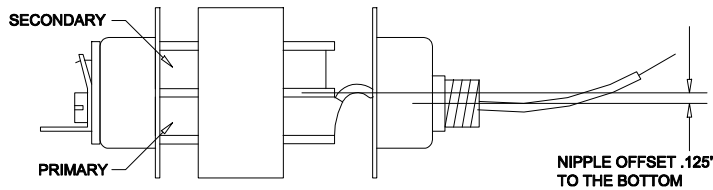
Contact us

Tel: +86-755-8981 8866 Fax: +86-755-8427 6832

Email & Skype: info@chipsmall.com Web: www.chipsmall.com

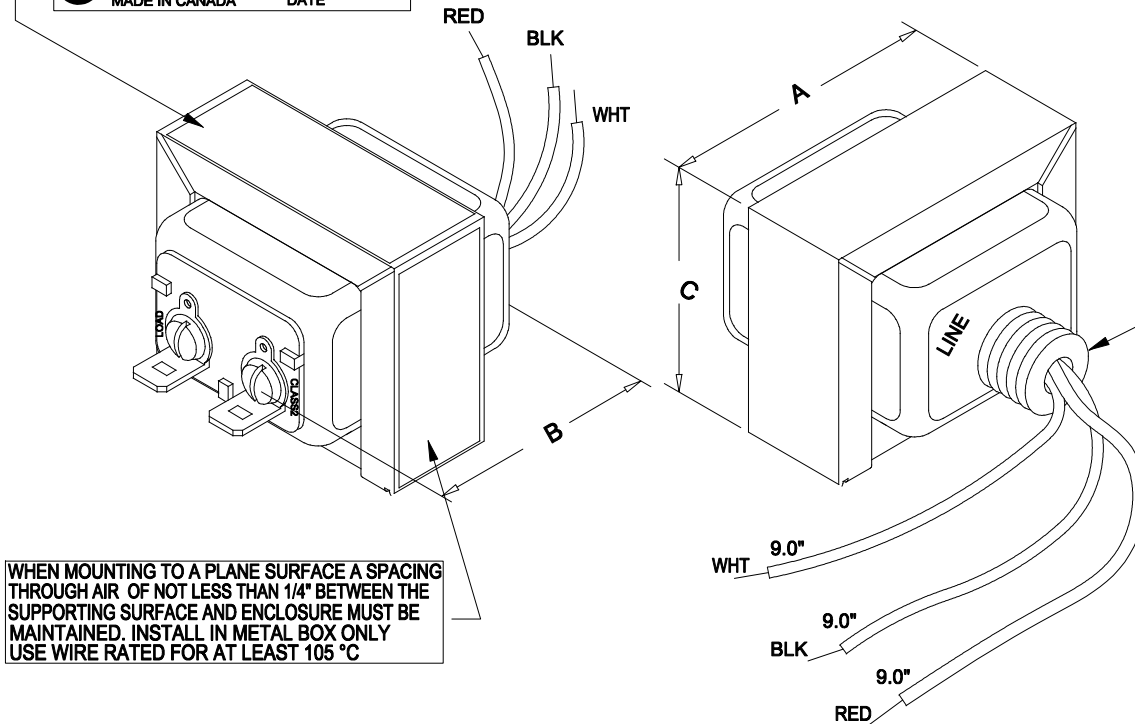
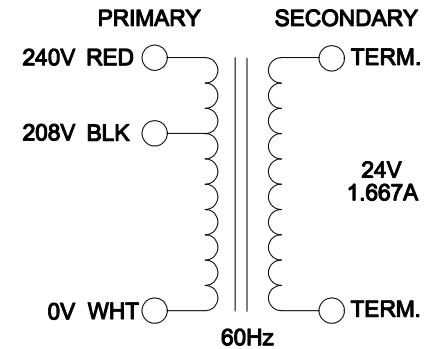
Address: A1208, Overseas Decoration Building, #122 Zhenhua RD., Futian, Shenzhen, China





DIMENSIONS:	
A	2.33" ±0.063
B	2.60" ±0.125
C	1.98" ±0.063

BE5DG
 PRI WHT - BLK 208V 60Hz
 PRI WHT - RED 240V 60Hz
 SEC 24V 40VA
 CLASS 2 NOT WET, CLASS 3 WET
 CLASS 2 XFMR, CLASS 3 XFMR
 MADE IN CANADA
 LISTED 1P/AD
 U L U S
 ED



WHEN MOUNTING TO A PLANE SURFACE A SPACING THROUGH AIR OF NOT LESS THAN 1/4" BETWEEN THE SUPPORTING SURFACE AND ENCLOSURE MUST BE MAINTAINED. INSTALL IN METAL BOX ONLY USE WIRE RATED FOR AT LEAST 105 °C

ELECTRICAL DATA:		
TESTS	CONDITIONS	ACCEPTANCE CRITERIA
Iex	@ 240V, 60Hz, WHT - RED	75mA Max.
Sec. N.L.V	@ 240V, 60Hz, WHT - RED	
	WHT - BLK =	208.0V ±2%
	TER - TER =	27.88V ±2%
DCR	@ 20°C, WHT - RED =	85.77 Ω ±20%
	@ 20°C, TER - TER =	0.782 Ω ±20%
HIPOT	PRIMARY - SECONDARY	2000V, 60Hz, 1 SEC

REV.#	REVISION	DATE	HAMMOND ELECTRONIC DIVISION		52 RANKIN PLACE, WATERLOO, ONTARIO, N2J 3Z5	PH # (519) 886-6181 FAX # (519) 886-9540
0	RELEASED.	C.I. 09/16/15	MANUFACTURING™			
			DWG. BY: C. ILIE	CHK'D BY:	TITLE: CLASS 2 ENERGY LIMITING TX.	DWG. NO. BE5DG
			DATE: 09/16/15	APP'D. BY:		
				DIMENSIONS: IN(X) MM()		