



Chipsmall Limited consists of a professional team with an average of over 10 year of expertise in the distribution of electronic components. Based in Hongkong, we have already established firm and mutual-benefit business relationships with customers from,Europe,America and south Asia,supplying obsolete and hard-to-find components to meet their specific needs.

With the principle of “Quality Parts,Customers Priority,Honest Operation,and Considerate Service”,our business mainly focus on the distribution of electronic components. Line cards we deal with include Microchip,ALPS,ROHM,Xilinx,Pulse,ON,Everlight and Freescale. Main products comprise IC,Modules,Potentiometer,IC Socket,Relay,Connector.Our parts cover such applications as commercial,industrial, and automotives areas.

We are looking forward to setting up business relationship with you and hope to provide you with the best service and solution. Let us make a better world for our industry!



## Contact us

Tel: +86-755-8981 8866 Fax: +86-755-8427 6832

Email & Skype: info@chipsmall.com Web: www.chipsmall.com

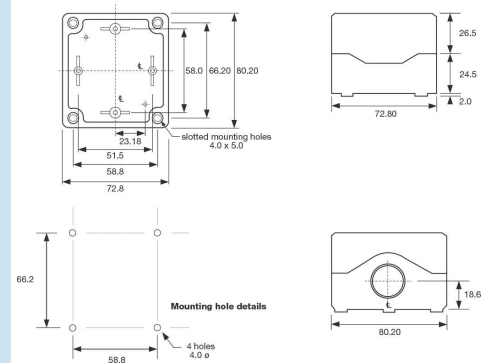
Address: A1208, Overseas Decoration Building, #122 Zhenhua RD., Futian, Shenzhen, China



BEA01S - ABS  
BEP01S - Polycarbonate



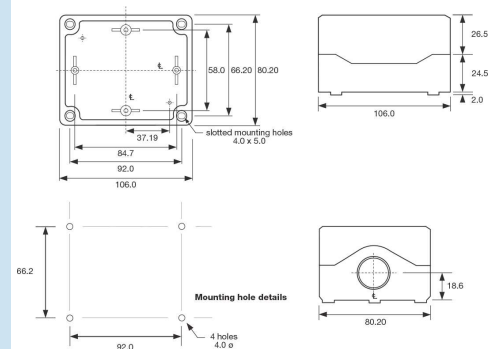
- Dimensions: 80 x 72 x 53mm
- Slotted mounting holes, 66.2 x 58.8mm
- 2 x M20 threaded knock-outs suitable for use with M20 glands
- Option for single pre-drilled 22mm Ø hole in lid
- PCB mounting posts suitable for M3 self tapping screws
- ABS or Flame Retardant Polycarbonate material options
- Grey or black base
- Transparent, black, grey or yellow lid



BEA02S - ABS  
BEP02S - Polycarbonate



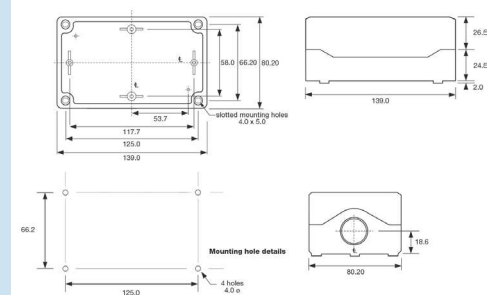
- Dimensions: 80 x 106 x 53mm
- Slotted mounting holes, 66.2 x 92.0mm
- 2 x M20 threaded knock-outs suitable for use with M20 glands
- Option for two pre-drilled 22mm Ø holes in lid
- PCB mounting posts suitable for M3 self tapping screws
- ABS or Flame Retardant Polycarbonate material options
- Grey or black base
- Transparent, black, grey or yellow lid



BEA03S - ABS  
BEP03S - Polycarbonate



- Dimensions: 80 x 139 x 53mm
- Slotted mounting holes, 66.2 x 125mm
- 2 x M20 threaded knock-outs suitable for use with M20 glands
- Option for three pre-drilled 22mm Ø holes in lid
- PCB mounting posts suitable for M3 self tapping screws
- ABS or Flame Retardant Polycarbonate material options
- Grey or black base
- Transparent, black, grey or yellow lid



Combifoot rail mounting  
accessory



- Easy snap fixing to enclosure
- Suitable for TS32 & TS35 rails
- Available in black or grey
- Part numbers:  
Grey - BE123456  
Black - BE123457

Wall mounting accessory



- Easy snap fixing to enclosure
- For easy access wall mounting
- Available in black or grey
- Part numbers:  
Grey - BE123458  
Black - BE123459

Cable glands



- For use in pre-moulded knock-outs
- M20 thread
- Cable range 3.5-8mm
- Supplied with gasket
- Available in black or grey
- Part numbers:  
Grey - BE123460  
Black - BE123461

### Specifications

	BEAxxx	BEPxxx
Sealing:	IP67	IP67
Material:	ABS	Polycarbonate
Flammability rating:	UL94HB	UL94V-0
Gasket:	TPE	TPE
Temperature rating:	-20°C to +85°C	-20°C to +100°C

### Features

- IP67 rated, dust and waterproof for short-term submersion to 1m depth
- Two materials, Polycarbonate - UL94V-0 rated or ABS - UL94HB rated
- Threaded M20 knock-outs, premoulded areas that can be pushed out for use with M20 size cable glands
- Plastic lid fixing screws, corrosion resistant
- Captive lid screws, standard on all lids
- Additional pre-drilled 22mm holes in the lid may be specified, suitable for standard switches and indicators
- PCB mounting, mounting posts and slots for PCB as standard
- Self tapping screw fixing, standard feature
- Transparent top cover, available in clear and smoke grey
- Accessories:
  - Wall mounting brackets
  - Combifoot - TS32 & TS35 din rail mounting
  - M20 cable glands for use in knock-outs
- Registered design

BE	/	X	/	XXX	/	X	/	X	/	X
<b>Body Styles</b>		<b>Materials</b>		<b>Size</b>		<b>Base Colour</b>		<b>Lid Colour</b>		<b>Pre-drilled Lid Holes</b>
		A = ABS - UL94HB P = Polycarb - UL94V-0		01S = 80 x 72 x 53 02S = 80 x 106 x 53 03S = 80 x 139 x 53		B = black G = grey		B = black G = grey Y = yellow T = transparent		0 = no holes 1 = with hole(s) (1 x 22mmØ Size 1, 2 x 22mmØ Size 2 & 3 x 22mmØ Size 3 Enclosures)

### Examples:

BEA02SGT0 = Size 2, ABS material, grey base, transparent lid with no holes