



Chipsmall Limited consists of a professional team with an average of over 10 year of expertise in the distribution of electronic components. Based in Hongkong, we have already established firm and mutual-benefit business relationships with customers from,Europe,America and south Asia,supplying obsolete and hard-to-find components to meet their specific needs.

With the principle of “Quality Parts,Customers Priority,Honest Operation,and Considerate Service”,our business mainly focus on the distribution of electronic components. Line cards we deal with include Microchip,ALPS,ROHM,Xilinx,Pulse,ON,Everlight and Freescale. Main products comprise IC,Modules,Potentiometer,IC Socket,Relay,Connector.Our parts cover such applications as commercial,industrial, and automotives areas.

We are looking forward to setting up business relationship with you and hope to provide you with the best service and solution. Let us make a better world for our industry!



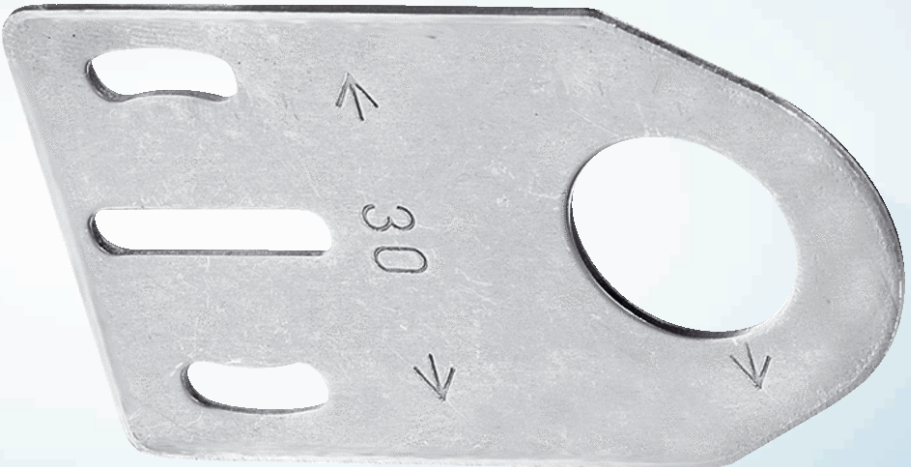
## Contact us

Tel: +86-755-8981 8866 Fax: +86-755-8427 6832

Email & Skype: info@chipsmall.com Web: www.chipsmall.com

Address: A1208, Overseas Decoration Building, #122 Zhenhua RD., Futian, Shenzhen, China





BEF-WG-M18N



## Ordering information

| Type        | Part no. |
|-------------|----------|
| BEF-WG-M18N | 5320948  |

Other models and accessories → [www.sick.com/](http://www.sick.com/)

## Detailed technical data

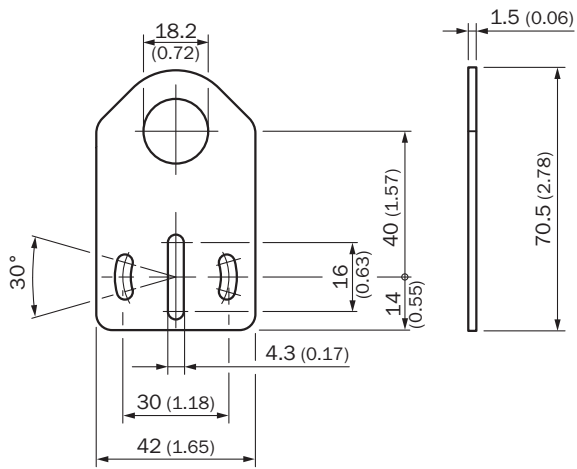
### Technical specifications

|                         |                                |
|-------------------------|--------------------------------|
| <b>Accessory group</b>  | Mounting brackets and plates   |
| <b>Accessory family</b> | Mounting brackets              |
| <b>Material</b>         | Stainless steel                |
| <b>Items supplied</b>   | Without mounting hardware      |
| <b>Description</b>      | Mounting plate for M18 sensors |
| <b>Specialty</b>        | Straight                       |

### Classifications

|                       |          |
|-----------------------|----------|
| <b>ECl@ss 5.0</b>     | 27279202 |
| <b>ECl@ss 5.1.4</b>   | 27279202 |
| <b>ECl@ss 6.0</b>     | 27279202 |
| <b>ECl@ss 6.2</b>     | 27279202 |
| <b>ECl@ss 7.0</b>     | 27279202 |
| <b>ECl@ss 8.0</b>     | 27279202 |
| <b>ECl@ss 8.1</b>     | 27279202 |
| <b>ECl@ss 9.0</b>     | 27273701 |
| <b>ETIM 5.0</b>       | EC002615 |
| <b>ETIM 6.0</b>       | EC002615 |
| <b>UNSPSC 16.0901</b> | 32131023 |

Dimensional drawing (Dimensions in mm (inch))



## SICK AT A GLANCE

SICK is one of the leading manufacturers of intelligent sensors and sensor solutions for industrial applications. A unique range of products and services creates the perfect basis for controlling processes securely and efficiently, protecting individuals from accidents and preventing damage to the environment.

We have extensive experience in a wide range of industries and understand their processes and requirements. With intelligent sensors, we can deliver exactly what our customers need. In application centers in Europe, Asia and North America, system solutions are tested and optimized in accordance with customer specifications. All this makes us a reliable supplier and development partner.

Comprehensive services complete our offering: SICK LifeTime Services provide support throughout the machine life cycle and ensure safety and productivity.

For us, that is “Sensor Intelligence.”

## WORLDWIDE PRESENCE:

Contacts and other locations [www.sick.com](http://www.sick.com)