



Chipsmall Limited consists of a professional team with an average of over 10 year of expertise in the distribution of electronic components. Based in Hongkong, we have already established firm and mutual-benefit business relationships with customers from,Europe,America and south Asia,supplying obsolete and hard-to-find components to meet their specific needs.

With the principle of “Quality Parts,Customers Priority,Honest Operation,and Considerate Service”,our business mainly focus on the distribution of electronic components. Line cards we deal with include Microchip,ALPS,ROHM,Xilinx,Pulse,ON,Everlight and Freescale. Main products comprise IC,Modules,Potentiometer,IC Socket,Relay,Connector.Our parts cover such applications as commercial,industrial, and automotives areas.

We are looking forward to setting up business relationship with you and hope to provide you with the best service and solution. Let us make a better world for our industry!



## Contact us

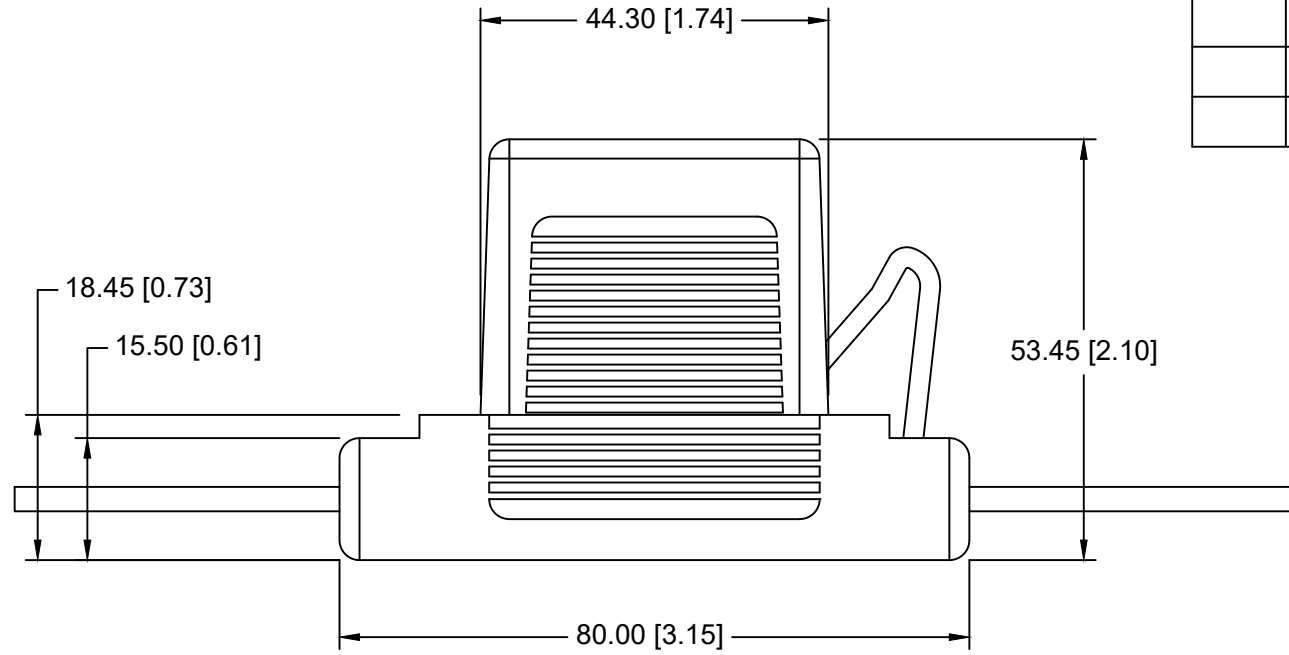
Tel: +86-755-8981 8866 Fax: +86-755-8427 6832

Email & Skype: info@chipsmall.com Web: www.chipsmall.com

Address: A1208, Overseas Decoration Building, #122 Zhenhua RD., Futian, Shenzhen, China




Date	SYM	REVISION RECORD	AUTH	DR.	CK.



NOTES:

- MATERIAL:  
HOUSING : PVC ,UL94V-0, FLEX 60GPVC, UL FILE NO. E174939
- WIRE: RED WIRE, 8 AWG, UL 1028, 600V, 105°C,  
FLAME RATED VW-1, UL FILE NO. E77981 OR ENGINEERING  
APPROVED EQUIVALENT
- RATED CURRENT: 80A
- ACCEPTS MAXI/ATX FUSES
- INSULATION RESISTANCE AT 500V DC: 100MΩ MIN
- CONTACT RESISTANCE: 5mΩ AT 1A DC
- DIELECTRIC STRENGTH FOR 60 SECONDS: AC 2000V MIN
- ROHS 2 COMPLIANT

Tolerance (Except as noted)	 <b>Memory Protection Devices, Inc</b> 200 Broad Hollow Road, Farmingdale, New York 11735	Scale	Drawn By B.S.
			Approved By T.B.
decimal ±.5 (.020)	Title INLINE FUSE HOLDER		
Fractional ± .8 (.030)	Date 12/08/17	Drawing Number BF353L	
Angular ± 3°			