



Chipsmall Limited consists of a professional team with an average of over 10 year of expertise in the distribution of electronic components. Based in Hongkong, we have already established firm and mutual-benefit business relationships with customers from,Europe,America and south Asia,supplying obsolete and hard-to-find components to meet their specific needs.

With the principle of “Quality Parts,Customers Priority,Honest Operation,and Considerate Service”,our business mainly focus on the distribution of electronic components. Line cards we deal with include Microchip,ALPS,ROHM,Xilinx,Pulse,ON,Everlight and Freescale. Main products comprise IC,Modules,Potentiometer,IC Socket,Relay,Connector.Our parts cover such applications as commercial,industrial, and automotives areas.

We are looking forward to setting up business relationship with you and hope to provide you with the best service and solution. Let us make a better world for our industry!



Contact us

Tel: +86-755-8981 8866 Fax: +86-755-8427 6832

Email & Skype: info@chipsmall.com Web: www.chipsmall.com

Address: A1208, Overseas Decoration Building, #122 Zhenhua RD., Futian, Shenzhen, China



BGA725L6

Silicon Germanium Low Noise Amplifier
for Global Navigation Satellite Systems (GNSS)
in ultra small package with 0.77mm² footprint

Data Sheet

Revision 2.0, 2012-03-09
Preliminary

Edition 2012-03-09

**Published by
Infineon Technologies AG
81726 Munich, Germany**

**© 2012 Infineon Technologies AG
All Rights Reserved.**

Legal Disclaimer

The information given in this document shall in no event be regarded as a guarantee of conditions or characteristics. With respect to any examples or hints given herein, any typical values stated herein and/or any information regarding the application of the device, Infineon Technologies hereby disclaims any and all warranties and liabilities of any kind, including without limitation, warranties of non-infringement of intellectual property rights of any third party.

Information

For further information on technology, delivery terms and conditions and prices, please contact the nearest Infineon Technologies Office (www.infineon.com).

Warnings

Due to technical requirements, components may contain dangerous substances. For information on the types in question, please contact the nearest Infineon Technologies Office.

Infineon Technologies components may be used in life-support devices or systems only with the express written approval of Infineon Technologies, if a failure of such components can reasonably be expected to cause the failure of that life-support device or system or to affect the safety or effectiveness of that device or system. Life support devices or systems are intended to be implanted in the human body or to support and/or maintain and sustain and/or protect human life. If they fail, it is reasonable to assume that the health of the user or other persons may be endangered.

Revision History

Page or Item	Subjects (major changes since previous revision)
Revision 2.0, 2012-03-09	
all	"Target" status changed to "Preliminary"
7	Marking code changed: C
7, 10, 11	Electrical Characteristics adjusted
Revision 1.0, 2011-07-05	
all	Initial version

Trademarks of Infineon Technologies AG

AURIX™, C166™, CanPAK™, CIPOS™, CIPURSE™, EconoPACK™, CoolMOS™, CoolSET™, CORECONTROL™, CROSSAVE™, DAVE™, DI-POL™, EasyPIM™, EconoBRIDGE™, EconoDUAL™, EconoPIM™, EconoPACK™, EiceDRIVER™, eupec™, FCOS™, HITFET™, HybridPACK™, I²RF™, ISOFACE™, IsoPACK™, MIPAQ™, ModSTACK™, my-d™, NovalithIC™, OptiMOS™, ORIGA™, POWERCODE™, PRIMARION™, PrimePACK™, PrimeSTACK™, PRO-SIL™, PROFET™, RASIC™, ReverSave™, SatRIC™, SIEGET™, SINDRION™, SIPMOS™, SmartLEWIS™, SOLID FLASH™, TEMPFET™, thinQ!™, TRENCHSTOP™, TriCore™.

Other Trademarks

Advance Design System™ (ADS) of Agilent Technologies, AMBA™, ARM™, MULTI-ICE™, KEIL™, PRIMECELL™, REALVIEW™, THUMB™, μVision™ of ARM Limited, UK. AUTOSAR™ is licensed by AUTOSAR development partnership. Bluetooth™ of Bluetooth SIG Inc. CAT-iq™ of DECT Forum. COLOSSUS™, FirstGPS™ of Trimble Navigation Ltd. EMV™ of EMVCo, LLC (Visa Holdings Inc.). EPCOS™ of Epcos AG. FLEXGO™ of Microsoft Corporation. FlexRay™ is licensed by FlexRay Consortium. HYPERTERMINAL™ of Hilgraeve Incorporated. IEC™ of Commission Electrotechnique Internationale. IrDA™ of Infrared Data Association Corporation. ISO™ of INTERNATIONAL ORGANIZATION FOR STANDARDIZATION. MATLAB™ of MathWorks, Inc. MAXIM™ of Maxim Integrated Products, Inc. MICROTEC™, NUCLEUS™ of Mentor Graphics Corporation. MIPI™ of MIPI Alliance, Inc. MIPS™ of MIPS Technologies, Inc., USA. muRata™ of MURATA MANUFACTURING CO., MICROWAVE OFFICE™ (MWO) of Applied Wave Research Inc., OmniVision™ of OmniVision Technologies, Inc. Openwave™ Openwave Systems Inc. RED HAT™ Red Hat, Inc. RFMD™ RF Micro Devices, Inc. SIRIUS™ of Sirius Satellite Radio Inc. SOLARIS™ of Sun Microsystems, Inc. SPANSION™ of Spansion LLC Ltd. Symbian™ of Symbian Software Limited. TAIYO YUDEN™ of Taiyo Yuden Co. TEAKLITE™ of CEVA, Inc. TEKTRONIX™ of Tektronix Inc. TOKO™ of TOKO KABUSHIKI KAISHA TA. UNIX™ of X/Open Company Limited. VERILOG™, PALLADIUM™ of Cadence Design Systems, Inc. VLYNQ™ of Texas Instruments Incorporated. VXWORKS™, WIND RIVER™ of WIND RIVER SYSTEMS, INC. ZETEX™ of Diodes Zetex Limited.

Last Trademarks Update 2011-11-11

Table of Contents

	Table of Contents	4
	List of Figures	5
	List of Tables	6
	Features	7
1	Maximum Ratings	9
2	Electrical Characteristics	10
3	Application Information	12
4	Package Information	14

List of Figures

Figure 1	Block Diagram	7
Figure 2	Application Schematic BGA725L6	12
Figure 3	Drawing of Application Board	13
Figure 4	Application Board Cross-Section	13
Figure 5	TSLP-6-2 Package Outline (top, side and bottom views)	14
Figure 6	Footprint TSLP-6-2	14
Figure 7	Marking Layout (top view)	14
Figure 8	Tape & Reel Dimensions (reel diameter 180 mm, pieces/reel 15000)	15

List of Tables

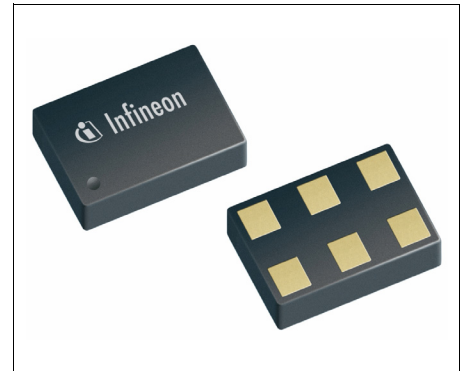
Table 1	Pin Definition and Function	8
Table 2	Maximum Ratings	9
Table 3	Thermal Resistance	9
Table 4	Electrical Characteristics: $T_A = 25\text{ °C}$, $V_{CC} = 1.8\text{ V}$, $V_{PON,ON} = 1.8\text{ V}$, $V_{PON,OFF} = 0\text{ V}$, $f = 1550 - 1615\text{ MHz}$	10
Table 5	Electrical Characteristics: $T_A = 25\text{ °C}$, $V_{CC} = 2.8\text{ V}$, $V_{PON,ON} = 2.8\text{ V}$, $V_{PON,OFF} = 0\text{ V}$, $f = 1550 - 1615\text{ MHz}$	11
Table 6	Bill of Materials	12

**Silicon Germanium Low Noise Amplifier
for Global Navigation Satellite Systems (GNSS)
in ultra small package with 0.77mm² footprint**

BGA725L6

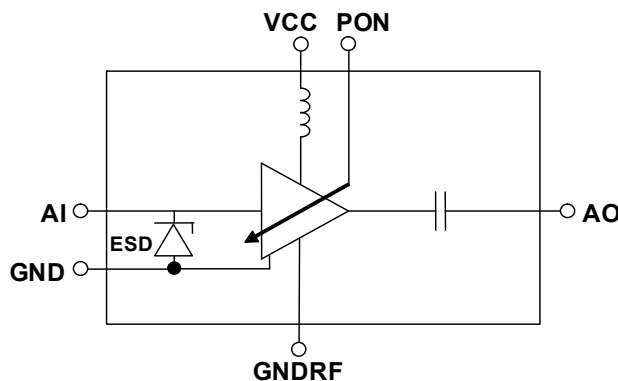
Features

- High insertion power gain: 20.0 dB
- Out-of-band input 3rd order intercept point: -2 dBm
- Input 1 dB compression point: -15 dBm
- Low noise figure: 0.65 dB
- Low current consumption: 3.6 mA
- Operating frequencies: 1550 - 1615 MHz
- Supply voltage: 1.5 V to 3.6 V
- Digital on/off switch (1V logic high level)
- Ultra small TSLP-6-2 leadless package (footprint: 0.7 x 1.1 mm²)
- B7HF Silicon Germanium technology
- RF output internally matched to 50 Ω
- Only 1 external SMD component necessary
- 2kV HBM ESD protection (including AI-pin)
- Pb-free (RoHS compliant) package



Application

- Ideal for all Global Navigation Satellite Systems (GNSS) like GPS, GLONASS, Beidou, Galileo and others.



BGA725L6_Blockdiagram.vsd

Figure 1 Block Diagram

Product Name	Marking	Package
BGA725L6	D	TSLP-6-2

Description

The BGA725L6 is a front-end low noise amplifier for Global Navigation Satellite Systems (GNSS) from 1550 MHz to 1615 MHz like GPS, GLONASS, Beidou, Galileo and others. The LNA provides 20.0 dB gain and 0.65 dB noise figure at a current consumption of 3.6 mA in the application configuration described in [Chapter 3](#). The BGA725L6 is based upon Infineon Technologies' B7HF Silicon Germanium technology. It operates from 1.5 V to 3.6 V supply voltage.

Pin Definition and Function**Table 1 Pin Definition and Function**

Pin No.	Name	Function
1	GND	General ground
2	VCC	DC supply
3	AO	LNA output
4	GNDRF	LNA RF ground
5	AI	LNA input
6	PON	Power on control

1 Maximum Ratings

Table 2 Maximum Ratings

Parameter	Symbol	Values			Unit	Note / Test Condition
		Min.	Typ.	Max.		
Voltage at pin VCC	V_{CC}	-0.3	–	3.6	V	1)
Voltage at pin AI	V_{AI}	-0.3	–	0.9	V	–
Voltage at pin AO	V_{AO}	-0.3	–	$V_{CC} + 0.3$	V	–
Voltage at pin PON	V_{PON}	-0.3	–	$V_{CC} + 0.3$	V	–
Voltage at pin GNDRF	V_{GNDRF}	-0.3	–	0.3	V	–
Current into pin VCC	I_{CC}	–	–	20	mA	–
RF input power	P_{IN}	–	–	0	dBm	–
Total power dissipation, $T_S < 123\text{ °C}^2)$	P_{tot}	–	–	72	mW	–
Junction temperature	T_J	–	–	150	°C	–
Ambient temperature range	T_A	-40	–	85	°C	–
Storage temperature range	T_{STG}	-65	–	150	°C	–
ESD capability all pins	V_{ESD_HBM}	–	–	2000	V	according to JESD22A-114

1) All voltages refer to GND-Node unless otherwise noted

2) T_S is measured on the ground lead at the soldering point

Attention: Stresses above the max. values listed here may cause permanent damage to the device. Exposure to absolute maximum rating conditions for extended periods may affect device reliability. Maximum ratings are absolute ratings; exceeding only one of these values may cause irreversible damage to the integrated circuit.

Thermal Resistance

Table 3 Thermal Resistance

Parameter	Symbol	Value	Unit
Junction - soldering point ¹⁾	R_{thJS}	380	K/W

1) For calculation of R_{thJA} please refer to Application Note Thermal Resistance

2 Electrical Characteristics

Table 4 Electrical Characteristics:¹⁾ $T_A = 25\text{ °C}$, $V_{CC} = 1.8\text{ V}$, $V_{PON,ON} = 1.8\text{ V}$, $V_{PON,OFF} = 0\text{ V}$,
 $f = 1550 - 1615\text{ MHz}$ (GPS / Glonass / Beidou / Galileo)

Parameter	Symbol	Values			Unit	Note / Test Condition
		Min.	Typ.	Max.		
Supply voltage	V_{CC}	1.5	–	3.6	V	–
Supply current	I_{CC}	–	3.6	–	mA	ON-mode
		–	0.2	3	μA	OFF-mode
Power On voltage	V_{pon}	1.0	–	V_{CC}	V	ON-mode
		0	–	0.4	V	OFF-mode
Power On current	I_{pon}	–	5	–	μA	ON-mode
		–	–	1	μA	OFF-mode
Insertion power gain	$ S_{21} ^2$	–	20.0	–	dB	–
Noise figure ²⁾	NF	–	0.65	–	dB	$Z_S = 50\ \Omega$
Input return loss	RL_{in}	–	14	–	dB	–
Output return loss	RL_{out}	–	20	–	dB	–
Reverse isolation	$1/ S_{12} ^2$	–	37	–	dB	–
Power gain settling time ³⁾	t_S	–	5	–	μs	OFF- to ON-mode
		–	5	–	μs	ON- to OFF-mode
Inband input 1dB-compression point	IP_{1dB}	–	-16	–	dBm	–
Inband input 3 rd -order intercept point ⁴⁾	IIP_3	–	-6	–	dBm	$f_1 = 1575\text{ MHz}$ $f_2 = f_1 \pm 1\text{ MHz}$
Out-of-band input 3 rd -order intercept point ⁵⁾	IIP_{3oob}	–	-5	–	dBm	$f_1 = 1712.7\text{ MHz}$ $f_2 = 1850\text{ MHz}$
Stability	k	–	> 1	–		$f = 20\text{ MHz} \dots 10\text{ GHz}$

1) Based on the application described in chapter 3

2) PCB losses are subtracted

3) To be within 1 dB of the final gain OFF- to ON-mode; to be within 3 dB of the final gain ON- to OFF-mode

4) Input power = -30 dBm for each tone

5) Input power = -20 dBm for each tone

Table 5 Electrical Characteristics:¹⁾ $T_A = 25\text{ °C}$, $V_{CC} = 2.8\text{ V}$, $V_{PON,ON} = 2.8\text{ V}$, $V_{PON,OFF} = 0\text{ V}$,
 $f = 1550 - 1615\text{ MHz}$ (GPS / Glonass / Beidou / Galileo)

Parameter	Symbol	Values			Unit	Note / Test Condition
		Min.	Typ.	Max.		
Supply voltage	V_{CC}	1.5	–	3.6	V	–
Supply current	I_{CC}	–	3.6	–	mA	ON-mode
		–	0.2	3	μA	OFF-mode
Power On voltage	V_{pon}	1.0	–	V_{cc}	V	ON-mode
		0	–	0.4	V	OFF-mode
Power On current	I_{pon}	–	5	–	μA	ON-mode
		–	–	1	μA	OFF-mode
Insertion power gain	$ S_{21} ^2$	–	20.0	–	dB	–
Noise figure ²⁾	NF	–	0.65	–	dB	$Z_S = 50\ \Omega$
Input return loss	RL_{in}	–	14	–	dB	–
Output return loss	RL_{out}	–	20	–	dB	–
Reverse isolation	$1/ S_{12} ^2$	–	37	–	dB	–
Power gain settling time ³⁾	t_S	–	5	–	μs	OFF- to ON-mode
		–	5	–	μs	ON- to OFF-mode
Inband input 1dB-compression point	IP_{1dB}	–	-15	–	dBm	–
Inband input 3 rd -order intercept point ⁴⁾	IIP_3	–	-5	–	dBm	$f_1 = 1575\text{ MHz}$ $f_2 = f_1 \pm 1\text{ MHz}$
Out-of-band input 3 rd -order intercept point ⁵⁾	IIP_{3oob}	–	-2	–	dBm	$f_1 = 1712.7\text{ MHz}$ $f_2 = 1850\text{ MHz}$
Stability	k	–	> 1	–		$f = 20\text{ MHz} \dots 10\text{ GHz}$

1) Based on the application described in chapter 3

2) PCB losses are subtracted

3) To be within 1 dB of the final gain OFF- to ON-mode; to be within 3 dB of the final gain ON- to OFF-mode

4) Input power = -30 dBm for each tone

5) Input power = -20 dBm for each tone

3 Application Information

Application Board Configuration

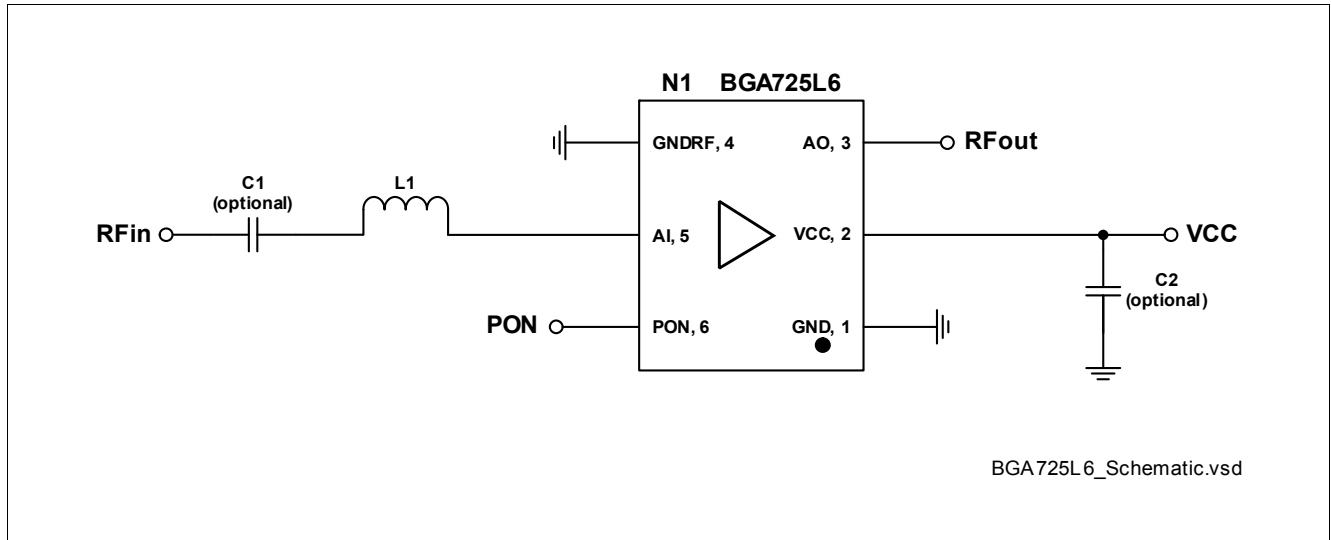


Figure 2 Application Schematic BGA725L6

Table 6 Bill of Materials

Name	Value	Package	Manufacturer	Function
C1 (optional)	1nF	0402	Various	DC block ¹⁾
C2 (optional)	> 10nF ²⁾	0402	Various	RF bypass ³⁾
L1	7.5nH	0402	Murata LQW type	Input matching
N1	BGA725L6	TSLP-6-2	Infineon	SiGe LNA

- 1) DC block might be realized with pre-filter in GNSS applications
- 2) For data sheet characteristics 1μF used
- 3) RF bypass recommended to mitigate power supply noise

A list of all application notes is available at <http://www.infineon.com/gpsIna.appnotes>.

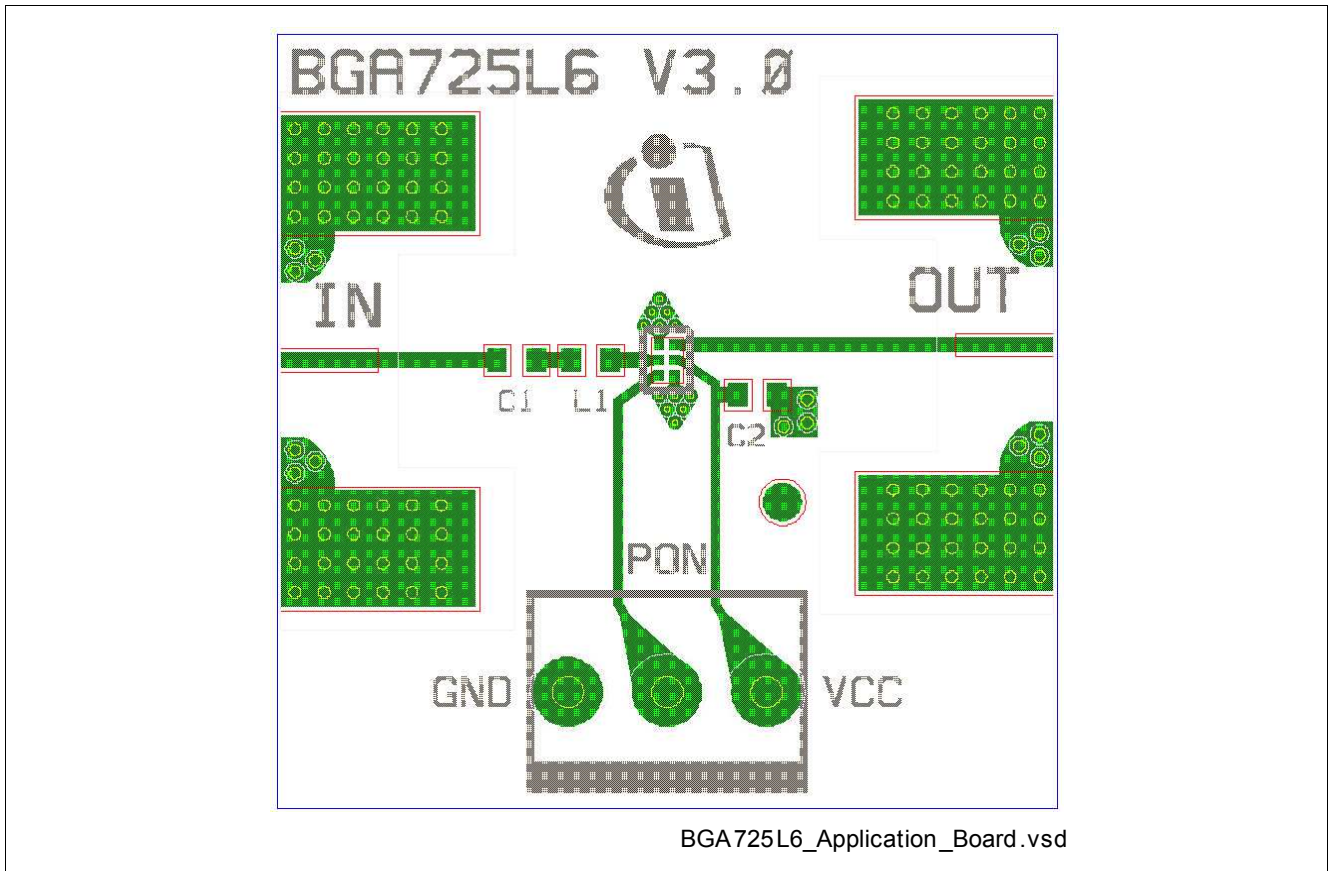


Figure 3 Drawing of Application Board

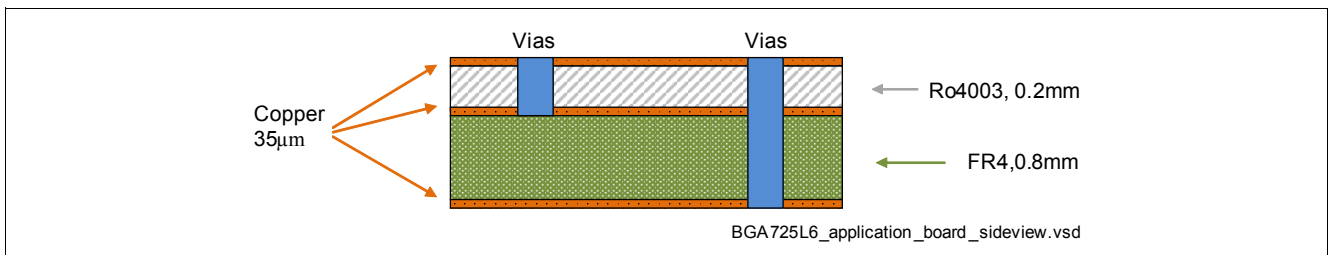


Figure 4 Application Board Cross-Section

4 Package Information

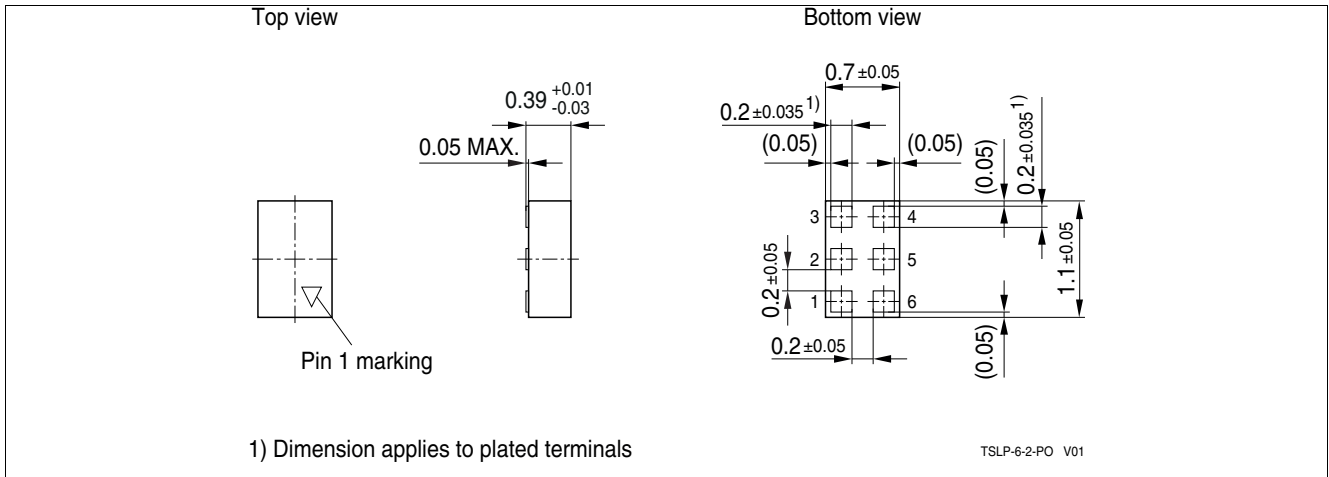


Figure 5 TSLP-6-2 Package Outline (top, side and bottom views)

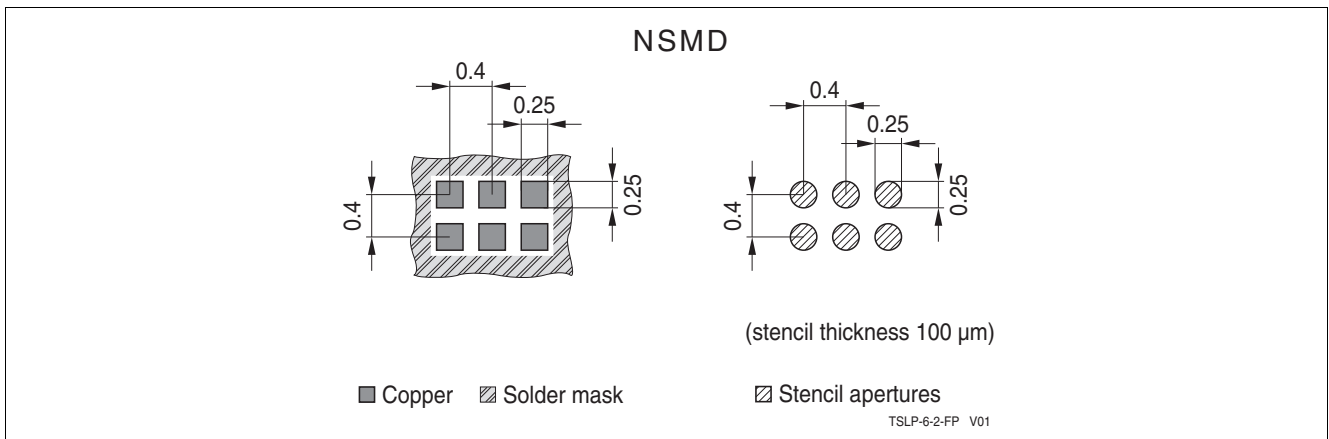


Figure 6 Footprint TSLP-6-2

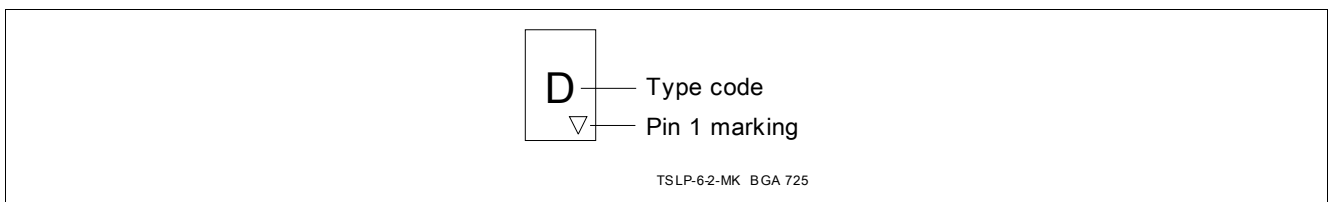


Figure 7 Marking Layout (top view)

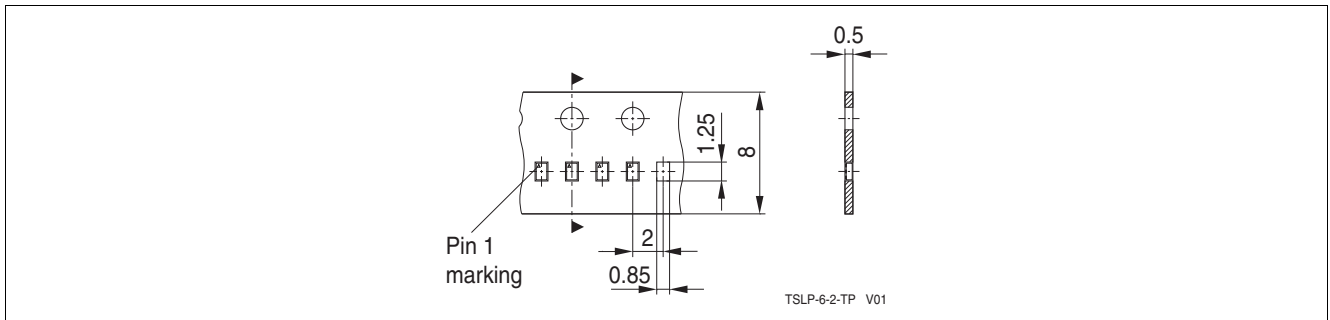


Figure 8 Tape & Reel Dimensions (reel diameter 180 mm, pieces/reel 15000)

www.infineon.com

Published by Infineon Technologies AG