



Chipsmall Limited consists of a professional team with an average of over 10 year of expertise in the distribution of electronic components. Based in Hongkong, we have already established firm and mutual-benefit business relationships with customers from,Europe,America and south Asia,supplying obsolete and hard-to-find components to meet their specific needs.

With the principle of “Quality Parts,Customers Priority,Honest Operation,and Considerate Service”,our business mainly focus on the distribution of electronic components. Line cards we deal with include Microchip,ALPS,ROHM,Xilinx,Pulse,ON,Everlight and Freescale. Main products comprise IC,Modules,Potentiometer,IC Socket,Relay,Connector.Our parts cover such applications as commercial,industrial, and automotives areas.

We are looking forward to setting up business relationship with you and hope to provide you with the best service and solution. Let us make a better world for our industry!



## Contact us

Tel: +86-755-8981 8866 Fax: +86-755-8427 6832

Email & Skype: info@chipsmall.com Web: www.chipsmall.com

Address: A1208, Overseas Decoration Building, #122 Zhenhua RD., Futian, Shenzhen, China



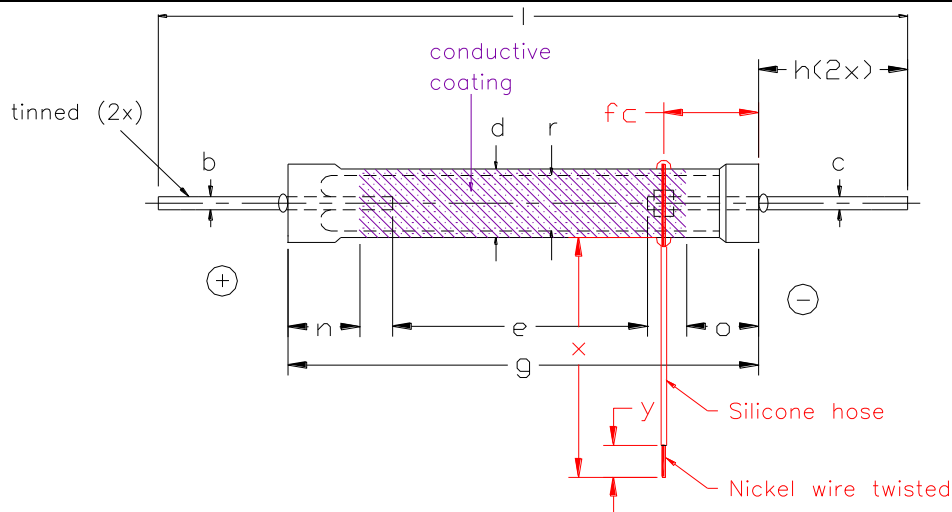
**Device Name:** BGGP 6330 (N)(H)

**Date :** 08/20/2015

**Mechanical Data :**

**Rev Date : Index #:**

**ISSUED BY :** Zhan Sam



e	30+/-1	b	1.2+/-0.1	x	50+/-5
g	44.5+/-1	c	0.8+/-0.1	y	6+/-3
l	50.5+/-1	n/o	4.0+/-0.8		
d	4.0+/-0.2	fc	6.0+/-1		
r	2.4+/-0.1	h	3+/-1		

**Without Colour Corrective Coating:**

Remarks : Envelop material: B2  
RoHS complaints  
Excelitas bau#: 96324720

**Operating Data :**

**Type of Circuit : Doubler**

Max flash energy Emax/Ws	49	Trigger coil Tr	ZS 1052(H)
Nom flash energy Enom/Ws		Trigger capacitor Cz/μF	0.22
Max anode voltage Uamax/V	350	Min trigger voltage Uzmin/V	250
Nom anode voltage Uanom/V	325	Trigger contact S	SCR
Min anode voltage Uamin/V	300	Repetition rate /Frequency	5 sec
Nom flash capacitor CB/μF	800	Life/Number of flashes/N	*TBD
Series resistor R/m W		Light reduction after life/%	< 10
Series inductance L/μH		Sec trigger voltage Uzsec/kV	- 10.8
Max Ipeak /A at Ua =			

Customer Reference :

Remarks : \*life @ Enom, Treq=5 sec, life flashes is to be determined

Excelitas Proprietary & Confidential

HS-DDC-H24-0003  
Excelitas  
www.excelitas.com