



Chipsmall Limited consists of a professional team with an average of over 10 year of expertise in the distribution of electronic components. Based in Hongkong, we have already established firm and mutual-benefit business relationships with customers from,Europe,America and south Asia,supplying obsolete and hard-to-find components to meet their specific needs.

With the principle of “Quality Parts,Customers Priority,Honest Operation,and Considerate Service”,our business mainly focus on the distribution of electronic components. Line cards we deal with include Microchip,ALPS,ROHM,Xilinx,Pulse,ON,Everlight and Freescale. Main products comprise IC,Modules,Potentiometer,IC Socket,Relay,Connector.Our parts cover such applications as commercial,industrial, and automotives areas.

We are looking forward to setting up business relationship with you and hope to provide you with the best service and solution. Let us make a better world for our industry!



## Contact us

Tel: +86-755-8981 8866 Fax: +86-755-8427 6832

Email & Skype: info@chipsmall.com Web: www.chipsmall.com

Address: A1208, Overseas Decoration Building, #122 Zhenhua RD., Futian, Shenzhen, China



# BGM1043N7

GPS and GLONASS Front-End Module

## Data Sheet

Revision 3.0, 2012-06-20

**Edition 2012-06-20**

**Published by  
Infineon Technologies AG  
81726 Munich, Germany**

**© 2012 Infineon Technologies AG  
All Rights Reserved.**

### **Legal Disclaimer**

The information given in this document shall in no event be regarded as a guarantee of conditions or characteristics. With respect to any examples or hints given herein, any typical values stated herein and/or any information regarding the application of the device, Infineon Technologies hereby disclaims any and all warranties and liabilities of any kind, including without limitation, warranties of non-infringement of intellectual property rights of any third party.

### **Information**

For further information on technology, delivery terms and conditions and prices, please contact the nearest Infineon Technologies Office ([www.infineon.com](http://www.infineon.com)).

### **Warnings**

Due to technical requirements, components may contain dangerous substances. For information on the types in question, please contact the nearest Infineon Technologies Office.

Infineon Technologies components may be used in life-support devices or systems only with the express written approval of Infineon Technologies, if a failure of such components can reasonably be expected to cause the failure of that life-support device or system or to affect the safety or effectiveness of that device or system. Life support devices or systems are intended to be implanted in the human body or to support and/or maintain and sustain and/or protect human life. If they fail, it is reasonable to assume that the health of the user or other persons may be endangered.



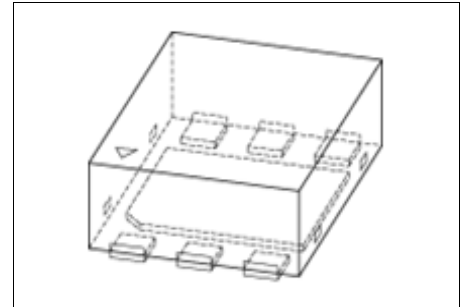
## Table of Contents

	<b>Table of Contents</b> .....	4
<b>1</b>	<b>Features</b> .....	5
<b>2</b>	<b>Electrical Characteristics</b> .....	7
2.1	Absolute Maximum Ratings .....	7
2.2	ESD Integrity .....	8
2.3	RF Characteristics .....	9
<b>3</b>	<b>Application Circuit and Block Diagram</b> .....	11
3.1	Application Circuit Schematic .....	11
3.2	Pin Description .....	12
3.3	Application Board .....	13
<b>4</b>	<b>Package Information</b> .....	14
4.1	Package Footprint .....	14
4.2	Package Dimensions .....	15
4.3	Product Marking Pattern .....	15
<b>5</b>	<b>Packing Information</b> .....	16

## 1 Features

Main features:

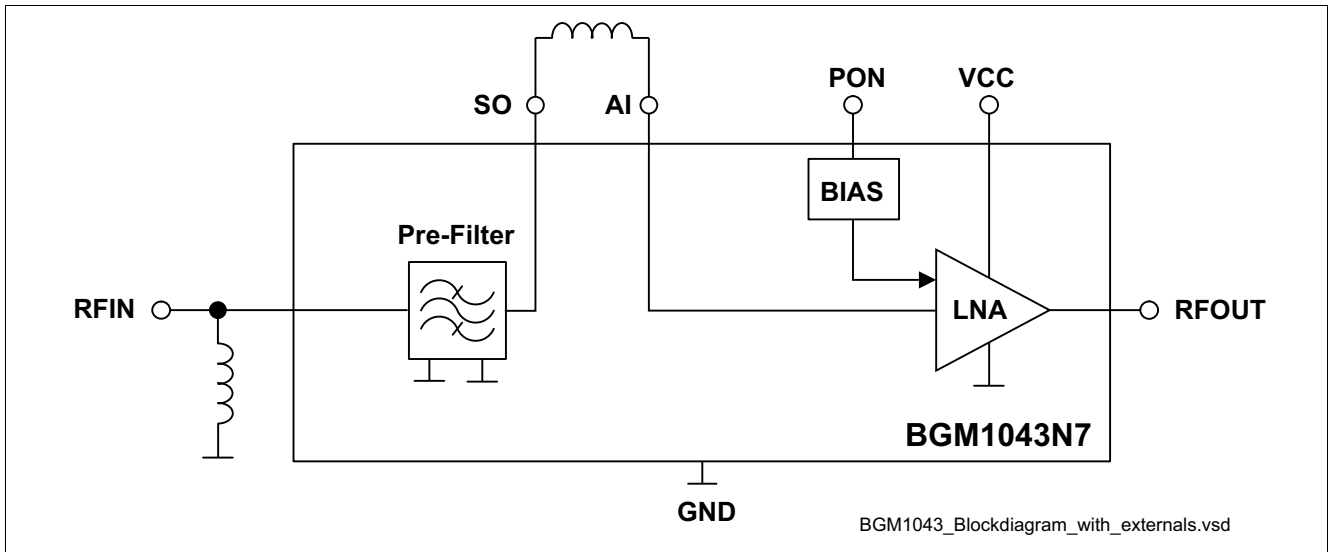
- Operating frequencies: 1575.42 MHz and 1598.06-1605.38 MHz
- High Gain (GPS): 15.1 dB
- Low Noise Figure (GPS): 1.5 dB
- Low current consumption: 4.0 mA
- Out-of-band rejection in cellular bands: > 43 dBc
- Input compression point in cellular bands: 30 dBm
- Supply voltage: 1.5 V to 3.6 V
- Tiny TSNP-7-10 leadless package (2.3 x 1.7 x 0.73 mm<sup>3</sup>)
- RF output internally matched to 50 Ω
- IEC ESD contact discharge of RF input pin: 6 kV
- Only 3 external SMD parts
- RoHS compliant package (Pb-free)



### Description

The BGM1043N7 is a combination of a low-insertion-loss pre-filter with Infineon's high performance low noise amplifier (LNA) for Global Positioning System (GPS) and Globalnaya Navigatsionnaya Sputnikovaya Sistema (GLONASS) applications. Both, GPS and GLONASS frequency bands, can be used at the same time. Through the low insertion loss of the filter, the BGM1043N7 provides 15.1 dB gain, 1.5 dB noise figure and high linearity performance. In addition BGM1043N7 provides very high out-of-band attenuation in conjunction with a high input compression point. It can withstand IEC ESD contact discharge at the RF input as high as 6 kV. Its current consumption is as low as 4.0 mA. It operates over the 1.5 V to 3.6 V supply voltage range.

Product Name	Package	Marking
BGM1043N7	TSNP-7-10	M43



**Figure 1** Block Diagram with Main External Components

## 2 Electrical Characteristics

### 2.1 Absolute Maximum Ratings

**Table 1 Absolute Maximum Ratings**

Parameter	Symbol	Values			Unit	Note / Test Condition
		Min.	Typ.	Max.		
Voltage at pin PON to GND	$V_{PON}$	-0.3	–	3.6	V	–
Voltage at pin VCC to GND	$V_{CC}$	-0.3	–	3.6	V	–
Voltage at pin RFIN to GND	$V_{RFIN}$	-3	–	3	V	–
Voltage at pin SO to GND	$V_{BO}$	-3	–	3	V	–
Voltage at pin AI to GND	$V_{AI}$	-0.3	–	0.75	V	–
Voltage at pin RFOUT to GND	$V_{RFOUT}$	-0.3	–	$V_{CC}+0.3$	V	–
Current into pin VCC	$I_{VCC}$	–	–	25	mA	–
RF input power inband	$P_{IN}$	–	–	0	dBm	Continuous wave signal $f = 1575.42$ MHz 50 $\Omega$ source and load impedances
RF input power out of band	$P_{IN,OB}$	–	–	25	dBm	Continuous wave signal $f = 50 - 1460$ MHz and 1710 - 4000 MHz 50 $\Omega$ source and load impedances
Total power dissipation	$P_{tot}$	–	–	90	mW	–
Junction temperature	$T_J$	–	–	150	°C	–
Ambient temperature range	$T_A$	-40	–	85	°C	–
Storage temperature range	$T_{stg}$	-65	–	150	°C	–

**Attention: Stresses above the max. values listed here may cause permanent damage to the device. Exposure to absolute maximum rating conditions for extended periods may affect device reliability. Maximum ratings are absolute ratings; exceeding only one of these values may cause irreversible damage to the integrated circuit.**



## 2.2 ESD Integrity

**Table 2 ESD Integrity**

Parameter	Symbol	Values			Unit	Note / Test Condition
		Min.	Typ.	Max.		
ESD capability HBM of pins 1, 2, 5 and 6	$V_{ESD1}$	–	–	2	kV	According to JESD22-A114
ESD capability HBM of pins 3 and 4	$V_{ESD2}$	–	–	300	V	According to JESD22-A114
ESD contact discharge capability of RF input pin 3	$V_{ESD3}$	–	–	6	kV	According to IEC61000-4-2
ESD capability MM of RF input pin 3 and pre-filter output pin 4	$V_{ESD4}$	–	–	50	V	According to JESD22-A115

## 2.3 RF Characteristics

**Table 3 Typical Characteristics:  $T_A = 25\text{ °C}$ ,  $V_{CC} = 2.7\text{ V}$ ,  $V_{PON,ON} = 2.7\text{ V}$ ,  $V_{PON,OFF} = 0\text{ V}$ <sup>1)</sup>**

Parameter	Symbol	Values			Unit	Note / Test Condition
		Min.	Typ.	Max.		
Supply Voltage	$V_{CC}$	1.5	2.7	3.6	V	–
Supply Current	$I_{CC}$	–	4.0	–	mA	ON-Mode
		–	0.2	3	μA	OFF-Mode
Power On Control Voltage	$V_{PON}$	1.0	–	$V_{CC}$	V	ON-Mode
		0	–	0.4	V	OFF-Mode
Power On Control Current	$I_{PON}$	–	9.5	–	μA	ON-Mode
		–	–	1	μA	OFF-Mode
Power Gain Settling Time <sup>2)</sup>	$t_S$	–	5	–	μs	OFF- to ON-Mode
		–	5	–	μs	ON- to OFF-mode
<b>Passband Parameters @ <math>f = 1575.42, 1598.06</math>- <math>1605.38\text{ MHz}</math></b>	–	–	–	–	–	–
Insertion Power Gain GPS	$ S_{21} ^2$	–	15.1	–	dB	$f = 1575.42\text{ MHz}$
Insertion Power Gain GLONASS	$ S_{21} ^2$	–	14.6	–	dB	$f = 1598.06$ - $1605.38\text{ MHz}$
Noise Figure GPS <sup>3)</sup>	$NF$	–	1.5	2.0	dB	$Z_S = 50\ \Omega$ $f = 1575.42\text{ MHz}$
Noise Figure GLONASS <sup>3)</sup>	$NF$	–	1.85	2.4	dB	$Z_S = 50\ \Omega$ $f = 1598.06$ - $1605.38\text{ MHz}$
Input Return Loss	$RL_{IN}$	–	15	–	dB	–
Output Return Loss	$RL_{OUT}$	–	15	–	dB	–
Reverse Isolation	$1/ S_{12} ^2$	–	22	–	dB	–
Inband Input 3rd Order Intercept Point	$IIP_3$	–	-6	–	dBm	$f_1 = 1575.42\text{ MHz}$ $f_2 = f_1 + 1\text{ MHz}$
Inband Input 1 dB Compression Point	$IP_{1dB}$	–	-6	–	dBm	$f_1 = 1575.42\text{ MHz}$
Out-of-band 3rd Order Intercept Point <sup>4)</sup>	$IIP_{3OOB}$	–	60	–	dBm	$f_1 = 1712.7\text{ MHz}$ $f_2 = 1850\text{ MHz}$
Out-of-band Input 1 dB Compression Point <sup>5)</sup>	$IP_{1dB\_900M}$	–	30	–	dBm	$f_1 = 900\text{ MHz}$
Out-of-band Input 1 dB Compression Point <sup>5)</sup>	$IP_{1dB\_1710M}$	–	30	–	dBm	$f_1 = 1710\text{ MHz}$
<b>Stopband Parameters</b>	–	–	–	–	–	–
Rejection <sup>6)</sup>	$Rej_{750M}$	–	54	–	dBc	$f = 750\text{ MHz}$
Rejection <sup>6)</sup>	$Rej_{900M}$	–	53	–	dBc	$f = 806\text{ MHz} - 928\text{ MHz}$
Rejection <sup>6)</sup>	$Rej_{1800M}$	–	43	–	dBc	$f = 1710\text{ MHz} - 1980\text{ MHz}$

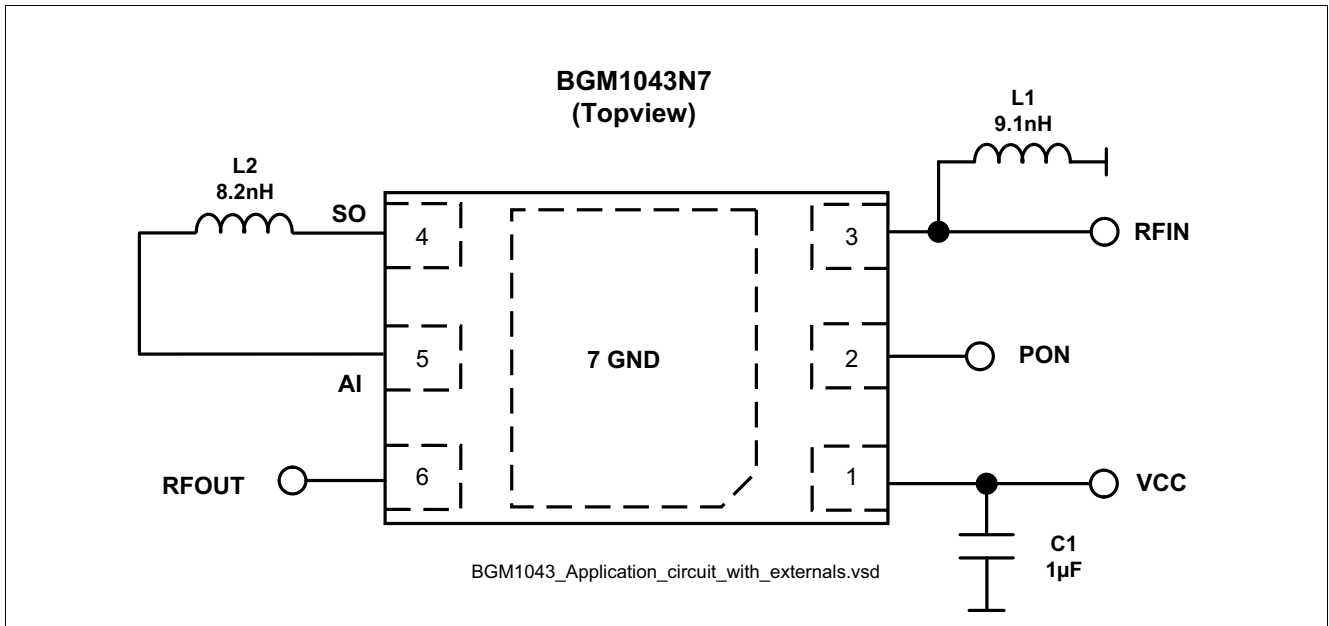
**Table 3** Typical Characteristics:  $T_A = 25\text{ °C}$ ,  $V_{CC} = 2.7\text{ V}$ ,  $V_{PON,ON} = 2.7\text{ V}$ ,  $V_{PON,OFF} = 0\text{ V}$ <sup>1)</sup>

Parameter	Symbol	Values			Unit	Note / Test Condition
		Min.	Typ.	Max.		
Rejection <sup>6)</sup>	$Rej_{2400M}$	–	54	–	dBc	$f = 2400\text{ MHz} - 2500\text{ MHz}$
Stability	$k$	–	>1	–	–	$f = 20\text{ MHz} - 20\text{ GHz}$

- 1) Measured on application board including PCB losses (unless noted otherwise)
- 2) To be within 1 dB of the final gain OFF- to ON-mode; to be within 3 dB of the final gain ON- to OFF-mode
- 3) PCB and connector losses subtracted, verified on AQL base
- 4) Input power = +10 dBm for each tone
- 5) Guaranteed by device design, not measured in production
- 6) Rejection =  $|1/|S_{21}|^2 \text{ at stopband frequency}| + |1/|S_{21}|^2 \text{ at } 1575.42\text{ MHz}|$

### 3 Application Circuit and Block Diagram

#### 3.1 Application Circuit Schematic



**Figure 2 Application Circuit with Chip Outline (top view)**

**Table 4 Parts List**

Part Number	Part Type	Manufacturer	Size	Comment
C1	Chip capacitor	Various	0402	Supply filtering
L1	Chip inductor	muRata LQW15A	0402	Matching + ESD protection inductor
L2	Chip inductor	muRata LQW15A	0402	Input Matching
N1	BGM1043N7	Infineon	TSNP-7-10	GPS FE-Module

### 3.2 Pin Description

**Table 5 Pin Definition and Function**

<b>Pin No.</b>	<b>Name</b>	<b>Pin Type</b>	<b>Buffer Type</b>	<b>Function</b>
1	VCC			<b>Power Supply</b>
2	PON			<b>Power On/Off</b>
3	RFIN			<b>RF Input</b>
4	SO			<b>Pre-Filter Output</b>
5	AI			<b>LNA Input</b>
6	RFOUT			<b>RF Output</b>
7	GND			<b>DC and RF ground</b>

### 3.3 Application Board

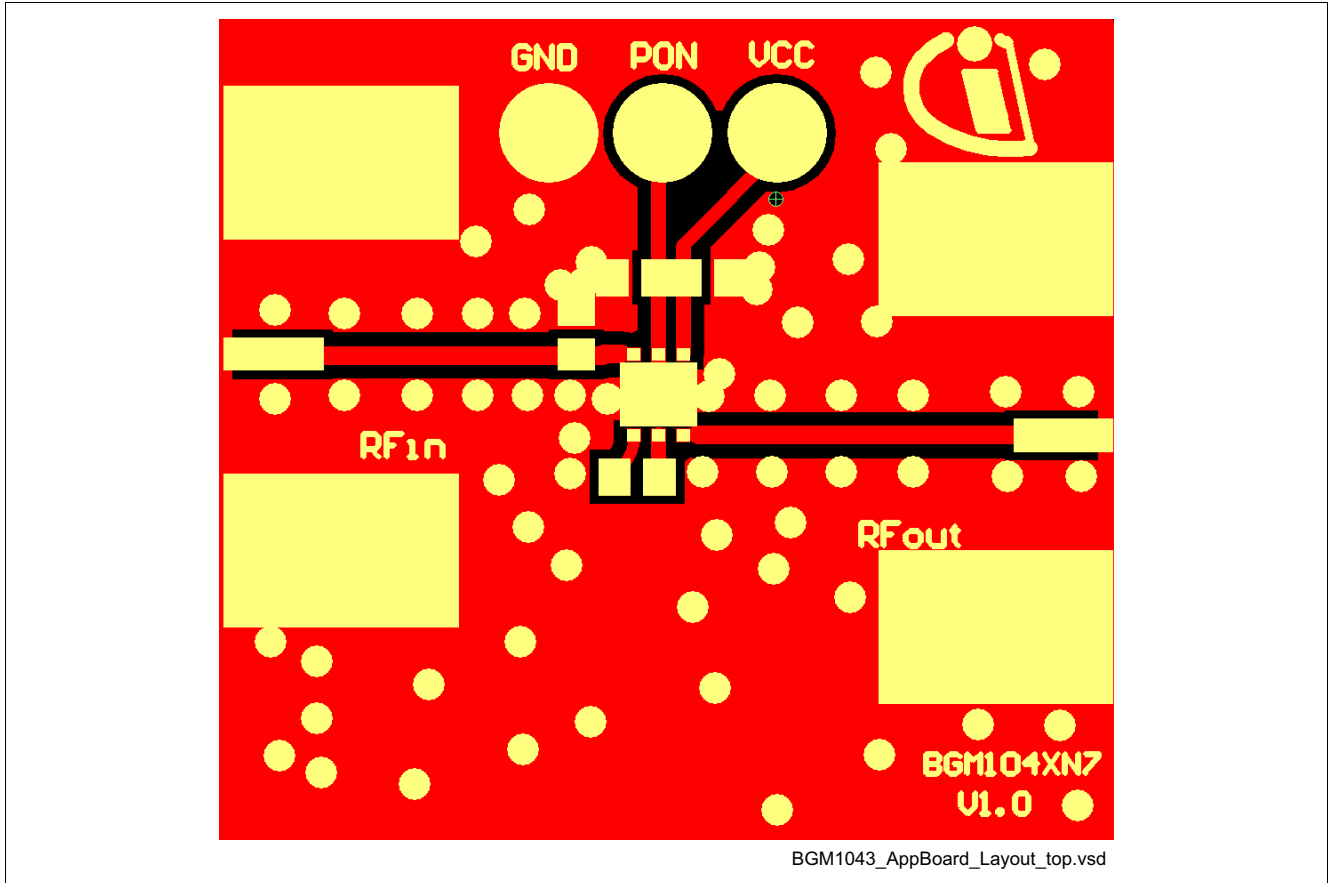


Figure 3 Top view of Application Board

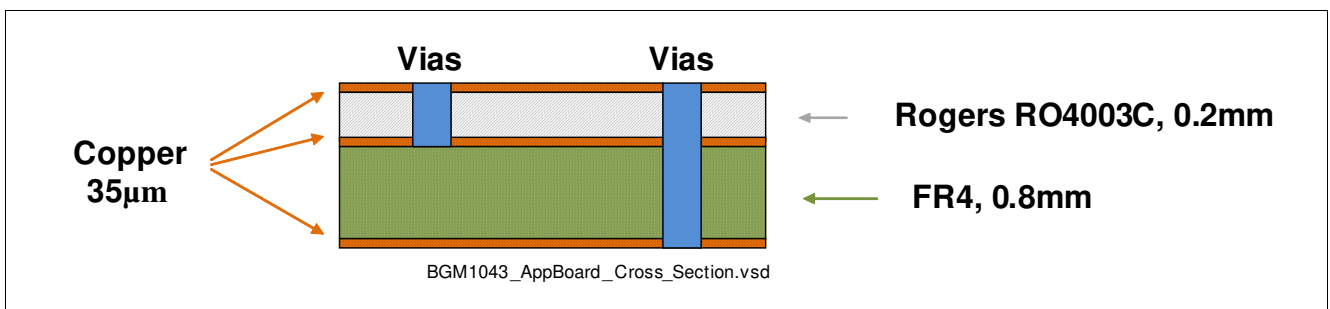


Figure 4 Cross-Section view of Application Board

## 4 Package Information

### 4.1 Package Footprint

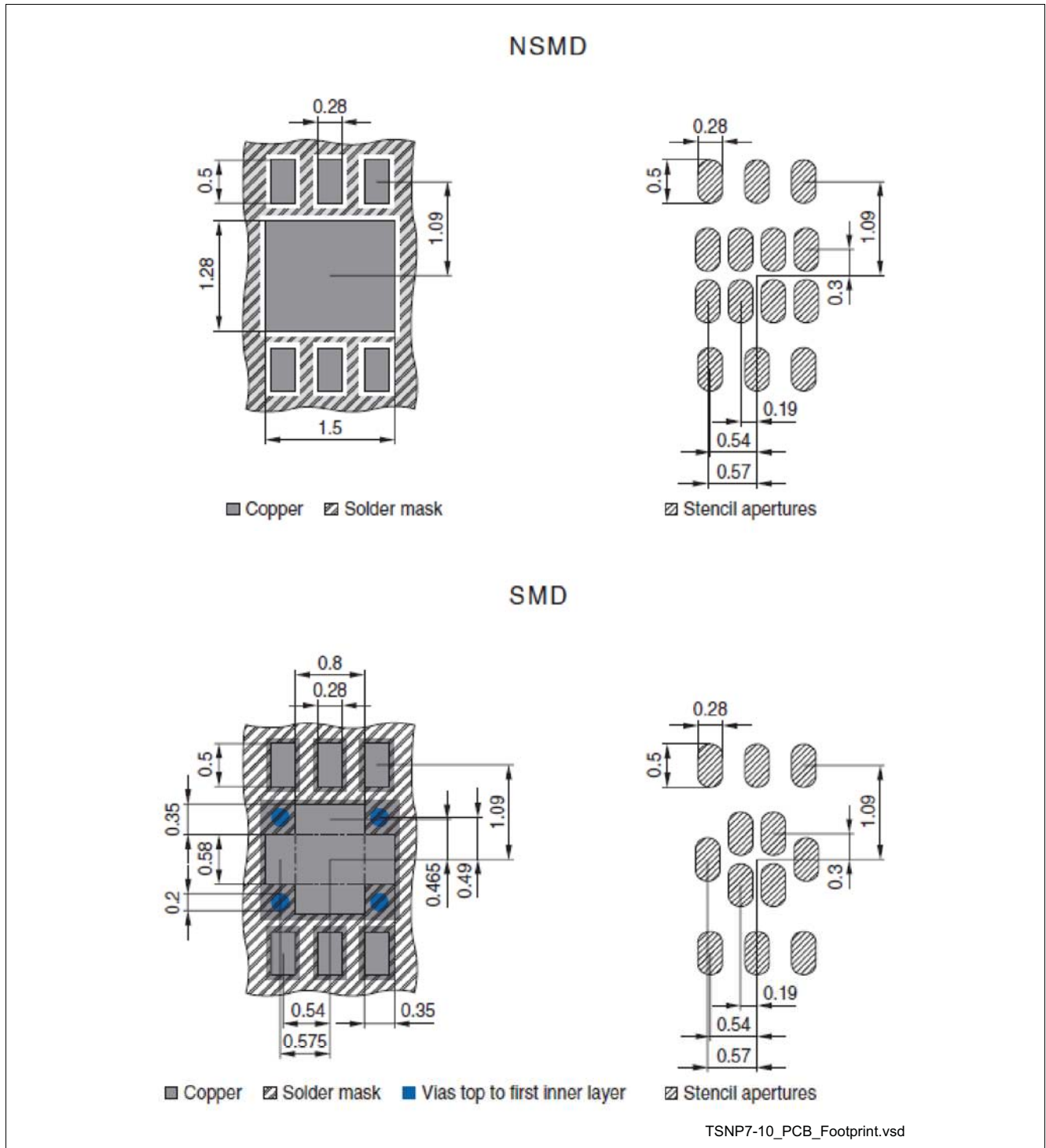
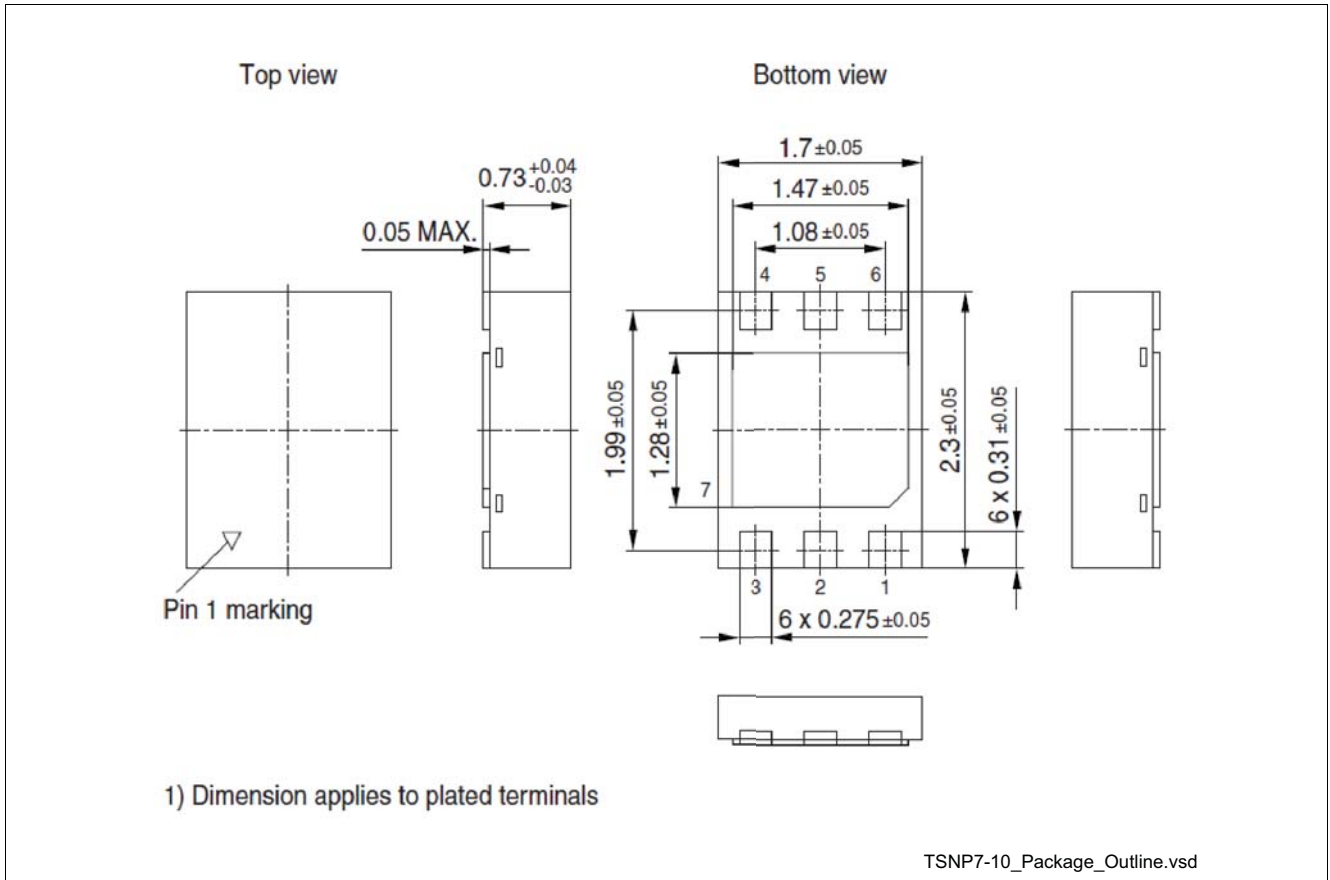


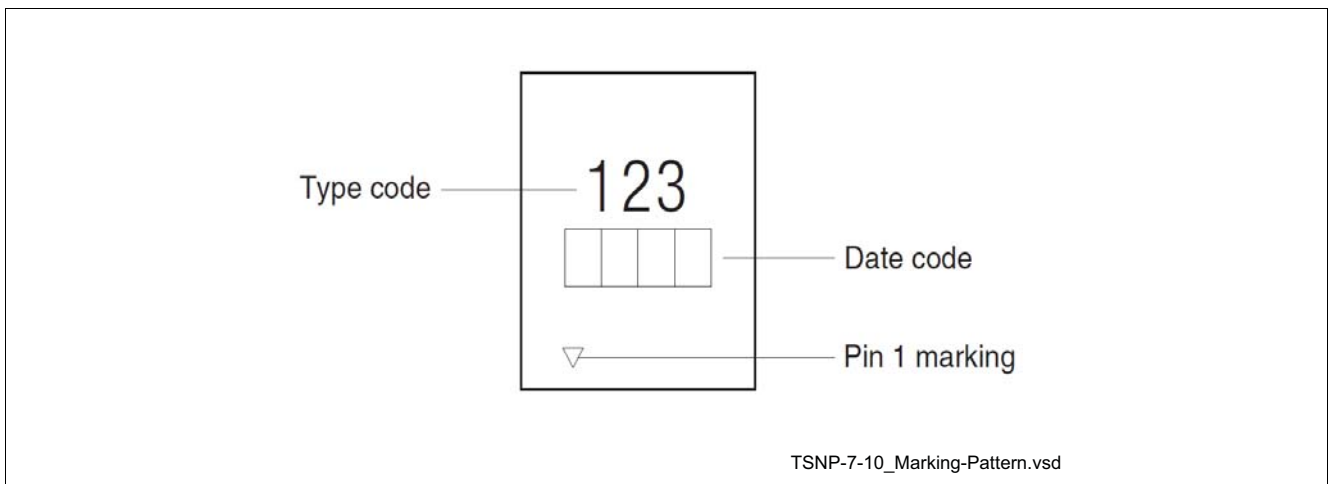
Figure 5 Recommended PCB Footprint for the TSNP-7-10 Package (subject to be changed)

## 4.2 Package Dimensions



**Figure 6** TSNP-7-10 Package Outline (bottom and side views)

## 4.3 Product Marking Pattern



**Figure 7** Marking Pattern (top view)



## 5 Packing Information

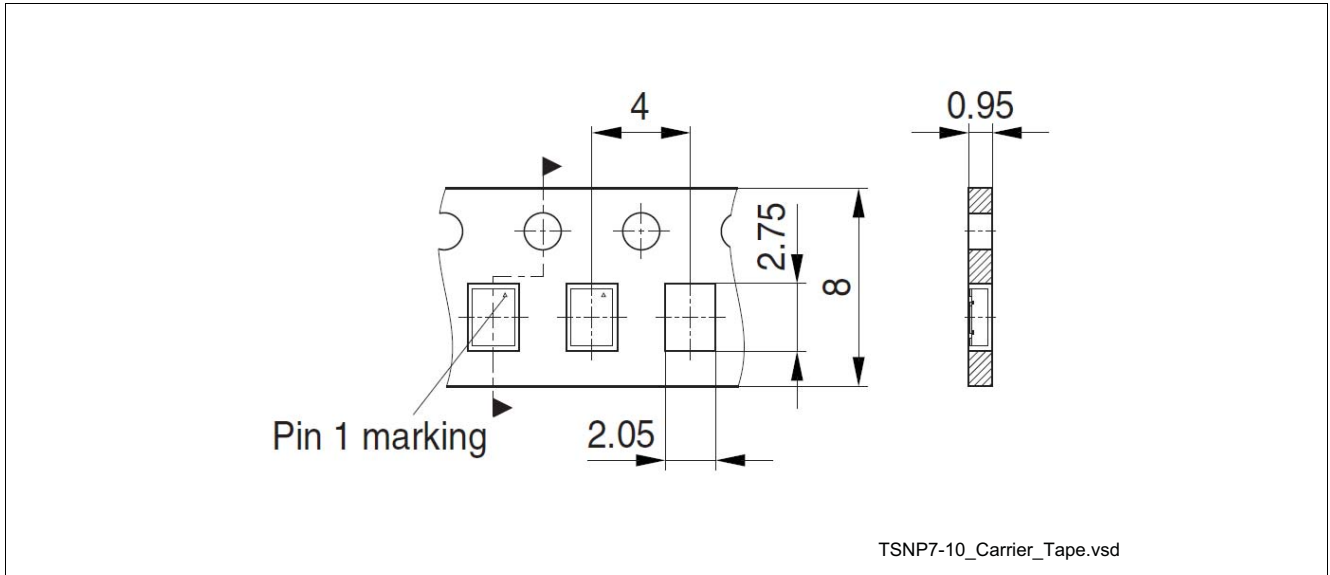


Figure 8 TSNP-7-10 Carrier tape

[www.infineon.com](http://www.infineon.com)

Published by Infineon Technologies AG