



Chipsmall Limited consists of a professional team with an average of over 10 year of expertise in the distribution of electronic components. Based in Hongkong, we have already established firm and mutual-benefit business relationships with customers from,Europe,America and south Asia,supplying obsolete and hard-to-find components to meet their specific needs.

With the principle of “Quality Parts,Customers Priority,Honest Operation,and Considerate Service”,our business mainly focus on the distribution of electronic components. Line cards we deal with include Microchip,ALPS,ROHM,Xilinx,Pulse,ON,Everlight and Freescale. Main products comprise IC,Modules,Potentiometer,IC Socket,Relay,Connector.Our parts cover such applications as commercial,industrial, and automotives areas.

We are looking forward to setting up business relationship with you and hope to provide you with the best service and solution. Let us make a better world for our industry!



## Contact us

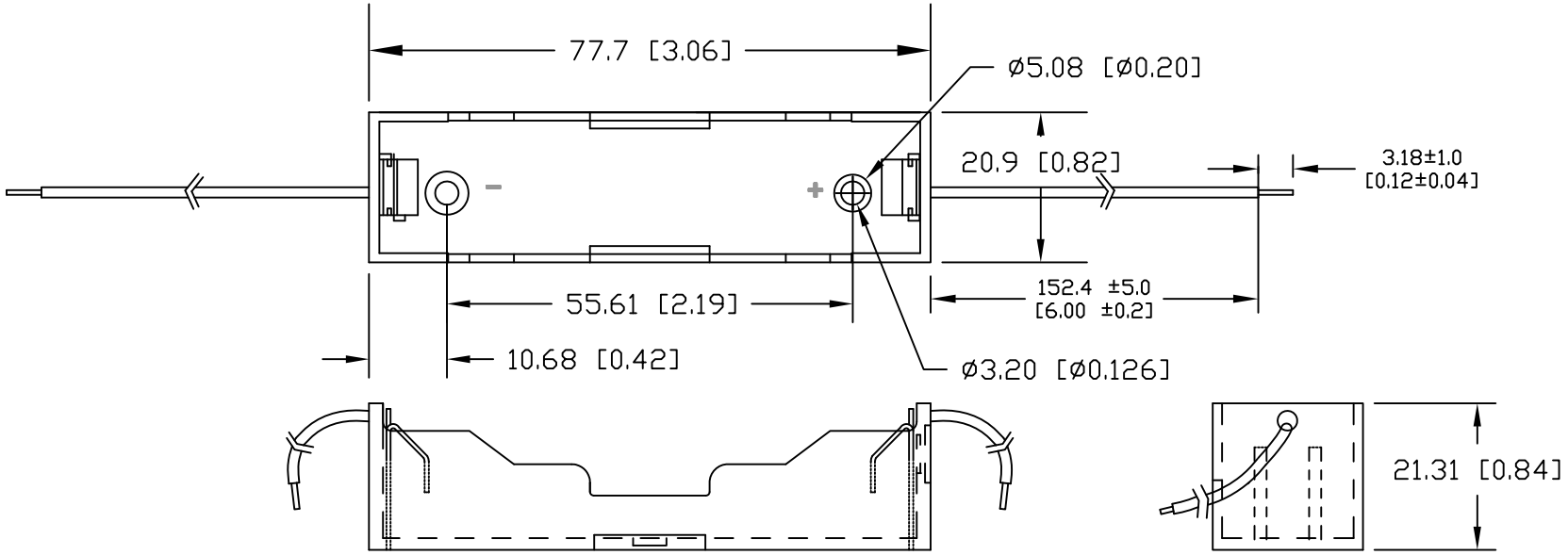
Tel: +86-755-8981 8866 Fax: +86-755-8427 6832

Email & Skype: info@chipsmall.com Web: www.chipsmall.com

Address: A1208, Overseas Decoration Building, #122 Zhenhua RD., Futian, Shenzhen, China




Date	SYM	REVISION RECORD	AUTH	DR.	CK.
09/16/11	A	UPDATED NOTES	T.B.	B.S.	



**NOTES:**

Material: Self-extinguishing Thermoplastic Polyester, color black  
 Temperature Range: -40°C to +180°C  
 Contacts: 302 Stainless Steel Spring Temper, Nickel Plated  
 Flamability Rating: UL 94V-0  
 Dielectric Strength: 560 Volts/Mil. at 25°C for 5 Sec.  
 Resistance to Solvents: Xylene, ethyl, butyl, methyl & toluene  
 Weight: 12.67g.  
 ROHS COMPLIANT

Tolerance (Inches)	 <b>Memory Protection Devices, Inc</b> 200 Broad Hollow Road, Farmingdale, New York 11735		
Decimal ±.5 (.020)		Scale	Drawn By B.S.
Fractional ±.8 (.030)	Title ONE 18650 LI-ION CELL HOLDER		
Angular ± 3°	Date 09/16/11	Drawing Number BH-18650-W	
		Approved By T.B.	