



Chipsmall Limited consists of a professional team with an average of over 10 year of expertise in the distribution of electronic components. Based in Hongkong, we have already established firm and mutual-benefit business relationships with customers from,Europe,America and south Asia,supplying obsolete and hard-to-find components to meet their specific needs.

With the principle of "Quality Parts,Customers Priority,Honest Operation,and Considerate Service",our business mainly focus on the distribution of electronic components. Line cards we deal with include Microchip,ALPS,ROHM,Xilinx,Pulse,ON,Everlight and Freescale. Main products comprise IC,Modules,Potentiometer,IC Socket,Relay,Connector.Our parts cover such applications as commercial,industrial, and automotives areas.

We are looking forward to setting up business relationship with you and hope to provide you with the best service and solution. Let us make a better world for our industry!



Contact us

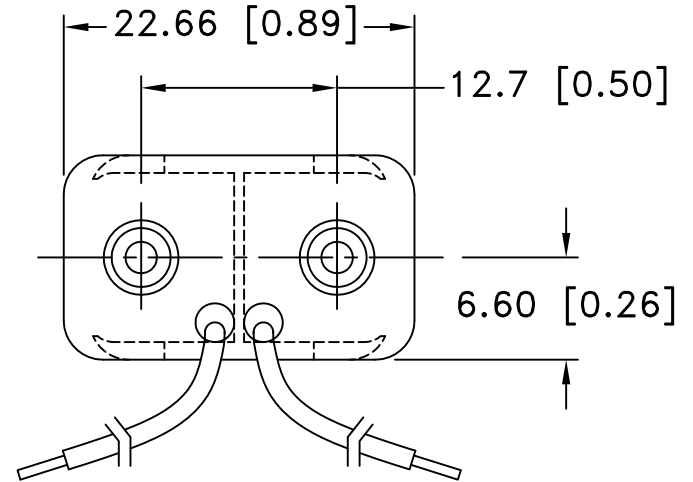
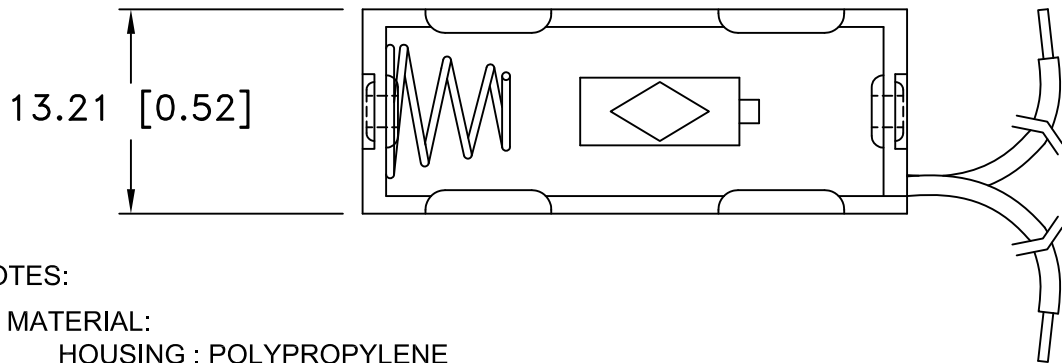
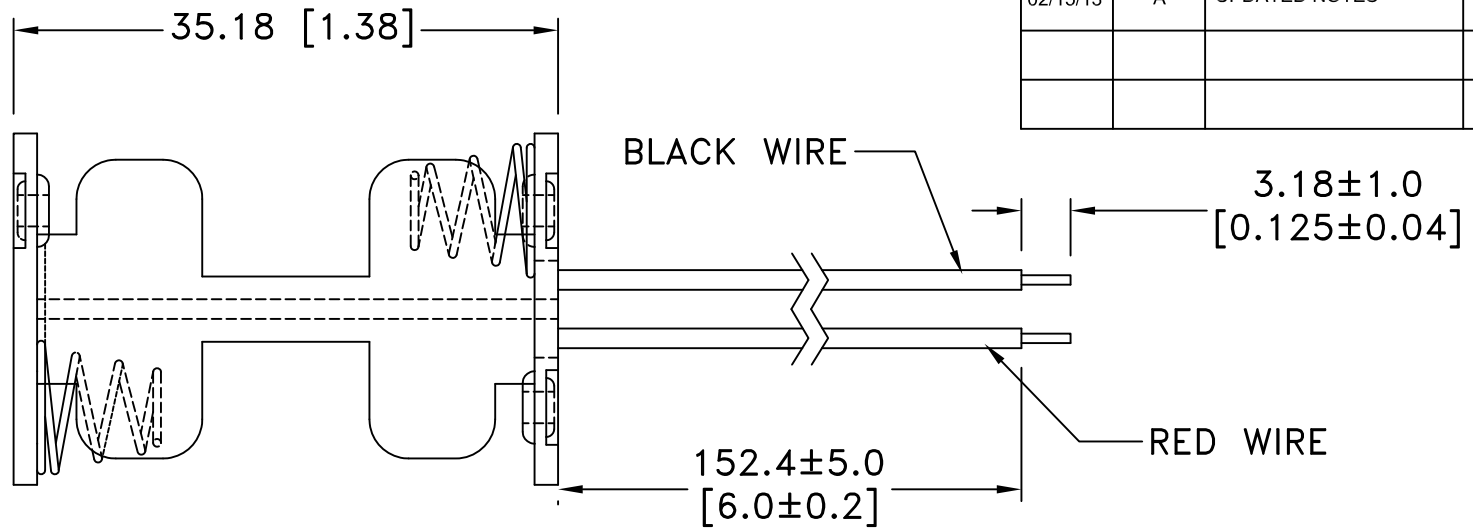
Tel: +86-755-8981 8866 Fax: +86-755-8427 6832

Email & Skype: info@chipsmall.com Web: www.chipsmall.com

Address: A1208, Overseas Decoration Building, #122 Zhenhua RD., Futian, Shenzhen, China



Date	SYM	REVISION RECORD	AUTH	DR.	CK.
02/15/13	A	UPDATED NOTES	T.B.	B.S.	




NOTES:

1. MATERIAL:

- HOUSING : POLYPROPYLENE
- FLAMMABILITY RATING: UL94 HB, UL FILE NO. E216959
- TEMPRATURE RANGE: -10°C TO +100°C
- RIVETS: BRASS, NICKLE PLATED.
- SPRING: SPRING STEEL, NICKLE PLATED.
- PC PINS: STEEL, TIN PLATED
- CONTACT RESISTANCE: UNDER 50m Ω FOR ± CONTACTS PER EIA-540J000
- ROHS COMPLIANT

MOUNTING INSTRUCTION:

- USE 2-56 MACHINE SCREWS OR EYELETS 0.089" OD BY 0.15" FLANGE STIMPSON GS-3 SERIES OR EQUIVALENT.
- ALSO ADHESIVES AND DOUBLE SIDED TAPES WORK WELL.

Tolerance (Except as noted)	 Memory Protection Devices, Inc 200 Broad Hollow Road, Farmingdale, New York 11735		
decimal ±.5 (.020)		Scale	Drawn By B.S.
Fractional ± .8 (.030)	Title TWO "N" CELL HOLDER		
Angular ± 3°	Date 02/15/13	Drawing Number BH12NW	
		Approved By T.B.	