



Chipsmall Limited consists of a professional team with an average of over 10 year of expertise in the distribution of electronic components. Based in Hongkong, we have already established firm and mutual-benefit business relationships with customers from,Europe,America and south Asia,supplying obsolete and hard-to-find components to meet their specific needs.

With the principle of “Quality Parts,Customers Priority,Honest Operation,and Considerate Service”,our business mainly focus on the distribution of electronic components. Line cards we deal with include Microchip,ALPS,ROHM,Xilinx,Pulse,ON,Everlight and Freescale. Main products comprise IC,Modules,Potentiometer,IC Socket,Relay,Connector.Our parts cover such applications as commercial,industrial, and automotives areas.

We are looking forward to setting up business relationship with you and hope to provide you with the best service and solution. Let us make a better world for our industry!



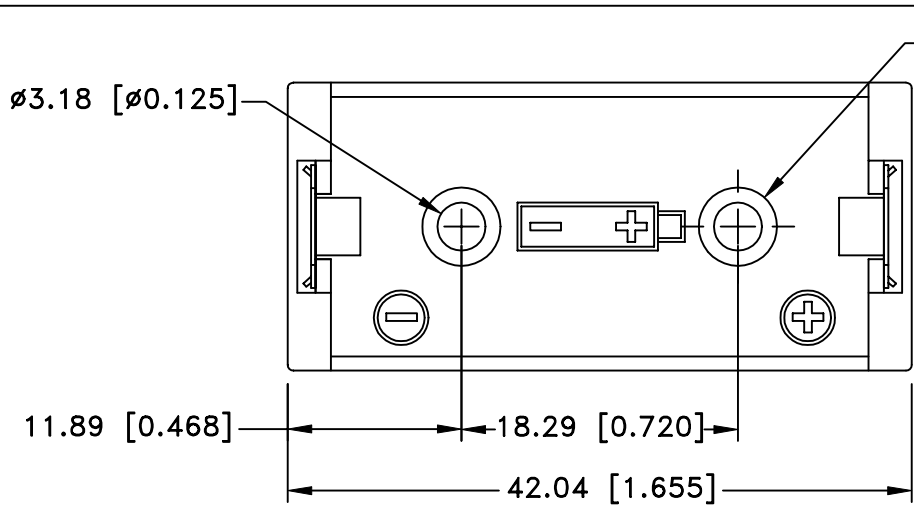
## Contact us

Tel: +86-755-8981 8866 Fax: +86-755-8427 6832

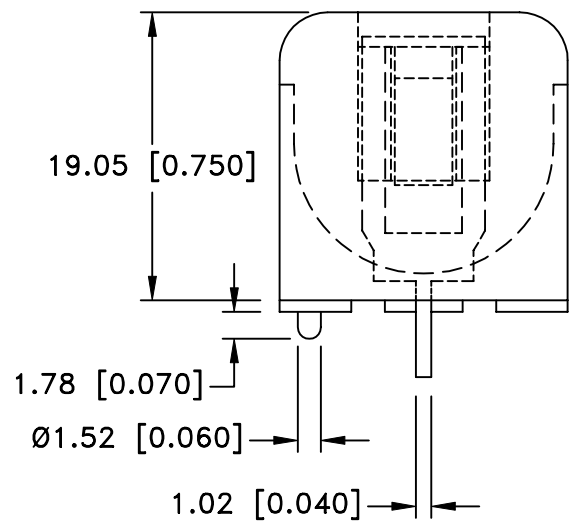
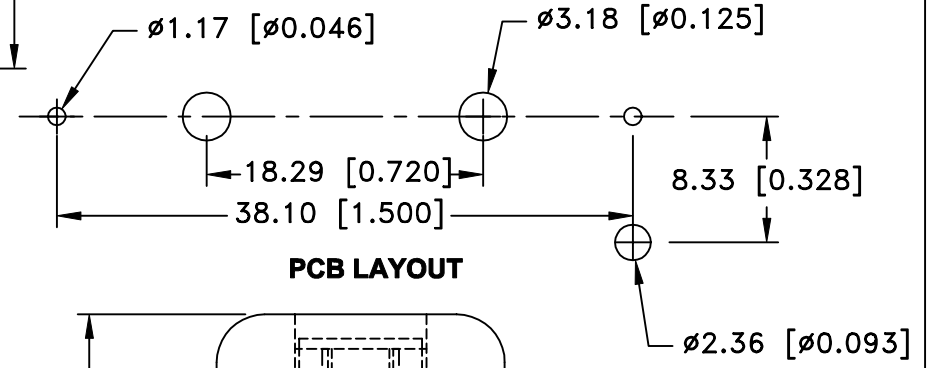
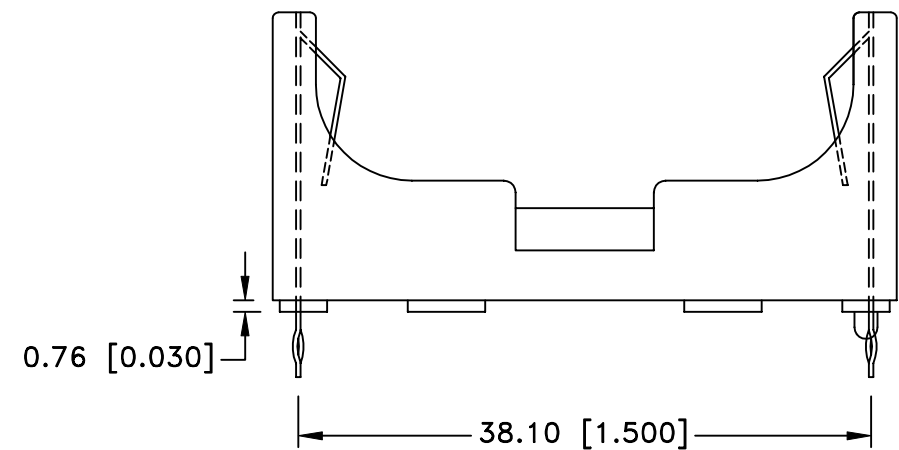
Email & Skype: info@chipsmall.com Web: www.chipsmall.com

Address: A1208, Overseas Decoration Building, #122 Zhenhua RD., Futian, Shenzhen, China






Date	SYM	REVISION RECORD	AUTH	DR.	CK.
05/03/03	A	ALL DIM. CHANGED TO 3 DECIMAL POINT	T.B.	B.S.	
07/25/03	B	CHANGED MATL. SPEC. ADDED MATERIAL ON BOTH ENDS TO CLOSE IT DIM. CHANGED	T.B.	B.S.	



**SPECIFICATIONS:**  
 HOLDER MATERIAL: SELF EXTINGVISHING THERMOPLASTIC, BLACK PBT  
 FLAMMABILITY RATING: UL94V-0, FILE #E53829  
 CONTACTS: 301 SPRING TEMPER STAINLESS STEEL, NICKLE PLATED OVERALL, SOLDER DIPPED PCB TAILS  
 DIELECTRIC STRENGTH: 560 VOLTS/MIL AT 25° C FOR 5 SEC.  
 TEMPERATURE RANGE: -55°C TO +180°C  
 RESISTANCE TO SOLVENTS: XYLENE, ETHYL, BUTYL, METHYL, PROPYL ALCOHOL, ETHYL ACETATE, HEPTANE, TOLUENE, REFRIGERANT

**NOTES:**  
 EYELET STIMPSON STYLE #A1883 0.110" OD x 0.190" FLANGE  
 FLANGE RECESS  $\phi 0.203$ " x 0.090" DEEP  
 ACCEPTS STANDARD 2-56 MACHINE SCREWS  
 ACCESSORIES: BI-UM-3-4, INSULATOR

Tolerance (Except as noted)	 <b>Memory Protection Devices, Inc</b> 200 Broad Hollow Road, Farmingdale, New York 11735	
decimal $\pm .5$ (.020)	Scale	Drawn By B.S. Approved By T.B.
Fractional $\pm .8$ (.030)	Title 2/3A BATTERY HOLDER, PCB MOUNTING	
Angular $\pm 3^\circ$	Date 07/25/03	Drawing Number BH2/3A-2