



Chipsmall Limited consists of a professional team with an average of over 10 year of expertise in the distribution of electronic components. Based in Hongkong, we have already established firm and mutual-benefit business relationships with customers from,Europe,America and south Asia,supplying obsolete and hard-to-find components to meet their specific needs.

With the principle of “Quality Parts,Customers Priority,Honest Operation,and Considerate Service”,our business mainly focus on the distribution of electronic components. Line cards we deal with include Microchip,ALPS,ROHM,Xilinx,Pulse,ON,Everlight and Freescale. Main products comprise IC,Modules,Potentiometer,IC Socket,Relay,Connector.Our parts cover such applications as commercial,industrial, and automotives areas.

We are looking forward to setting up business relationship with you and hope to provide you with the best service and solution. Let us make a better world for our industry!



## Contact us

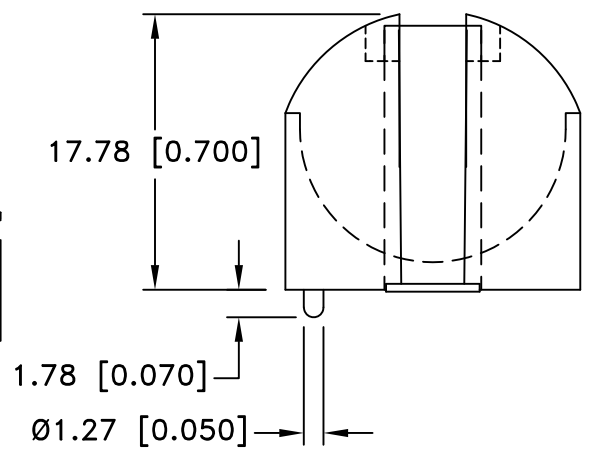
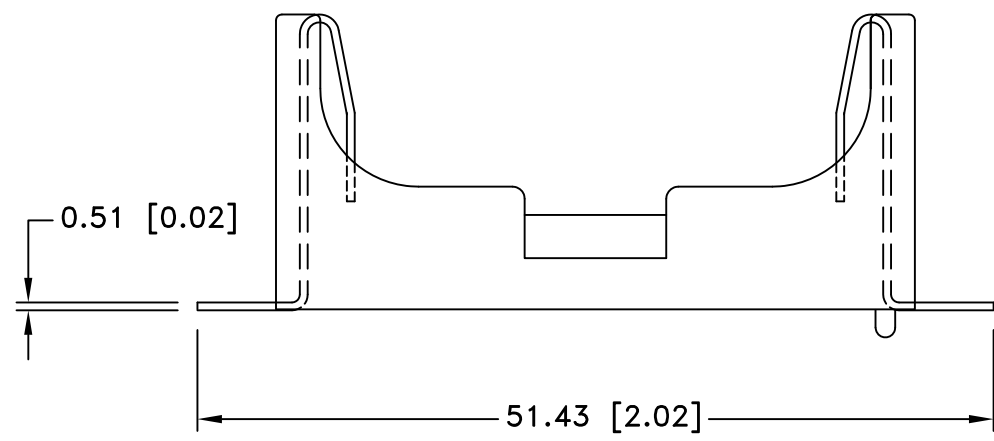
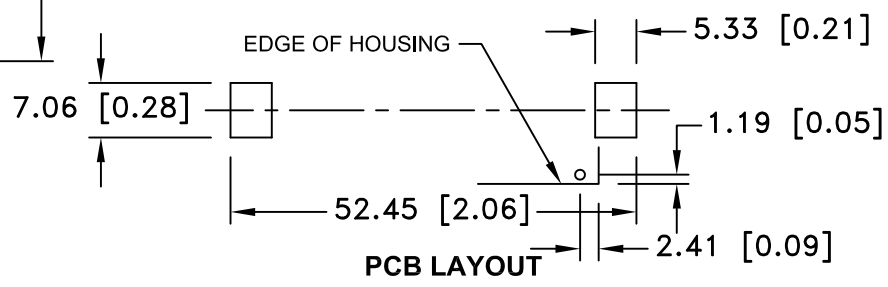
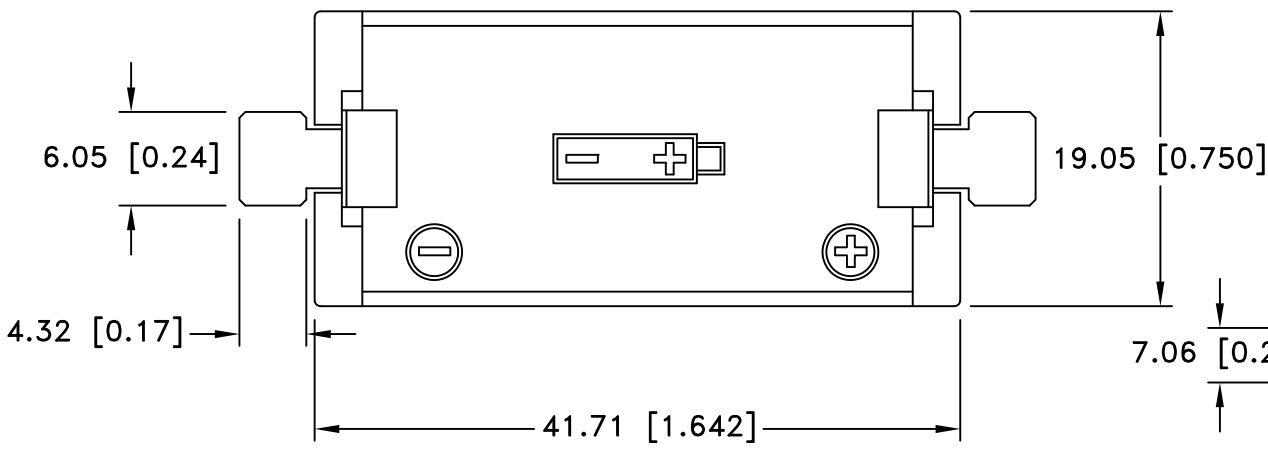
Tel: +86-755-8981 8866 Fax: +86-755-8427 6832

Email & Skype: info@chipsmall.com Web: www.chipsmall.com

Address: A1208, Overseas Decoration Building, #122 Zhenhua RD., Futian, Shenzhen, China




Date	SYM	REVISION RECORD	AUTH	DR.	CK.
5/22/09	A	ADDED TEST RESULTS	T.B.	B.S.	
9/04/09	B	ADDED PIN LOCATION	T.B.	B.S.	



**SPECIFICATIONS:**  
 HOLDER MATERIAL: NYLON 46, 30% GLASS REINFORCED  
 FLAMABILITY RATING: UL94-HB, FILE #E47960  
 CONTACTS: 301 SPRING TEMPER STAINLESS STEEL,  
 GOLD FLASH 1u -3u  
 TEMPERATURE RANGE: -40°C TO +270°C  
 \* VIBRATION TEST: 10-50-10 HZ SWEEPED IN 60 SECONDS  
 X,Y,Z DIRECTION: 1 HOUR EACH DIRECTION  
 \* RESULT: NO DISLODGE MENT OF THE CELL OR DAMAGE  
 NO DISCONTINUITY OVER 10 MICRO-SECONDS  
 \* SHOCK TEST: HALF SINE WAVE ACCELERATION 150G. 6 MICRO-SECONDS  
 3 SHOCK PULSES EACH DIRECTION PER AXIS, TOTAL OF 18 PULSES  
 \* RESULT: NO EVIDENCE OF PHYSICAL DAMAGE  
 \* DROP TEST: DROPE D FROM 1M HIGH TO CONCRETE FLOOR  
 \* RESULT: NO EVIDENCE OF PHYSICAL DAMAGE

ROHS COMPLIANT

Tolerance (Except as noted)	 <b>Memory Protection Devices, Inc</b> 200 Broad Hollow Road, Farmingdale, New York 11735	Scale	Drawn By B.S.
			Approved By T.B.
decimal ±.5 (.020)	Title 2/3A BATTERY HOLDER, PCB MOUNTING		
Fractional ± .8 (.030)		Date 9/04/09	Drawing Number BH2/3A-SM
Angular ± 3°			